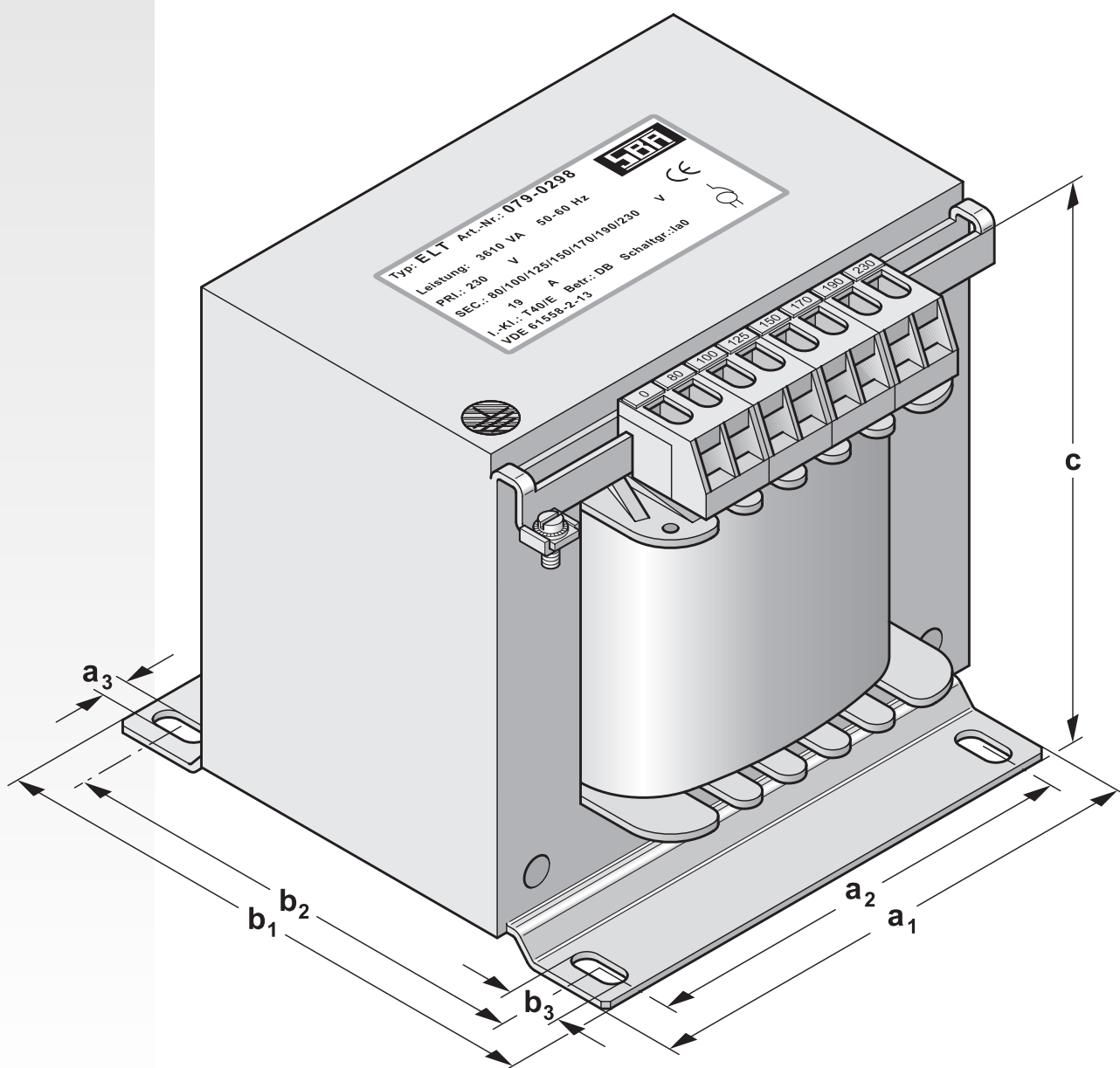


Type ELT

Single-phase fan transformers to VDE 0570-2-13 / EN 61558-2-13

Application

For speed control of fan motors by supplying variable output voltage.
Suitable for continuous service.



TYPE ELT

SINGLE-PHASE FAN TRANSFORMERS



Construction

- ➔ Open construction (IP 00, incorporation up to max. IP 23)
- ➔ Space requirement to DIN 41308
- ➔ Connection to safe-to-touch screw clamping terminals in accordance with VBG 4 with self-releasing clamp
- ➔ High-grade, tropicalized vacuum impregnations in black polyester impregnating resin
- ➔ Wear-resistant, heat, UV and solvent resistant nameplate

Specifications

| | |
|---------------------|--|
| Output range | 350 VA - 8000 VA |
| Input voltage | 230 V and 400 V |
| Output voltage | 80/.../230 V (7 steps) and. 140/.../400 V (5 steps) |
| Rated current | max. 23 A |
| Frequency | 50-60 Hz |
| Vector group | Ia0 |
| Protection class | I |
| Protection index | IP 00 |
| Insulation class | B |
| Ambient temperature | max. 40° C |

Overview

Input: 230 V

Output: 80/100/125/150/170/190/230 V

| Article no. | Output current | Total weight appr. kg | Copper weight kg | a ₁ | b ₁ | a ₂ | Dimensions | | | |
|-------------|----------------|--------------------------|------------------------|----------------|----------------|----------------|------------------------------|----------------|----------------|-----|
| | A | | | | | | b ₂ approx. mm | a ₃ | b ₃ | c |
| 041-0058 | 1.5 | 1.5 | 0.30 | 78 | 71 | 56 | 58 | 4.8 | 8 | 80 |
| 043-0398 | 2.4 | 2.0 | 0.40 | 84 | 77 | 64 | 64 | 4.8 | 8 | 86 |
| 072-0198 | 3.8 | 2.8 | 0.65 | 96 | 89 | 84 | 73 | 5.8 | 9 | 96 |
| 074-0209 | 6.0 | 4.2 | 1.05 | 120 | 93 | 90 | 74 | 5.8 | 12 | 111 |
| 076-0224 | 9.5 | 6.6 | 1.40 | 120 | 121 | 90 | 104 | 5.8 | 12 | 111 |
| 077-0238 | 12.0 | 7.7 | 2.00 | 150 | 113 | 122 | 90 | 7 | 15 | 132 |
| 078-0157 | 15.0 | 9.9 | 2.35 | 150 | 130 | 122 | 106 | 7 | 15 | 132 |
| 079-0298 | 19.0 | 13.1 | 2.50 | 150 | 155 | 122 | 133 | 7 | 15 | 132 |
| 080-0035 | 23.0 | 13.7 | 3.80 | 174 | 127 | 135 | 102 | 7 | 15 | 148 |

The values in the table above are for the thermal steady state at 40°C ambient temperature.

Input: 400 V (Use Vee connetcion in 3-phase supply mains)*

Output: 140/180/230/280/400 V

| Article no. | Output current | Total weight appr. kg | Copper weight kg | a ₁ | b ₁ | a ₂ | Dimensions | | | |
|-------------|----------------|--------------------------|------------------------|----------------|----------------|----------------|------------------------------|----------------|----------------|-----|
| | A | | | | | | b ₂ approx. mm | a ₃ | b ₃ | c |
| 071-0263 | 1.6 | 2.3 | 0.52 | 96 | 81 | 84 | 64 | 5.8 | 9 | 96 |
| 073-0379 | 2.5 | 3.6 | 0.72 | 96 | 103 | 84 | 87 | 5.8 | 9 | 96 |
| 076-0341 | 5.0 | 6.6 | 1.40 | 120 | 121 | 90 | 104 | 5.8 | 12 | 111 |
| 078-0232 | 8.0 | 9.9 | 2.35 | 150 | 130 | 122 | 106 | 7 | 15 | 132 |
| 079-0416 | 10.0 | 13.1 | 2.50 | 150 | 155 | 122 | 133 | 7 | 15 | 132 |
| 080-0076 | 12.5 | 13.7 | 3.80 | 174 | 127 | 135 | 102 | 7 | 15 | 148 |
| 081-0062 | 14.0 | 17.2 | 4.20 | 174 | 147 | 135 | 122 | 7 | 15 | 148 |
| 082-0057 | 20.0 | 20.5 | 4.50 | 174 | 167 | 135 | 142 | 7 | 15 | 148 |

The values in the table above are for the thermal steady state at 40°C ambient temperature.

Copyright © 2002-2007 SBA

SBA-TrafoTech GmbH
Winkelleite 14
91332 Heiligenstadt, Germany
Telephone +49 (0)9198/8 09-19
Facsimile +49 (0)9198/8 09-30
sales@sba.de

SBA-Trafobau Jena GmbH
Ilmstraße 18
07743 Jena, Germany
Telephone +49 (0)3641/4514-0
Facsimile +49 (0)3641/4514-30
info@sba.de

Internet: www.sba.de