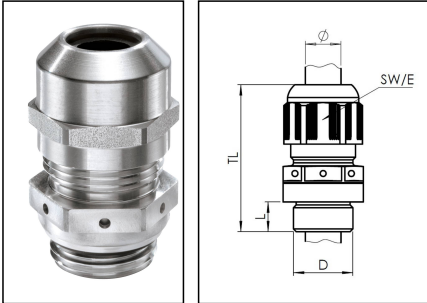


ESSVG 25

Pressure compensation cable gland, stainless steel 1.4305, M25



Products may differ in size, colour and appearance to those shown. If you require further information or customisation, please contact us directly.



| | |
|--------------------------|-----------------------|
| Material cable gland | Edelstahl A2 (1.4305) |
| Material membrane | ePTFE |
| Material sealing gasket | EPDM |
| Airflow at 70mbar | 90 l/h |
| Temp. range min | -40 °C |
| Temp. range max | 100 °C |
| Protection class | IP68 / IP69 |
| Thread type | M |
| Ø Connection thread D | 25 |
| Lead | 1,5 |
| Length screw-in thread L | 7 mm |
| Ø cable diameter min | 9 mm |
| Ø cable diameter max | 17 mm |
| Key width SW | 30 mm |
| Collar diameter (E) | 33 mm |
| Install. torques fitting | 10 N m |
| Install. torques cap nut | 10 N m |
| Total length TL | 43 mm - 52 mm |
| WISKA-Order no. | 10069401 |
| Type | ESSVG 25 |
| Packing unit | 1 |
| EAN number | 4007685694018 |
| Tariff number | 73269098 |
| ETIM-Classification | EC000441 |

Your Contact:

WISKA Hoppmann GmbH

Kisdorfer Weg 28 · 24568 Kaltenkirchen · Germany

☎ +49-4191-508-0 · 📠 +49-4191-508-209

contact@wiska.de · www.wiska.com

Recommended accessories

| | |
|-----------------------------|----------|
| MFD 25/02/060 | 10060452 |
| RDE 25 | 10060768 |
| MFD 25/02/080 | 10060952 |
| MFD 25/01/065 | 10060954 |
| MFD 25/02/070 | 10063995 |
| BS 17 | 10064012 |
| ESMU 25 | 10064191 |
| MFD 25/03/070 | 10064342 |
| MFD 25/04/060 | 10064343 |
| MFD 25/01/090 | 10101016 |
| MFD 25/01/105-01/055 | 10101255 |
| MFD 25/05/056 | 10102023 |

08.02.2023

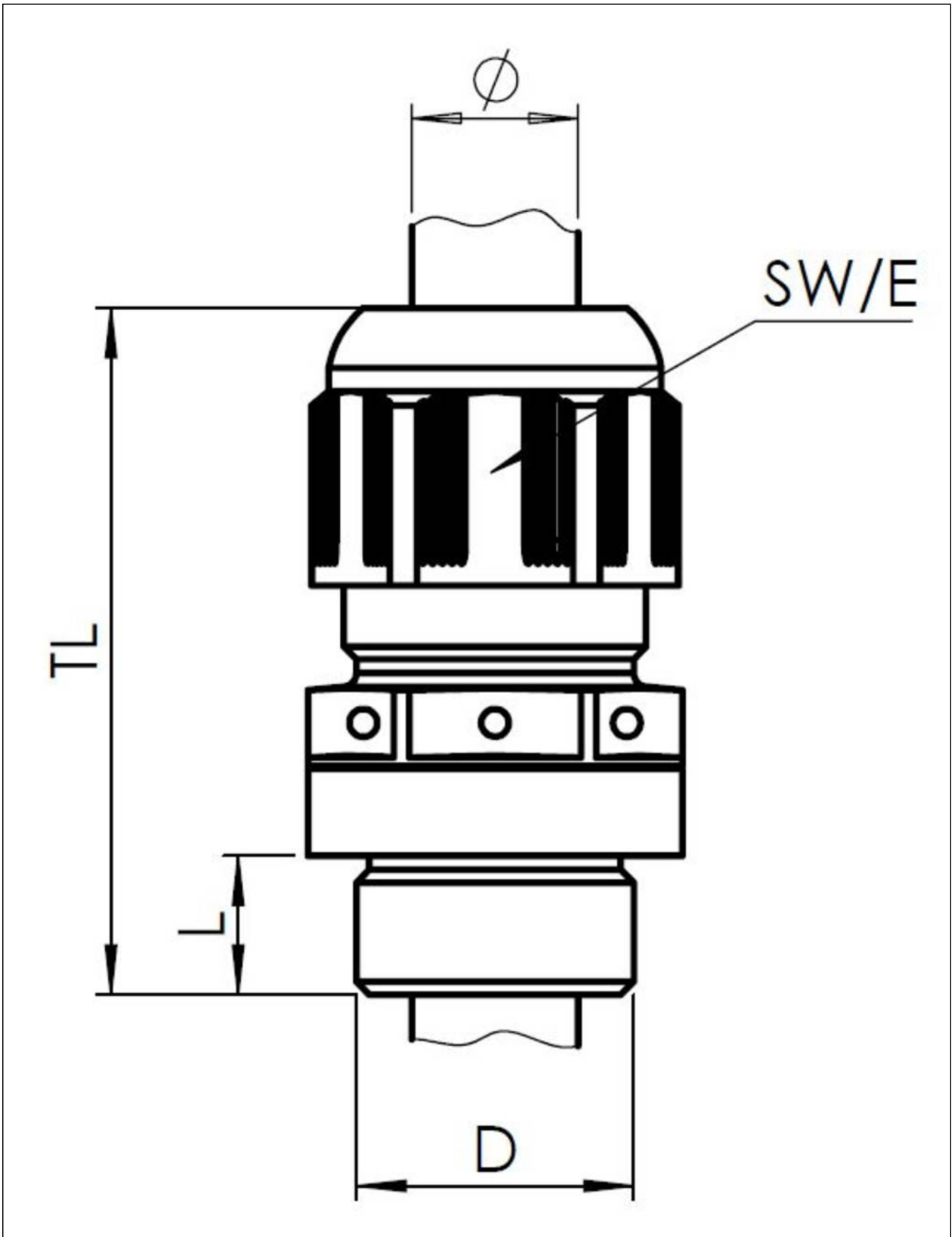
Your Contact:

WISKA Hoppmann GmbH

Kisdorfer Weg 28 · 24568 Kaltenkirchen · Germany

☎ +49-4191-508-0 · 📠 +49-4191-508-209

contact@wiska.de · www.wiska.com



Your Contact:
WISKA Hoppmann GmbH
Kisdorfer Weg 28 · 24568 Kaltenkirchen · Germany
☎ +49-4191-508-0 · 📠 +49-4191-508-209
contact@wiska.de · www.wiska.com