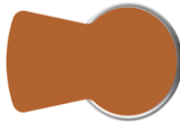


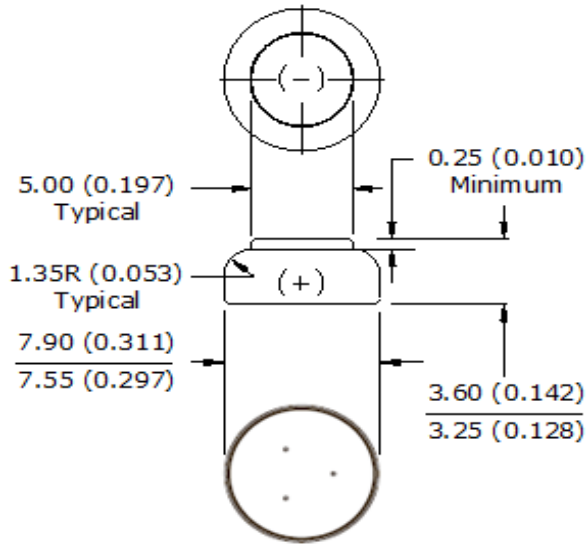
ENERGIZER 312 size - **Mercury Free**

ZnAir



Industry Standard Dimensions

mm (inches)

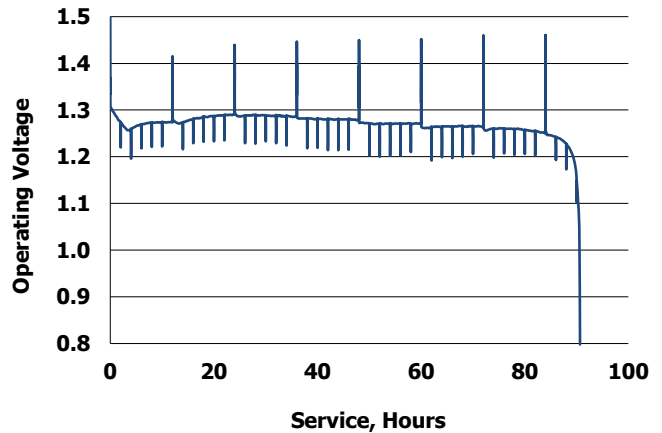


General Information

Chemical System: Zinc Air (Zn/O₂)
Tab Color: Brown
Designation: ANSI-7002ZD, IEC-PR41
Nominal Voltage: 1.4 Volts
Typical Capacity: 180 mAh (to 1.05 volts)
 (IEC-STD at 10/2 mA at 21°C)
Typical Weight: 0.5 grams (0.02 oz.)
Typical Volume: 0.2 cubic centimeters (0.01 cubic inch)

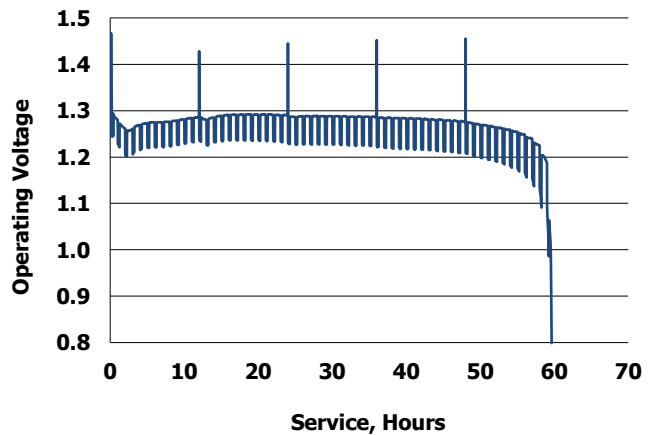
Typical Discharge Characteristics

ANSI / IEC Industry Standards / Standard Test Protocol
 (10/2 mA .1S/1H59M 59.9S 12H at 21C)



Typical Discharge Characteristics

ANSI/IEC Industry Standards / Wireless Streaming Protocol
 (5mA 15 min / 2mA 45 min 12 H cycle at 21C)



Important Notice

This datasheet contains typical information specific to products manufactured at the time of its publication.
Contents herein do not constitute a warranty and are for reference only.