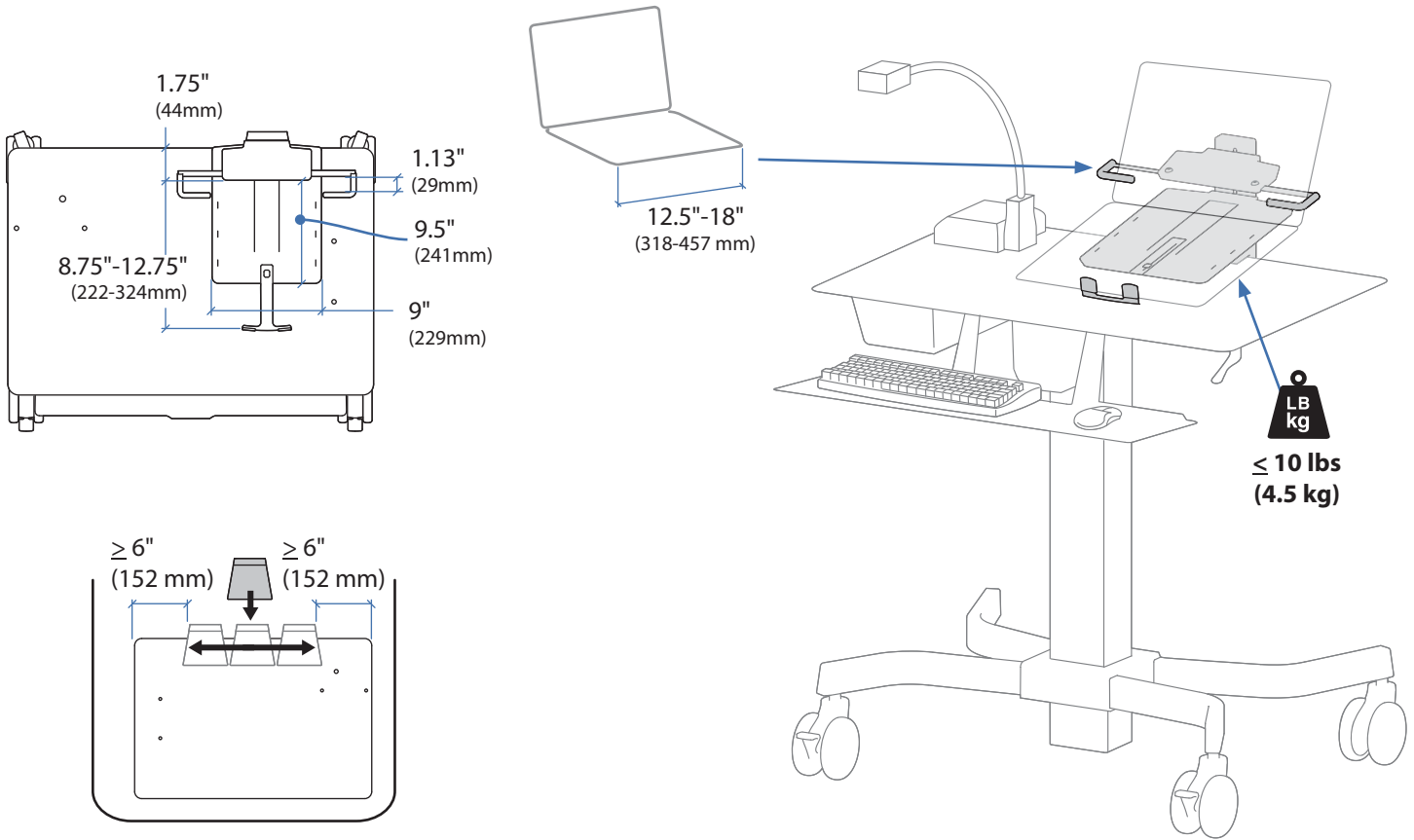
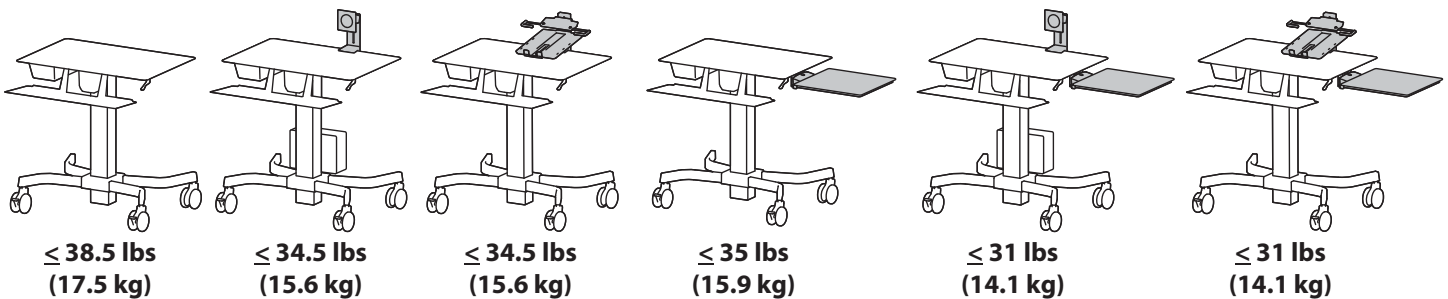


TeachWell MDW Laptop kit



Based on your configuration and what accessories you have mounted, the total weight added to the mounted accessories, worksurface, keyboard tray and cable box should be:



© 2011 Ergotron, Inc. rev. 06/23/2011 DIM-TeachWellMDWLaptop Content is subject to change without notification

Americas Sales and Corporate Headquarters

St. Paul, MN USA
 (800) 888-8458
 +1-651-681-7600
www.ergotron.com
sales@ergotron.com

EMEA Sales

Amersfoort, The Netherlands
 +31 33 45 45 600
www.ergotron.com
info.eu@ergotron.com

APAC Sale

Tokyo, Japan
www.ergotron.com
apaccustomerservice@ergotron.com

Worldwide OEM Sales

www.ergotron.com
info.oem@ergotron.com

