

Shielded Inline Coupler



PoE Compliant

Shielded Inline Coupler FACSm (Cat5e), SACSm (Cat6) and SGAC (Cat6A)

Features

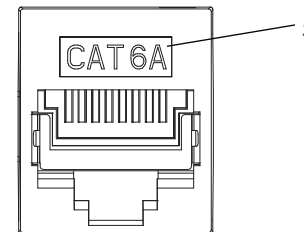
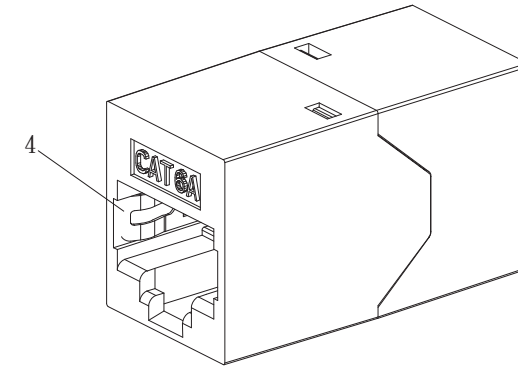
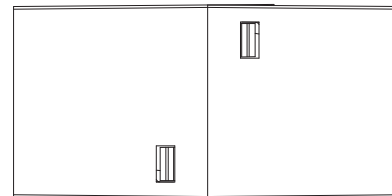
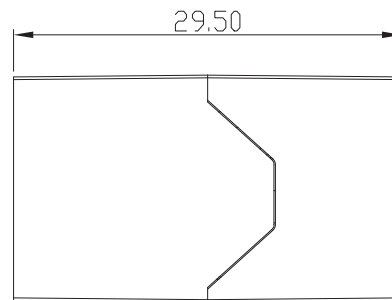
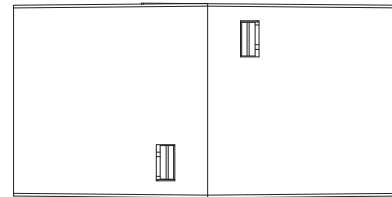
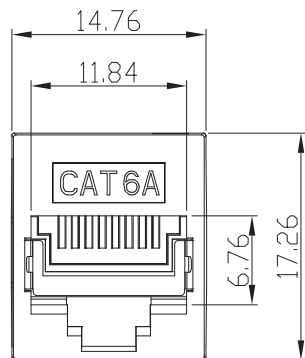
- Robust and compact design
- High performance data throughput at relevant Category 5e/ Category 6/ Category 6A data transfer rates
- Die cast shielded
- RJ45 complies with FCC part 68 standard / IEC 60603-7-1
- Jack insertion life > 750 mating cycles
- Operating temperature: -40°C ~ +60°C

Specifications

- Weight: approx. 17g
- Dimensions (LxWxH): approx.29.5 x 17.26 x 14.76mm
- Housing: Nickel plated zinc alloy
- Contacts: 50µ"/1.27µm gold plated over nickel over phosphor bronze
- Earthing lug material: Stainless steel SUS304

ROHS Compliant

Code: SGAC/ SACSm / FACSm



ELECTRICAL

CURRENT RATING : 1.5A

DIELECTRIC WITHSTANDING VOLTAGE : 1000VDC

INSULATION RESISTANCE : 500 MΩ MIN.

CONTACT RESISTANCE : 20 mΩ MAX.

MECHANICAL

(1) Materials: Zn alloy

(2) Cosmetic: Electroplating Ni + Sandblasting

(2) RJ45Jack Contact: Phosphor bronze, 50u" Gold Plating

(3) Cavity conforms to FCC rules and Regulations Part 68

(4) Earthing lug material: Stainless steel SUS304

(5) Lettering 'CAT6A' 'CAT6' 'CAT5e' according to item