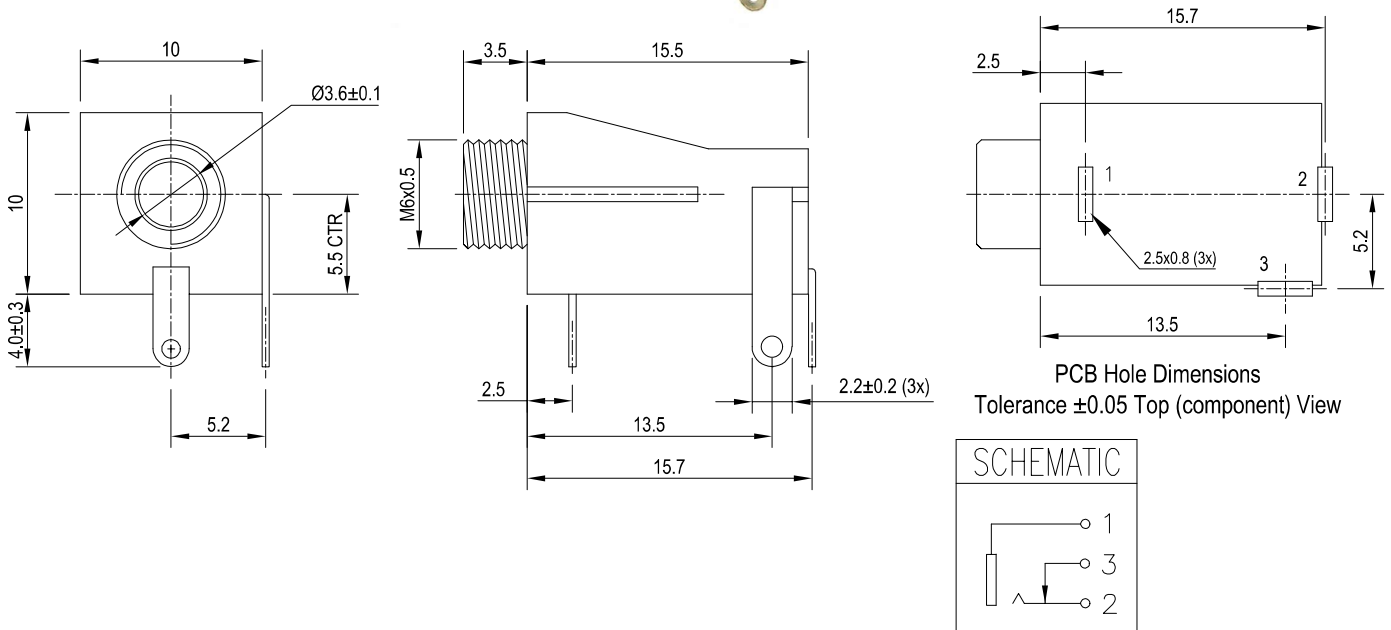


# CLIFF

## 3.5mm JACK SOCKET



This is a 3.5mm Mono Switched jack socket with a metal nose. Right angle PC mounting. Supplied with a metal ring nut.

### Specification

1. Current Rating 12V DC / 1A
2. Contact Resistance: 30mΩ max
3. Insulation Resistance: 100MΩ min at 500V DC
4. Dielectric Strength: 500V AC for 1 minute
5. Life: 5000+ operations
6. Operating temperature: -25°C to 70°C

Part No. **FC68118**