

TAM191213



Sample image

Order symbol : TAM191213

Product nr : 5814062

Description : Enclosure, ABS, metric knock-outs

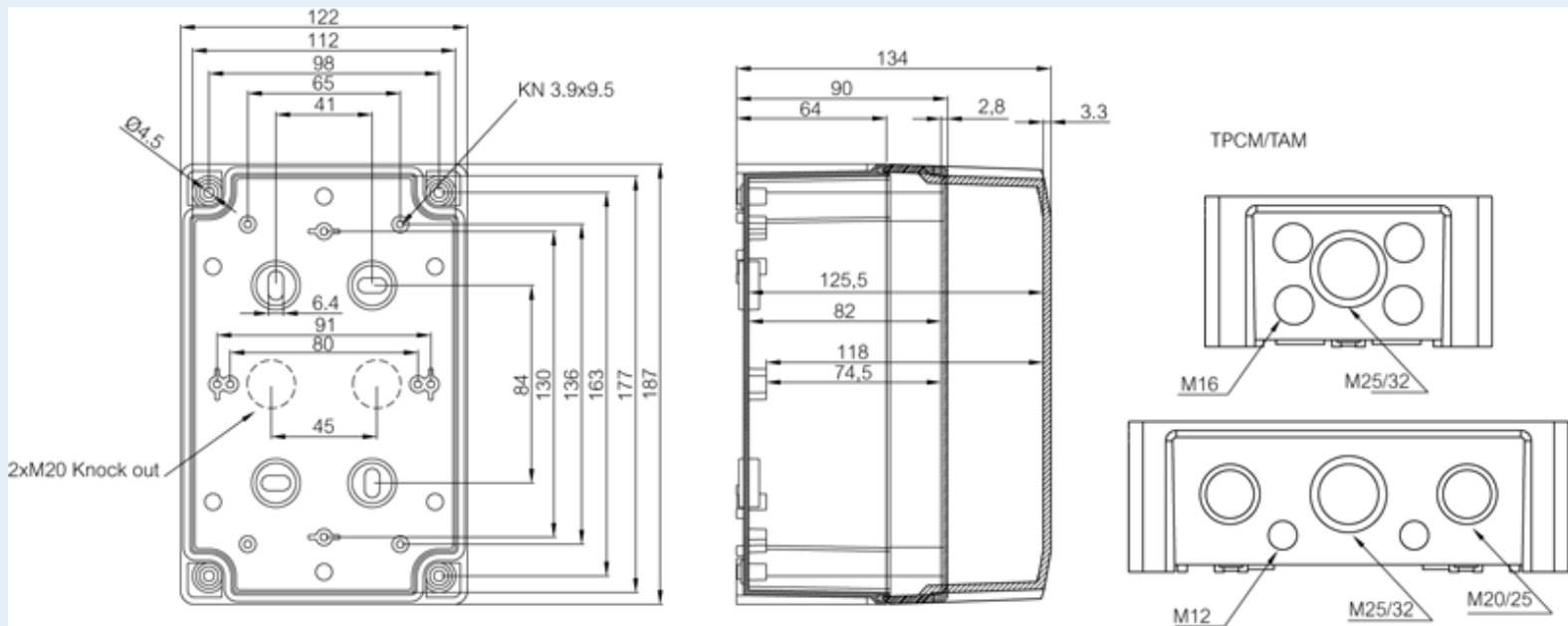
Remarks : Grey cover

EAN : 6418074310842

El. number :

- Finland :
- Denmark :
- Sweden :

Including : Base with PUR gasket and screws for mounting plate/DIN-rail. cover with polyamide cover screws and plastic hinges.



Dimensions :	Height	Width	Depth
mm :	187	122	130
inch :	0	0	0

Materials :

Material : ABS

Base colour :

Cover colour :

Gasket material :

Accessories :

- MIV 10 DIN-35 Mounting rail, for enclosures: (100 x 35 x 1)
- MP 1912 Mounting plate, for enclosures: (140 x 100 x 0)
- DH-3 DIN-35 Mounting rail, for enclosures: (140 x 35 x 1)
- FP 10674 Wall fastening lug (2 pcs) incl. screws

Rating :

- Ingress protection (EN 60529): IP65;
- Impact Resistance (EN 62262): IK07;

Temperatures :

Temperature °C (short term) :	-40 ... 80
Temperature °C (continuous) :	
Temperature °F (short term) :	-40 ... 175
Temperature °F (continuous) :	-40 ... 140

Electrical insulation :	Totally insulated
Halogen free (DIN/VDE 0472, Part 815):	1
UV resistance :	-
Flammability Rating :	UL 94 HB
Glow Wire Test (IEC 695-2-1) °C :	650 °C
NEMA Class	

Certificates :

Certificate FI 40343