

TPCM 191209



Sample image

Order symbol : TPCM 191209

Product nr : 5824024

Description : Enclosure, PC

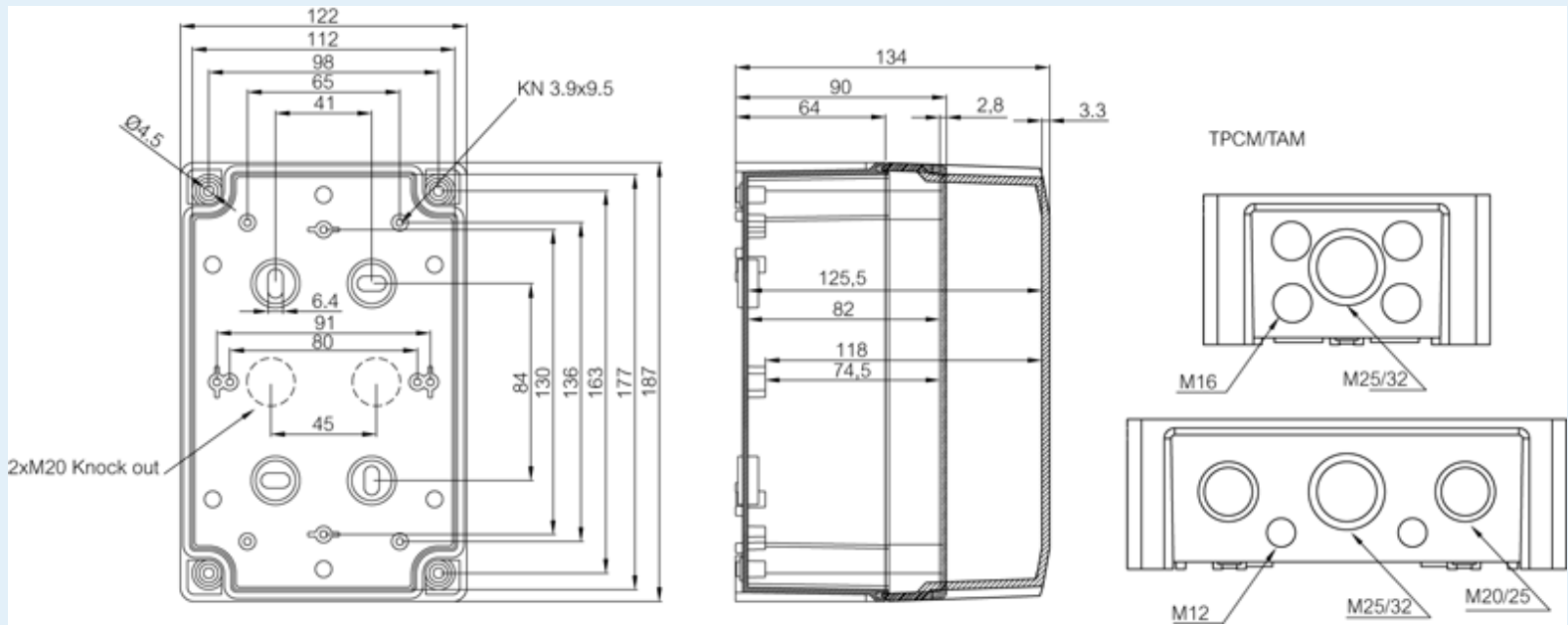
Remarks : Grey cover

EAN : 6418074087119

Including :

El. number :

- Finland :
- Denmark :
- Sweden :



Dimensions :	Height	Width	Depth
mm :	187	122	90
inch :	7.36	4.8	3.54

Materials :

Material : Polycarbonate

Base colour :

Cover colour :

Gasket material :

Temperatures :

Accessories :

MIV 10	DIN-35 Mounting rail, for enclosures: (100 x 35 x 1)
MP 1912	Mounting plate, for enclosures: (140 x 100 x 0)
DH-3	DIN-35 Mounting rail, for enclosures: (140 x 35 x 1)
FP 10674	Wall fastening lug (2 pcs) incl. screws

Rating :

Ingress protection (EN 60529):	IP65;
Impact Resistance (EN 62262):	IK07; IK08;
Electrical insulation :	Totally insulated

Temperature °C (short term) :	-40 ... 120
Temperature °C (continuous) :	
Temperature °F (short term) :	-40 ... 250
Temperature °F (continuous) :	-40 ... 175

Halogen free (DIN/VDE 0472, Part 815):	1
UV resistance :	-
Flammability Rating :	UL 746C 5"
Glow Wire Test (IEC 695-2-1) °C :	960 °C
NEMA Class	

Certificates :

Certificate FI 40343