

ALN 061005



Sample image

Order symbol : ALN 061005

Product nr : 7811080

UL Code : 7811082

UL Name : ALN UL 061005

Description : Enclosure, aluminium

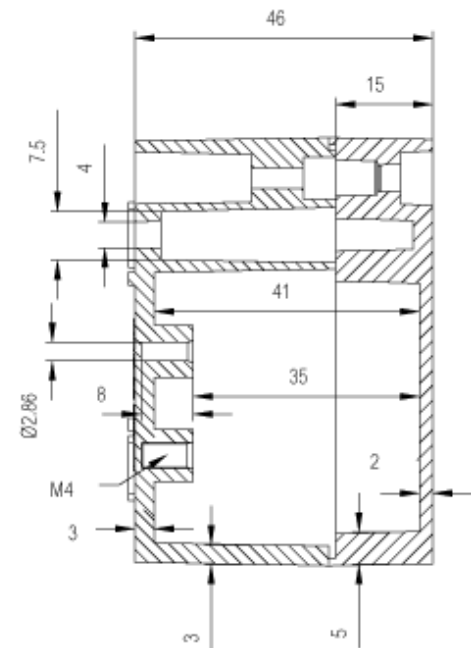
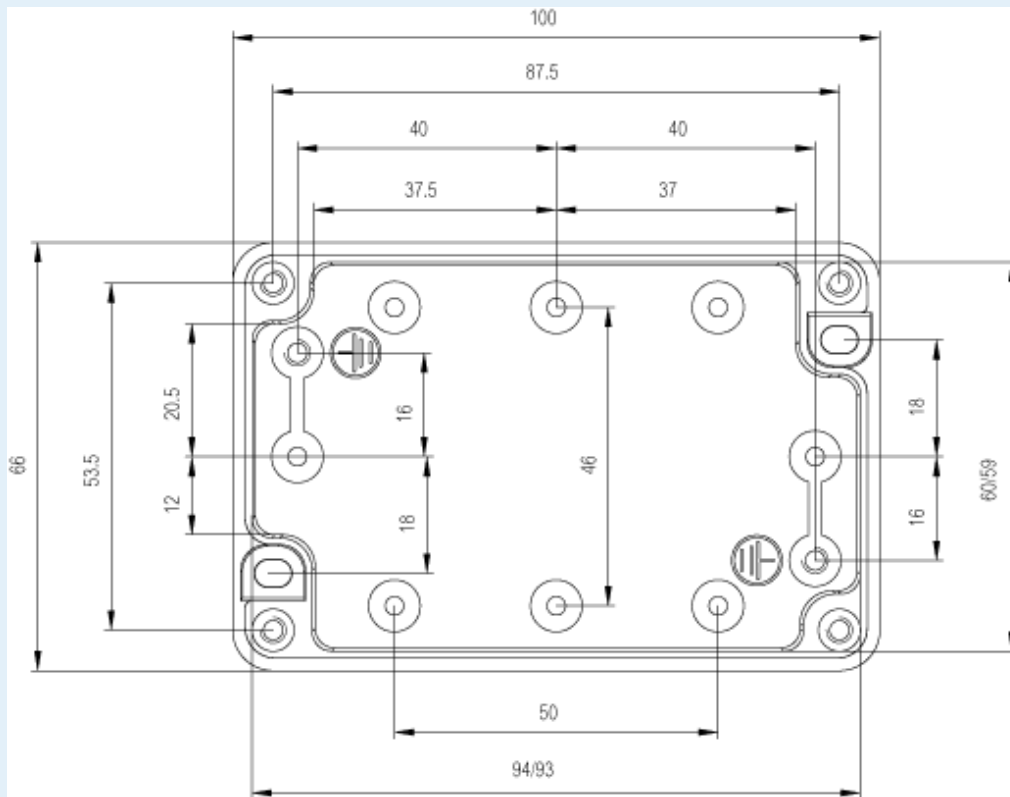
Remarks : Aluminium

Including : Base with screws for mounting plate/DIN-rail. cover with PUR gasket and stainless steel cover screws.

EAN : 6418074016041

El. number :

- Finland : 3420042
- Denmark : 8212045622
- Sweden : 2500902



Dimensions :

mm :

Height

66

Width

100

Depth

46

Accessories :

ARM 0610

DIN-15 Mounting rail, for enclosures:

inch : 2.6 3.94 1.81

Materials :

Material : Aluminum
Base colour : RAL 7001
Cover colour : RAL 7001
Gasket material : Polyurethane

Temperatures :

Temperature °C (short term) : -50 ... 120
Temperature °C (continuous) : -50 ... 80
Temperature °F (short term) : -60 ... 285
Temperature °F (continuous) : -60 ... 175

(88 x 15 x 1)

MR 75003 Selftapping taptite screw M3, for enclosures:

MRS 28540 Wall fastening lug (2 pcs), for enclosures:
(11 x 42 x 1)

Rating :

Ingress protection (EN 60529): IP66; IP67; IP68;
Impact Resistance (EN 62262): IK08;
Electrical insulation : Not insulated
Halogen free (DIN/VDE 0472, Part 815): 1
UV resistance : -
Flammability Rating :
Glow Wire Test (IEC 695-2-1) °C : C
NEMA Class

Certificates :

SGSFIMKO_ALU