

ALN 316011



Sample image

Order symbol : ALN 316011

Product nr : 7811470

UL Code : 7811472

UL Name : ALN UL 316011

Description : Enclosure, aluminium

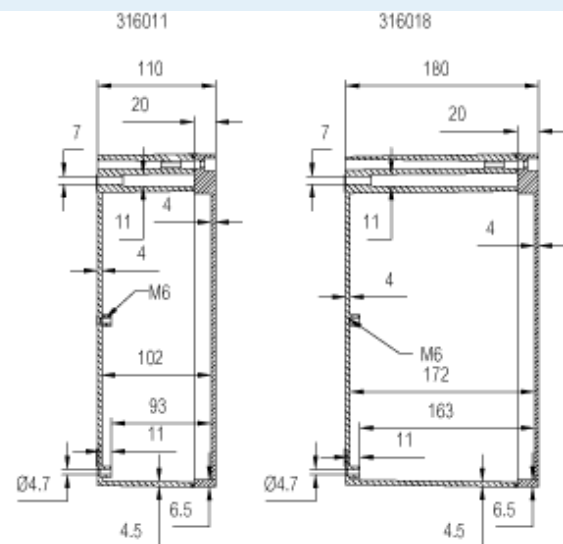
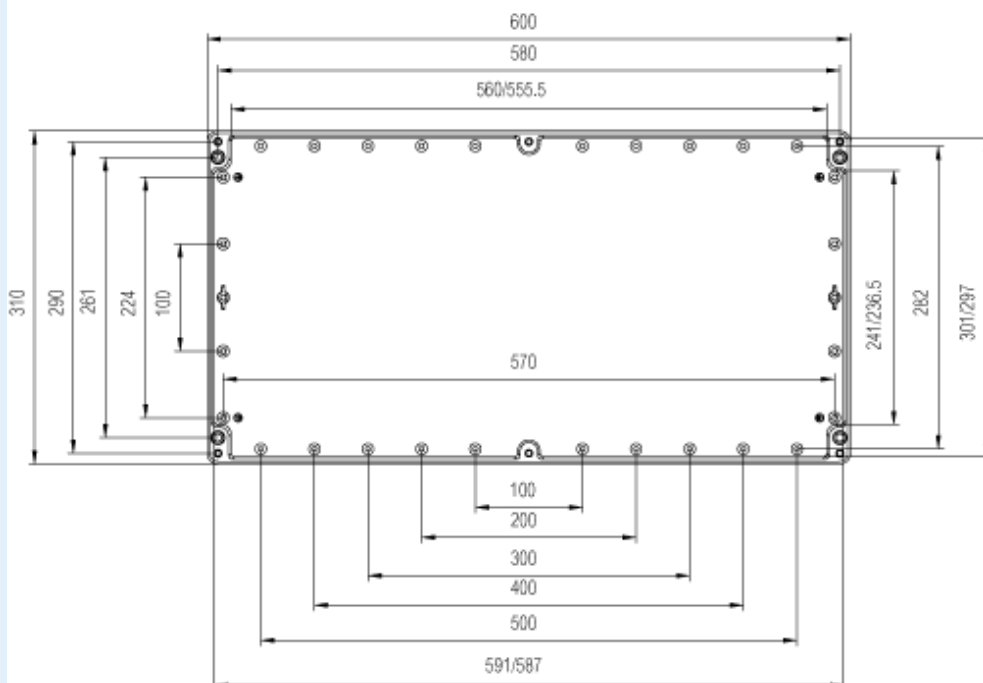
Remarks : Aluminium

Including : Base with screws for mounting plate/DIN-rail. cover with PUR gasket and stainless steel cover screws.

EAN : 6418074010834

El. number :

- Finland : 3420007
- Denmark :
- Sweden : 2500930



Dimensions :

	Height	Width	Depth
mm :	310	600	110
inch :	12.2	23.62	4.33

Materials :

Material :	Aluminum
Base colour :	RAL 7001
Cover colour :	RAL 7001
Gasket material :	Polyurethane

Temperatures :

Temperature °C (short term) :	-50 ... 120
Temperature °C (continuous) :	-50 ... 80
Temperature °F (short term) :	-60 ... 285
Temperature °F (continuous) :	-60 ... 175

Accessories :

AM 3160	Mounting plate, for enclosures: (293 x 585 x 1)
ARH 60	DIN-35 Mounting rail, for enclosures: (580 x 35 x 1)
MRS 28541	Wall fastening lug (2 pcs), for enclosures: (15 x 50 x 1)

Rating :

Ingress protection (EN 60529):	IP66; IP67; IP68;
Impact Resistance (EN 62262):	IK08;
Electrical insulation :	Not insulated
Halogen free (DIN/VDE 0472, Part 815):	1
UV resistance :	-
Flammability Rating :	
Glow Wire Test (IEC 695-2-1) °C :	C
NEMA Class	

Certificates :

SGSFIMKO_ALU