

PC D 85 G



Sample image

Order symbol : PC D 85 G

Product nr : 8724308

UL Code : 8714308

UL Name : UL PC D 85 G

Description : Enclosure, PC

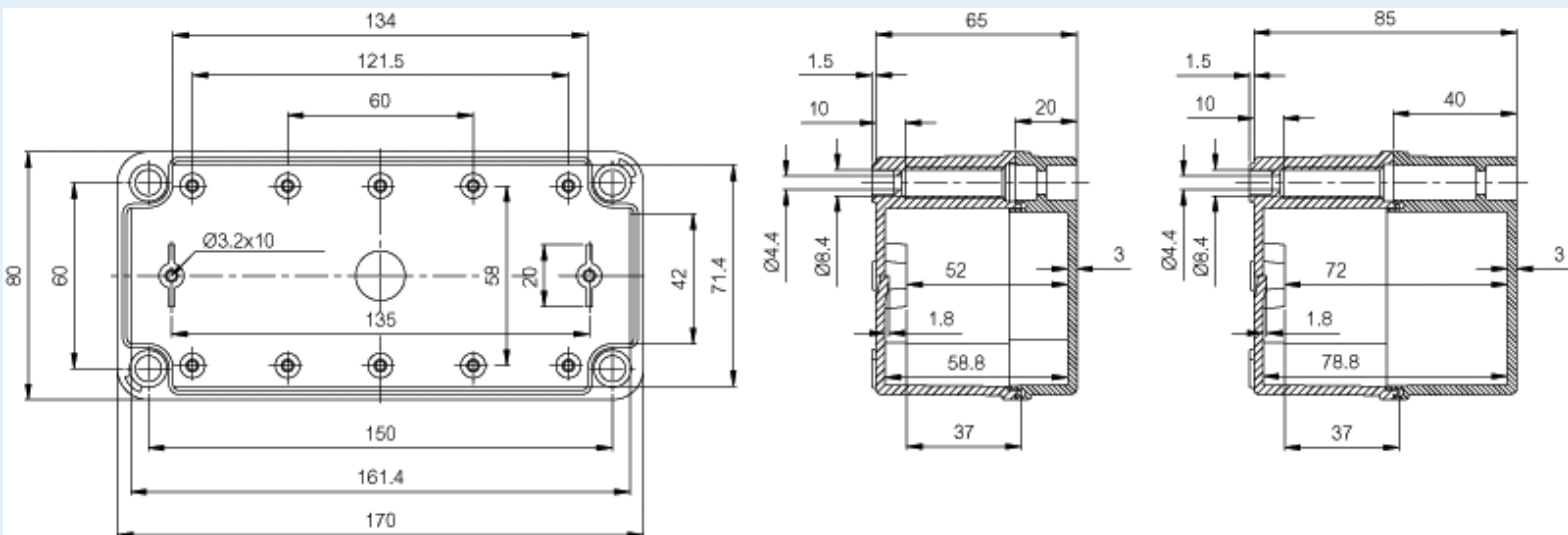
Remarks : Grey cover

EAN : 6418074002136

El. number :

- Finland : 3423411
- Denmark : 8212001572
- Sweden : 2536817

Including : Base with screws for mounting plate/DIN-rail. cover with PUR gasket and polyamide cover screws.



Dimensions :	Height	Width	Depth
mm :	170	80	85
inch :	6.69	3.15	3.35

Accessories :

- FP 22040 Wall fastening lug (2 pcs), for enclosures:
- DH-3 DIN-35 Mounting rail, for enclosures:
(140 x 35 x 1)
- D-MP Mounting plate, for enclosures:
(140 x 54 x 1)

Materials :

Material :	Polycarbonate
Base colour :	RAL 7035 -light grey
Cover colour :	RAL 7035 -light grey
Gasket material :	Polyurethane

Temperatures :

Temperature °C (short term) :	-40 ... 120
Temperature °C (continuous) :	
Temperature °F (short term) :	-40 ... 250
Temperature °F (continuous) :	-40 ... 175

Rating :

Ingress protection (EN 60529):	IP66; IP67;
Impact Resistance (EN 62262):	IK08;
Electrical insulation :	Totally insulated
Halogen free (DIN/VDE 0472, Part 815):	1
UV resistance :	UL 508
Flammability Rating :	UL 746C 5"
Glow Wire Test (IEC 695-2-1) °C :	960 °C
NEMA Class	

Certificates :

SGSFIMKO_PICC_pc