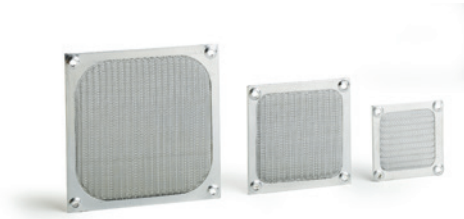
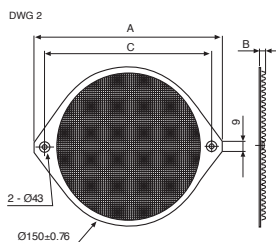
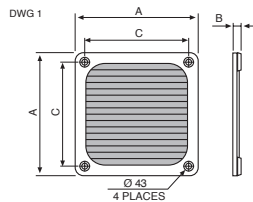


Accessories - frame fans metal filters



General specifications

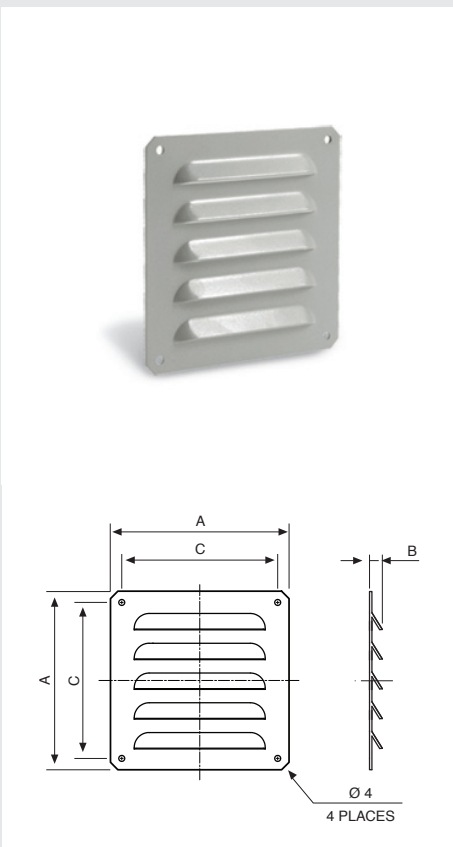
- Moving parts and dust protection, according to EN ISO 12100 and EN ISO 13857 standards
- Material
 - Net: 30x30 stainless steel corrugated mesh with 4.8 mm pitch and 3.3 mm depth
 - Frame: aluminum
- Color: natural



Technical data

Model	Dwg	A	B	C
		mm	mm	mm
FM/60	1	60	2.5	50
FM/80	1	83.8	3.0	71.4
FM/92	1	92	3.5	82.5
FM/120	1	119	4.0	104.5
FM/150	2	182	4.2	162

Accessories - frame fans metal ventilation louvres



General specifications

- Moving parts protection, according to EN ISO 12100 and EN ISO 13857 standards
- Material: steel plate with RAL 7035 epoxy powder coating

Model	A	B	C
	mm	mm	mm
G120M-7035	120	7.4	104.8

