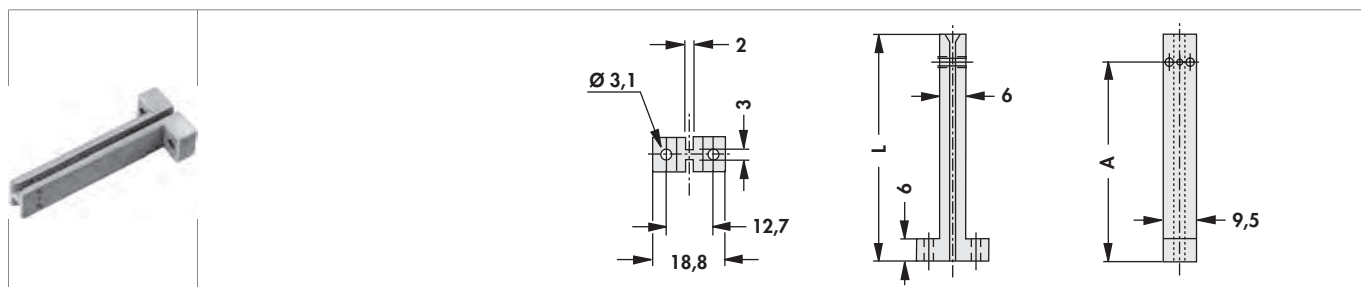


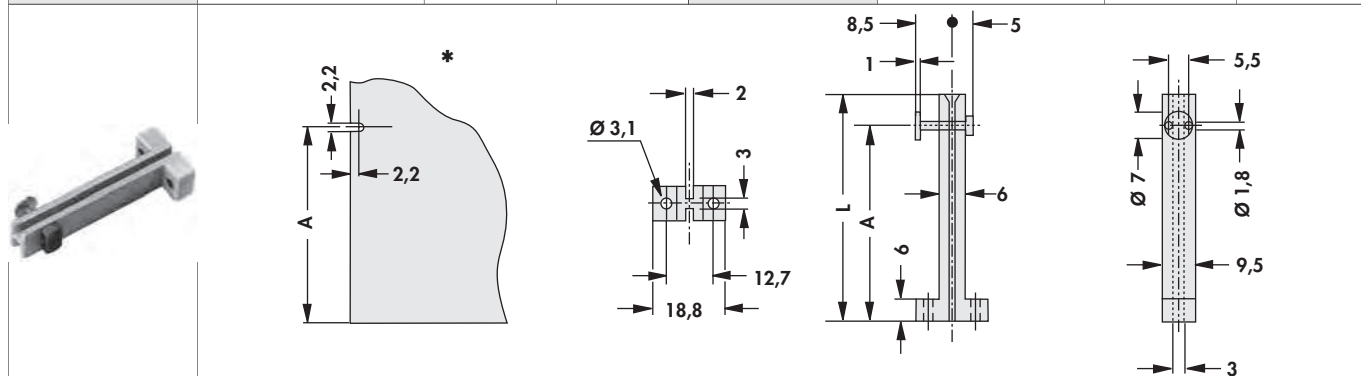
Guide rails

Lockable mounting rails

- lockable by pushing the plastic pin or the metal button
- no conductive connection to the PCB
- the PCB requires a snap-in slot in accordance to the drawing
- other position with locking device on request
- * = position of snap-in slot



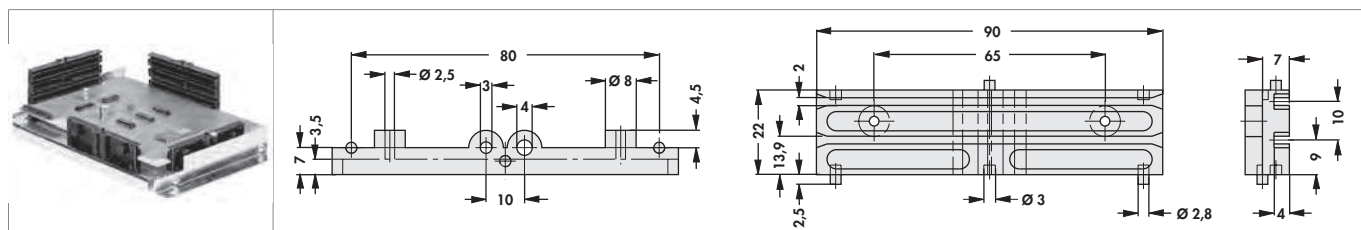
art. no.	version	dim. [mm]		art. no.	version	dim. [mm]	
		L	A			L	A
FS 85 50	without bolting device	50	42	FS 85 70	without bolting device	70	62
FS 85 60	without bolting device	60	52	FS 85	without bolting device	85	76



art. no.	version	dim. [mm]		art. no.	version	dim. [mm]	
		L	A			L	A
MSVL 50	with bolting device	50	42	MSVL 70	with bolting device	70	62
MSVL 60	with bolting device	60	52	MSVL 85	with bolting device	85	76

material:	polyamide, GF reinforced
temperature range:	-40°C... +205°C
class of flammability:	UL 94 V-0

- the guide bars have got mounting holes for vertical and horizontal assembly of printed circuits
- they can also be stacked together horizontally or vertically using pins and treatments



art. no.	
MSHV 90	
material:	polyamide, GF reinforced
class of flammability:	UL 94 V-0

Solder pins
Snap-in guide rails
Extractors for guide rails
Insulating clamping parts

→ E 43
→ E 29 - 30
→ E 30
→ E 45

Distance sleeves for PCB's in HP grid → E 39
Mounting pads for transistors → E 47
Vibration dampers → E 41
Technical introduction → A 2 - 8