



**CONNECT AND PROTECT**

# Frame Type Plug-in Units

10/2021

  
nvent

**SCHROFF**

# Frame type plug-in units – Kits

## OVERVIEW

### MAIN KATALOG

- Cabinets . . . . . 1
- Wall mounted cases . . . . . 2
- Accessories for cabinets and wall mounted cases . . 3
- Climate control . . 4
- Electronics cases . . . . . 5
- Subracks/ 19" chassis . . . . . 6
- Front panels, plug-in units . . . . . 7
- Systems . . . . . 8
- Power supply units . . . . . 9
- Backplanes . . . . . 10
- Connectors, front panel component system . . . . . 11
- Appendix . . . . . 12



04807002

19" modules are mechanical components that serve to carry one or more circuit boards. The boards housed in a module are thus combined into a larger electronic function unit that is self-contained and testable. Mechanical dimensions conform to IEC 60297-3-101 / IEEE 1101.1/11 standards, i.e. the so-called 19" standard. These function units are integrated into the subrack or case; their dimensions likewise form a component of IEC 60297-3-101 / IEEE 1101.1/11.

The dimension obligations of the standard give only little freedom for individual design of frame type plug-in units. The aim is therefore to make optimum use of what freedoms regarding dimensions it does allow, e.g.

- to maximise the internal space of a plug-in unit and thus create maximum space for electronic components, or
- to ensure optimal EMC shielding with minimum loss of mounting space to the shielding components

### Standards

- IEC 60297-3-101 / IEEE 1101.1/11

Width	5 HP		6 HP		7 HP		8 HP		10 HP		12 HP		14 HP		21 HP		28 HP		42 HP	
Height in U	3	6	3	6	3	6	3	6	3	6	3	6	3	6	3	6	3	6	3	6
Frame-type plug-in units PRO	-	-	-	-	-	-	X	X	X	X	X	X	X	X	X	X	X	X	X	X
Frame type plug-in units PRO with cooling fins	-	-	-	-	-	-	-	-	-	-	X	X	X	X	X	X	-	-	-	-
Frame-type plug-in units PRO with hood	X	X	X	X	X	X	-	-	X	X	X	X	X	X	-	-	-	-	-	-
HF frame-type plug-in units	-	-	-	-	X	-	-	-	X	-	X	-	X	-	X	-	X	-	-	-

# Frame type plug-in units – Kits

## OVERVIEW

### FRAME-TYPE PLUG-IN UNITS TO HOUSE PRINTED BOARDS

- For PCBs in euroboard format
- Kits or configuration from single components
- Front panels: unshielded or EMC shielded



04808008

#### FRAME-TYPE PLUG-IN UNITS PRO

- Kit or configuration from single components in 3 U and 6 U, 8 ... 42 HP
- Shielded and unshielded versions
- Side panel with/without cooling fins
- For one or several PCBs or one or several connectors
- Various possibilities for combining the individual components



04808009

#### PLUG-IN UNITS PRO WITH HOOD

- Kit in 3 U and 6 U, 5 ... 14 HP
- Shielded and unshielded versions
- For one PCB with one connector



04892005

#### HF FRAME-TYPE PLUG-IN UNITS

- Kit or configuration from single components in 3 U, 7 ... 28 HP
- For shielding against high-frequency radiation
- Tube with cooling fins, in extruded aluminium
- For one or more PCBs, one or more connectors

#### SERVICEPLUS

- e.g. individual configuration and assembly
- e.g. modification (special colours)
- e.g. customised solutions with modified frame-type plug-in units (special sizes)

Overview ..... 7.64

Introduction:  
Product features,  
product  
comparison .... 7.66

Frame type plug-in units  
PRO

Frame type  
plug-in units PRO,  
shielded/  
unshielded ..... 7.68

Frame-type  
plug-in units PRO  
with hood,  
unshielded ..... 7.83

HF plug-in units

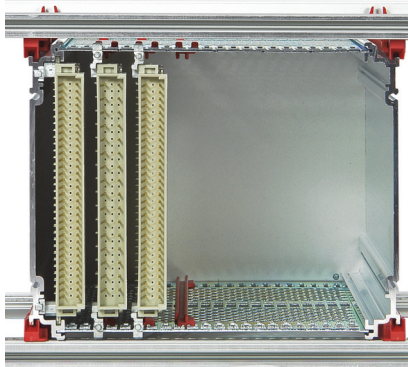
Kits 3 U ..... 7.87

ServicePLUS  
configuration .... 7.88

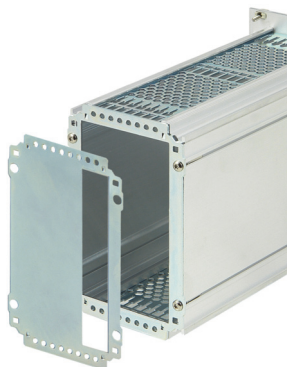
Accessories for plug-in units  
see page ..... 7.52

# Frame type plug-in units

## THE NEW GENERATION



Rear view: frame type plug-in unit mounted in subrack

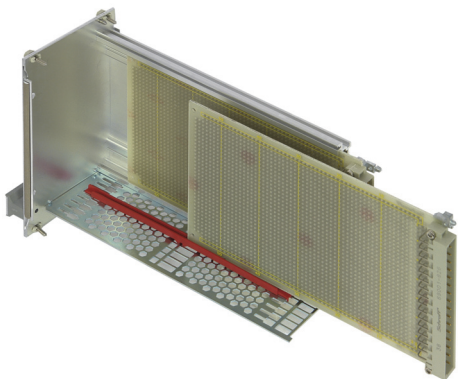


04808013 04808014

The frame type plug-in units conform to IEC 60297-3-101. They serve to house standardized PCBs and bulky components. Because of the standardized assembly dimensions the frame type plug-in units can be mounted on guide rails, to be pushed into the subrack, in any order and using any plug-in unit. The robust Al extrusion construction is especially suited for heavy components and the rough handling as "Field Replaceable Unit".

### Details

The EMC version of the front panel was improved for frequencies over 1 GHz by using a conductive textile gasket and a robust U-shaped front panel



Board for slot 1 fixes to the side panel; further boards are fixed with guide rails

04808012

Push-in cover plates for quick fitting

Handles to be bolted-on from the front, easy mounting

Optimised air flow rate thanks to slender extruded side panels and large perforation areas in the cover plates, a perforation degree of up to 65 % is possible

3 cover plate versions (solid, perforated, perforated for guide rail mounting)

Width of frame-type plug-in units from 8 HP

To achieve a higher airflow rate, exceptionally slender guide rails are used to fix the boards

From slot 2 guide rails can be positioned in HP grid

Easy fixing of the boards in the frame-type plug-in units; only 2 x 1 screws per board are needed to fix the boards

3 rear panel variants (solid, for one DIN connector, for multiple DIN connectors)

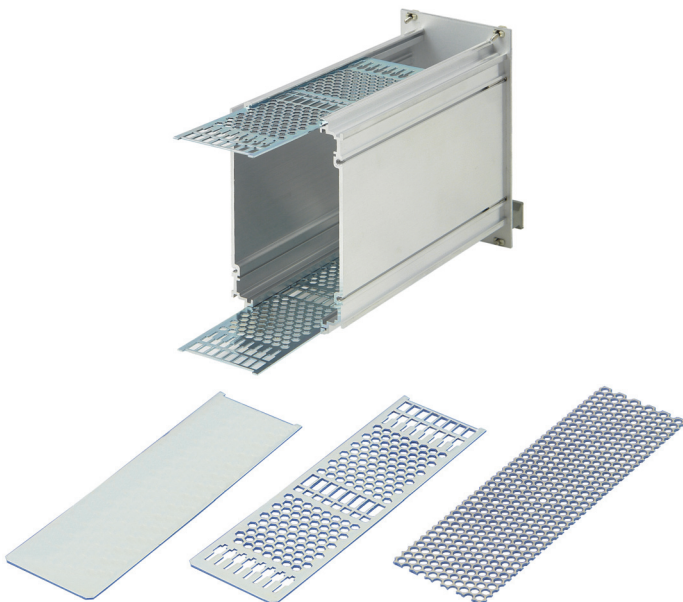
The flat rear panel enables simple reworking (e.g. punching); the rear panel can be removed without removing the PCBs

For better EMC contacting between rear panel and cover plate and to increase the stability of broad frame-type plug-in units, a rear panel retainer is available

Use of Torx screws for secure machine mounting

### Note:

Frame type plug-in units cannot be combined with guide rails for CompactPCI or VME64x applications (width 4 HP)



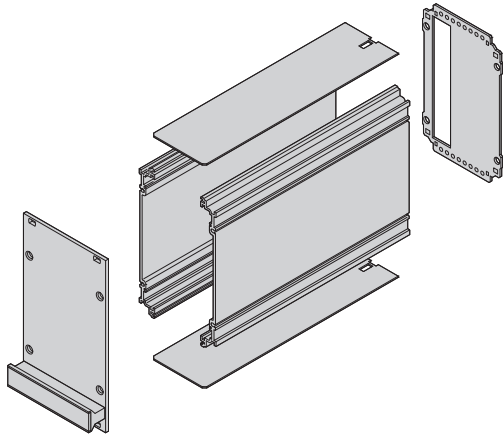
Sliding cover plates

04808011 04808016

# Frame type plug-in units

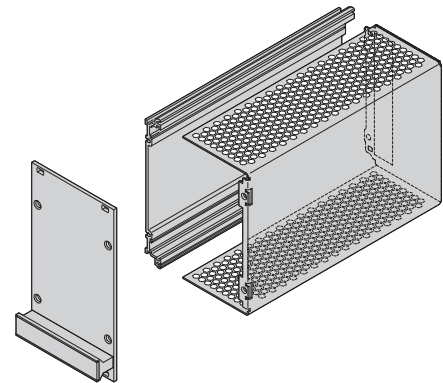
## COMPARISON: FRAME-TYPE PLUG-IN UNITS PRO/FRAME-TYPE PLUG-IN UNITS PRO WITH HOOD

### Frame-type plug-in units PRO



04808125

### Frame-type plug-in units PRO with hood (shielded)



04808115

For one or multiple PCBs

Only for one PCB

Modular, at least 6 components  
(front panel, 2 side panels, 2 cover plates, rear panel)

Only 3 components  
(front panel, left hand side panel, hood with integrated rear panel)

Identical front panel and front handle

Identical front panel and front handle

Identical left hand side panel (Al extrusion)

Identical left hand side panel (Al extrusion)

Side panel on right hand side (Al extrusion)

Hood on right hand side (Al sheet)

Separate rear panel

Hood includes rear panel

Widths from 8 HP to 42 HP

Widths from 5 HP to 14 HP

Guiding in subrack/case with 4 guide rails; left and right side panels

Guiding in subrack/case with 2 guide rails;  
left side panel

3 rear panel variants (for one DIN connector, for multiple DIN connectors,  
rear panel without cut-out)

1 rear panel variant (for one DIN connector)

# Frame type plug-in units PRO

## FRAME TYPE PLUG-IN UNITS PRO, 3 U KITS, FRONT PANEL SHIELDED (TEXTILE GASKET)



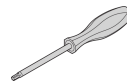
Illustration shows 12 HP width, side panel depth 167 mm

04811007

- Extruded side panels with groove to right and left, to insert a PCB (board position in accordance with standard in left side panel only)
- 2 board depths: 160 mm and 220 mm
- 2 cover plate versions
  - with perforation, for guide rails (5a, airflow rate approx. 60 %); please order guide rails separately
  - Without perforation (5b)
- 2 rear panel versions
  - With cut-out for one connector (3a, in accordance with EN 60603-2, DIN 41612)
  - With cut-out for multiple connectors (3b, in accordance with EN 60603-2, DIN 41612)

### DELIVERY COMPRISES (Kit)

Item	Qty	Description
1	1	Front panel, U profile anodised, rear conductive, alignment pin pressed-in
2	1	Handle, grey, PPE, UL 94 V-1
3a	1	Rear panel, St, zinc-plated, 1.5 mm, with cut-out for one connector, incl. PCB fixing (slot 1)
3b	1	Rear panel, St, zinc-plated, 1.5 mm, with cut-out for multiple connectors, incl. PCB fixing (slot 1 and slot 2), incl. 2 guide rails rear panel fastener
3c	2	
4	2	Side panel, Al extrusion, colourless passivated, with groove for one PCB
5a	2	Cover plate, St, zinc-plated, 1.0 mm, with perforation
5b	2	Cover plate, St, zinc-plated, 1.0 mm, without perforation
6	1	EMC sealing (textile)
7	1	Assembly kit (*)



(\*) Screw Driver, Torx 8, **64560-026**

### ORDER INFORMATION

	Rear panel	Height	Width	Cover plate without perforation		Cover plate with perforation, for guide rails	
				167 mm deep	227 mm deep	167 mm deep	227 mm deep
		U	HP	Part no.	Part no.	Part no.	Part no.
		3	8	<b>24813-408</b>	<b>24813-458</b>	<b>24813-208</b>	<b>24813-258</b>
		3	10	<b>24813-410</b>	<b>24813-460</b>	<b>24813-210</b>	<b>24813-260</b>
		3	12	<b>24813-412</b>	<b>24813-462</b>	<b>24813-212</b>	<b>24813-262</b>
		3	14	<b>24813-414</b>	<b>24813-464</b>	<b>24813-214</b>	<b>24813-264</b>
		3	21	<b>24813-421</b>	<b>24813-471</b>	<b>24813-221</b>	<b>24813-271</b>
		3	28	<b>24813-428</b>	<b>24813-478</b>	<b>24813-228</b>	<b>24813-278</b>
		3	42	<b>24813-442</b>	<b>24813-492</b>	<b>24813-242</b>	<b>24813-292</b>
		3	8	-	-	<b>24813-308</b>	<b>24813-358</b>
		3	10	-	-	<b>24813-310</b>	<b>24813-360</b>
		3	12	-	-	<b>24813-312</b>	<b>24813-362</b>
		3	14	-	-	<b>24813-314</b>	<b>24813-364</b>
		3	21	-	-	<b>24813-321</b>	<b>24813-371</b>
	3	28	-	-	<b>24813-328</b>	<b>24813-378</b>	
	3	42	-	-	<b>24813-342</b>	<b>24813-392</b>	

- Description of individual components, guide rails, dimension drawings, other combinations cover plates/rear panels etc. see from page 7.72

# Frame type plug-in units PRO

## FRAME TYPE PLUG-IN UNITS PRO, 6 U KITS, FRONT PANEL SHIELDED (TEXTILE GASKET)



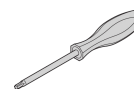
Illustration shows 12 HP width, side panel depth 167 mm

04811008

- Extruded side panels with groove to right and left, to insert a PCB (board position in accordance with standard in left side panel only)
- 2 board depths: 160 mm and 220 mm
- 2 cover plate versions
  - With perforation, for guide rails (5a, airflow rate approx. 60 %),
  - please order guide rails separately
  - Without perforation (5b)
- 2 rear panel versions
  - With cut-out for one connector (3a; in accordance with EN 60603-2, DIN 41612)
  - With cut-out for multiple connectors (3b; in accordance with EN 60603-2, DIN 41612)
  - 6 U has cut-outs for connectors at top and bottom

### DELIVERY COMPRISES (Kit)

Item	Qty	Description
1	1	Front panel, U profile anodised, rear conductive, alignment pin pressed-in
2	1	Handle, grey, PPE, UL 94 V-1
3a	1	Rear panel, St, zinc-plated, 1.5 mm, with cut-out for one connector, incl. PCB fixing (slot 1)
3b	1	Rear panel, St, zinc-plated, 1.5 mm, with cut-out for multiple connectors, incl. PCB fixing (slot 1 and slot 2), incl. 2 guide rails rear panel fastener
3c	2	
4	2	Side panel, Al extrusion, colourless passivated, with groove for one PCB
5a	2	Cover plate, St, zinc-plated, 1.0 mm, with perforation
5b	2	Cover plate, St, zinc-plated, 1.0 mm, without perforation
6	1	EMC sealing (textile)
7	1	Assembly kit (*)



(\*) Screw Driver, Torx 8, **64560-026**

### ORDER INFORMATION

	Rear panel	Height	Width	Cover plate without perforation		Cover plate with perforation, for guide rails	
		U	HP	167 mm deep Part no.	227 mm deep Part no.	167 mm deep Part no.	227 mm deep Part no.
		6	8	<b>24813-908</b>	<b>24813-958</b>	<b>24813-708</b>	<b>24813-758</b>
		6	10	<b>24813-910</b>	<b>24813-960</b>	<b>24813-710</b>	<b>24813-760</b>
		6	12	<b>24813-912</b>	<b>24813-962</b>	<b>24813-712</b>	<b>24813-762</b>
		6	14	<b>24813-914</b>	<b>24813-964</b>	<b>24813-714</b>	<b>24813-764</b>
		6	21	<b>24813-921</b>	<b>24813-971</b>	<b>24813-721</b>	<b>24813-771</b>
		6	28	<b>24813-928</b>	<b>24813-978</b>	<b>24813-728</b>	<b>24813-778</b>
		6	42	<b>24813-942</b>	<b>24813-992</b>	<b>24813-742</b>	<b>24813-792</b>
		6	8	-	-	<b>24813-808</b>	<b>24813-858</b>
		6	10	-	-	<b>24813-810</b>	<b>24813-860</b>
		6	12	-	-	<b>24813-812</b>	<b>24813-862</b>
		6	14	-	-	<b>24813-814</b>	<b>24813-864</b>
		6	21	-	-	<b>24813-821</b>	<b>24813-871</b>
	6	28	-	-	<b>24813-828</b>	<b>24813-878</b>	
	6	42	-	-	<b>24813-842</b>	<b>24813-892</b>	

- Description of individual components, guide rails, dimension drawings, other combinations cover plates/rear panels etc. see from page 7.72

# Frame type plug-in units PRO

## FRAME-TYPE PLUG-IN UNITS PRO, 3 U KITS, FRONT PANEL UNSHIELDED



Illustration shows 12 HP width, side panel depth 167 mm

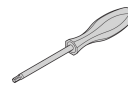
04811009

- Extruded side panels with groove to right and left, to insert a PCB (board position in accordance with standard in left side panel only)
- 2 board depths: 160 mm and 220 mm
- 2 cover plate versions
  - with perforation, for guide rails (5a, airflow approx. 60 %); please order guide rails separately
  - Without perforation (5b)
- 2 rear panel versions
  - With cut-out for one connector (3a, in accordance with EN 60603-2, DIN 41612)
  - With cut-out for multiple connectors (3b, in accordance with EN 60603-2, DIN 41612)

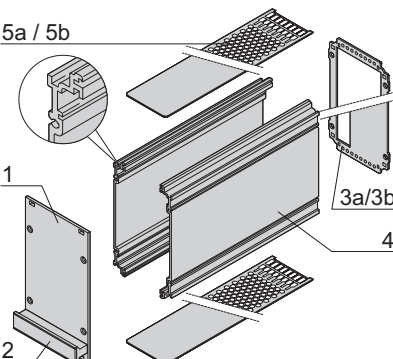
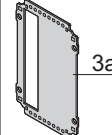
### DELIVERY COMPRISES (Kit)

Item	Qty	Description
1	1	Front panel, Al, 2.5 mm, anodised, cut edges plain
2	1	Handle, grey, PPE, UL 94 V-1
3a	1	Rear panel, St, zinc-plated, 1.5 mm, with cut-out for one connector, incl. PCB fixing (slot 1)
3b	1	Rear panel, St, zinc-plated, 1.5 mm, with cut-out for multiple connectors, incl. PCB fixing (slot 1 and slot 2), incl. 2 guide rails rear panel fastener
3c	2	
4	2	Side panel, Al extrusion, colourless passivated, with groove for one PCB
5a	2	Cover plate, St, zinc-plated, 1.0 mm, with perforation
5b	2	Cover plate, St, zinc-plated, 1.0 mm, without perforation
6	1	Assembly kit (*)

(\*) Screw Driver, Torx 8, **64560-026**



### ORDER INFORMATION

	Rear panel	Height	Width	Cover plate without perforation		Cover plate with perforation, for guide rails	
				167 mm deep	227 mm deep	167 mm deep	227 mm deep
		U	HP	Part no.	Part no.	Part no.	Part no.
		3	8	<b>24812-408</b>	<b>24812-458</b>	<b>24812-208</b>	<b>24812-258</b>
		3	10	<b>24812-410</b>	<b>24812-460</b>	<b>24812-210</b>	<b>24812-260</b>
		3	12	<b>24812-412</b>	<b>24812-462</b>	<b>24812-212</b>	<b>24812-262</b>
		3	14	<b>24812-414</b>	<b>24812-464</b>	<b>24812-214</b>	<b>24812-264</b>
		3	21	<b>24812-421</b>	<b>24812-471</b>	<b>24812-221</b>	<b>24812-271</b>
		3	28	<b>24812-428</b>	<b>24812-478</b>	<b>24812-228</b>	<b>24812-278</b>
		3	42	<b>24812-442</b>	<b>24812-492</b>	<b>24812-242</b>	<b>24812-292</b>
		3	8	-	-	<b>24812-308</b>	<b>24812-358</b>
		3	10	-	-	<b>24812-310</b>	<b>24812-360</b>
		3	12	-	-	<b>24812-312</b>	<b>24812-362</b>
		3	14	-	-	<b>24812-314</b>	<b>24812-364</b>
		3	21	-	-	<b>24812-321</b>	<b>24812-371</b>
		3	28	-	-	<b>24812-328</b>	<b>24812-378</b>
		3	42	-	-	<b>24812-342</b>	<b>24812-392</b>

- Description of individual components, guide rails, dimension drawings, other combinations cover plates/rear panels etc. see from page 7.72



# Frame type plug-in units PRO

## FRAME TYPE PLUG-IN UNITS PRO, 6 U KITS, FRONT PANEL UNSHIELDED



Illustration shows 12 HP width, side panel depth 167 mm

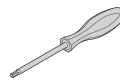
04811010

- Extruded side panels with groove to right and left, to insert a PCB (board position in accordance with standard in left side panel only)
- 2 board depths: 160 mm and 220 mm
- 2 cover plate versions
  - with perforation, for guide rails (5a, airflow approx. 60 %); please order guide rails separately
  - Without perforation (5b)
- 2 rear panel versions
  - With cut-out for one connector (3a; in accordance with EN 60603-2, DIN 41612)
  - With cut-out for multiple connectors (3b; in accordance with EN 60603-2, DIN 41612)
  - 6 U has cut-outs for connectors at top and bottom

### DELIVERY COMPRISES (Kit)

Item	Qty	Description
1	1	Front panel, Al, 2.5 mm, anodised, cut edges plain
2	1	Handle, grey, PPE, UL 94 V-1
3a	1	Rear panel, St, zinc-plated, 1.5 mm, with cut-out for one connector, incl. PCB fixing (slot 1)
3b	1	Rear panel, St, zinc-plated, 1.5 mm, with cut-out for multiple connectors, incl. PCB fixing (slot 1 and slot 2), incl. 2 guide rails rear panel fastener
3c	2	
4	2	Side panel, Al extrusion, colourless passivated, with groove for one PCB
5a	2	Cover plate, St, zinc-plated, 1.0 mm, with perforation
5b	2	Cover plate, St, zinc-plated, 1.0 mm, without perforation
6	1	Assembly kit (*)

(\*) Screw Driver, Torx 8, **64560-026**



### ORDER INFORMATION

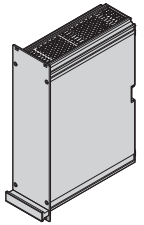
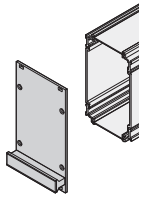
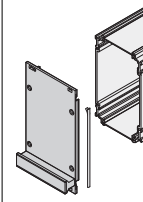
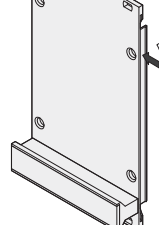
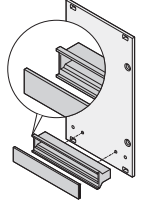
	Rear panel	Height	Width	Cover plate without perforation		Cover plate with perforation, for guide rails	
		U	HP	167 mm deep Part no.	227 mm deep Part no.	167 mm deep Part no.	227 mm deep Part no.
		6	8	<b>24812-908</b>	<b>24812-958</b>	<b>24812-708</b>	<b>24812-758</b>
		6	10	<b>24812-910</b>	<b>24812-960</b>	<b>24812-710</b>	<b>24812-760</b>
		6	12	<b>24812-912</b>	<b>24812-962</b>	<b>24812-712</b>	<b>24812-762</b>
		6	14	<b>24812-914</b>	<b>24812-964</b>	<b>24812-714</b>	<b>24812-764</b>
		6	21	<b>24812-921</b>	<b>24812-971</b>	<b>24812-721</b>	<b>24812-771</b>
		6	28	<b>24812-928</b>	<b>24812-978</b>	<b>24812-728</b>	<b>24812-778</b>
		6	42	<b>24812-942</b>	<b>24812-992</b>	<b>24812-742</b>	<b>24812-792</b>
		6	8	-	-	<b>24812-808</b>	<b>24812-858</b>
		6	10	-	-	<b>24812-810</b>	<b>24812-860</b>
		6	12	-	-	<b>24812-812</b>	<b>24812-862</b>
		6	14	-	-	<b>24812-814</b>	<b>24812-864</b>
		6	21	-	-	<b>24812-821</b>	<b>24812-871</b>
	6	28	-	-	<b>24812-828</b>	<b>24812-878</b>	
	6	42	-	-	<b>24812-842</b>	<b>24812-892</b>	

- Description of individual components, guide rails, dimension drawings, other combinations cover plates/rear panels etc. see from page 7.72

# Frame type plug-in units PRO ServicePLUS

## INDIVIDUAL COMPONENTS

## FRONT PANELS, FRONT HANDLES

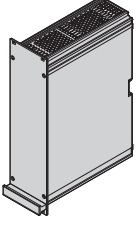
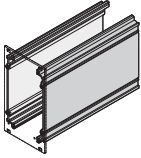
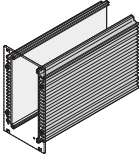
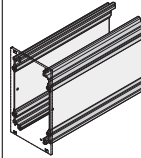
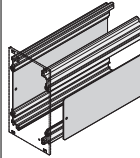
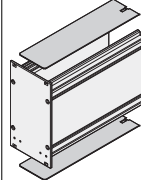
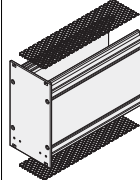
	Front panel		Shieldable front panel, U profile				Trapeziform handle, grey (without extraction function)	
	unshielded		Front panel	EMC shielding - textile, for front panel and 19" bracket/corner profile		Grey	Black	
 04808124  04808060  04808061  04808062  04808063	Al, 2.5 mm, front anodized, rear anodized, cut edges blank	Al extrusion, alignment pin pressed-in, front anodised, rear conductive	always fixed laterally on the front panel, in the groove of the profile, textile gasket, core: foam, TPE foam; sleeve: textile cladding with CuNi coating, UL 94 V-0 temperature range -40 ... 70 °C	always fixed laterally on the front panel, in the groove of the profile, textile gasket, core: foam, silicon with hollow chamber; sleeve: textile cladding with CuNi coating, UL 94 V-0 temperature range -40 ... +85 °C	handle: PPE, UL 94 V-1; identification plate: Al, 1.5 mm, anodised, cut edges plain; please order clip separately (included in mounting kit for five plug-in units or individual parts) 7.75			
	Supplied quantity for assembly of 5 frame type plug-in units							
	1 piece (SPQ 5) <sup>1)</sup>	1 piece (SPQ 5) <sup>1)</sup>	Temperature range -40... +70 °C PU 10 pieces   PU 100 pieces	Temperature range -40... +85 °C PU 10 pieces   PU 100 pieces	1 piece (SPQ 5) <sup>1)</sup>	1 piece (SPQ 5) <sup>1)</sup>		
<b>3 U Height</b>								
PCB depth 160 mm								
8	<b>34812-108</b>	<b>34813-108</b>					<b>20808-062</b>	<b>20808-083</b>
10	<b>34812-110</b>	<b>34813-110</b>					<b>20808-004</b>	<b>20808-085</b>
12	<b>34812-112</b>	<b>34813-112</b>					<b>20808-064</b>	<b>20808-086</b>
14	<b>34812-114</b>	<b>34813-114</b>	<b>21101-853</b>	<b>21101-854</b>	<b>21102-853</b>	<b>21102-854</b>	<b>20808-065</b>	<b>20808-087</b>
21	<b>34812-121</b>	<b>34813-121</b>					<b>20808-066</b>	<b>20808-088</b>
28	<b>34812-128</b>	<b>34813-128</b>					<b>20808-067</b>	<b>20808-089</b>
42	<b>34812-142</b>	<b>34813-142</b>					<b>20808-068</b>	<b>20808-091</b>
PCB depth 220 mm								
8	<b>34812-108</b>	<b>34813-108</b>					<b>20808-062</b>	<b>20808-083</b>
10	<b>34812-110</b>	<b>34813-110</b>					<b>20808-004</b>	<b>20808-085</b>
12	<b>34812-112</b>	<b>34813-112</b>					<b>20808-064</b>	<b>20808-086</b>
14	<b>34812-114</b>	<b>34813-114</b>	<b>21101-853</b>	<b>21101-854</b>	<b>21102-853</b>	<b>21102-854</b>	<b>20808-065</b>	<b>20808-087</b>
21	<b>34812-121</b>	<b>34813-121</b>					<b>20808-066</b>	<b>20808-088</b>
28	<b>34812-128</b>	<b>34813-128</b>					<b>20808-067</b>	<b>20808-089</b>
42	<b>34812-142</b>	<b>34813-142</b>					<b>20808-068</b>	<b>20808-091</b>
<b>6 U Height</b>								
PCB depth 160 mm								
8	<b>34812-608</b>	<b>34813-608</b>					<b>20808-062</b>	<b>20808-083</b>
10	<b>34812-610</b>	<b>34813-610</b>					<b>20808-004</b>	<b>20808-085</b>
12	<b>34812-612</b>	<b>34813-612</b>					<b>20808-064</b>	<b>20808-086</b>
14	<b>34812-614</b>	<b>34813-614</b>	<b>21101-855</b>	<b>21101-856</b>	<b>21102-855</b>	<b>21102-856</b>	<b>20808-065</b>	<b>20808-087</b>
21	<b>34812-621</b>	<b>34813-621</b>					<b>20808-066</b>	<b>20808-088</b>
28	<b>34812-628</b>	<b>34813-628</b>					<b>20808-067</b>	<b>20808-089</b>
42	<b>34812-642</b>	<b>34813-642</b>					<b>20808-068</b>	<b>20808-091</b>
PCB depth 220 mm								
8	<b>34812-608</b>	<b>34813-608</b>					<b>20808-062</b>	<b>20808-083</b>
10	<b>34812-610</b>	<b>34813-610</b>					<b>20808-004</b>	<b>20808-085</b>
12	<b>34812-612</b>	<b>34813-612</b>					<b>20808-064</b>	<b>20808-086</b>
14	<b>34812-614</b>	<b>34813-614</b>	<b>21101-855</b>	<b>21101-856</b>	<b>21102-855</b>	<b>21102-856</b>	<b>20808-065</b>	<b>20808-087</b>
21	<b>34812-621</b>	<b>34813-621</b>					<b>20808-066</b>	<b>20808-088</b>
28	<b>34812-628</b>	<b>34813-628</b>					<b>20808-067</b>	<b>20808-089</b>
42	<b>34812-642</b>	<b>34813-642</b>					<b>20808-068</b>	<b>20808-091</b>
Dimensions see page	7.79	7.79					7.79	7.79

1) SPQ (standard pack quantity): Order number includes 1 piece, but delivery is exclusively made in standard pack quantity (SPQ); please order at least the SPQ quantity or a multiple thereof

Order number includes one packaging unit (PU); delivery is exclusively made in PU

# Frame type plug-in units PRO ServicePLUS

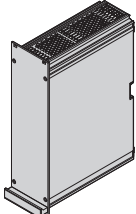
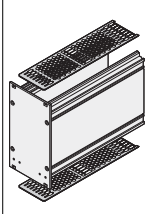

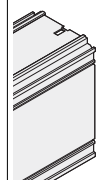
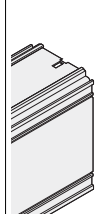
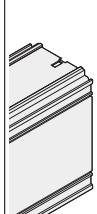
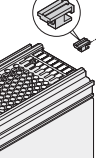
**INDIVIDUAL COMPONENTS**
**SIDE PANELS, COVER PLATES, GUIDE RAILS**

	Extruded side panel		Extruded side panel with cooling fins		Side panel, corner profile and side plate		Cover plate	
	Left	Right	Left	Right	Corner profile	Side plate	Without perforation	With perforation
 <p>04808124</p> <p>Supplied quantity for assembly of 5 frame type plug-in units</p>	 <p>04808065</p>	 <p>04811050</p>	 <p>04808066</p>	 <p>04808067</p>	 <p>04808068</p>	 <p>04808070</p>		
	<p>Al extrusion, colourless passivated, with groove for one PCB; 3 U symmetrical; 6 U asymmetrical, right and left side panel different)</p> <p>Side panels with and without cooling fins can be combined</p>	<p>Al extrusion, colourless passivated, with groove for one PCB; 3 U symmetrical; 6 U asymmetrical</p> <p>Side panels with and without cooling fins can be combined</p>	<p>Al extrusion, colourless passivated, with groove for one PCB, please order side plate separately</p>	<p>St, 1 mm, zinc-plated, is inserted into side panel rear angle</p>	<p>St, 1.0 mm, zinc-plated; PCB only possible in slot 1</p>	<p>St, 1.2 mm, Al, airflow rate in perforated area approx. 65%; PCB only possible in slot 1</p>		
	1 piece (SPQ 10) <sup>1)</sup>	1 piece (SPQ 10) <sup>1)</sup>	1 piece (SPQ 10) <sup>1)</sup>	1 piece (SPQ 10) <sup>1)</sup>	1 piece (SPQ 10) <sup>1)</sup>	1 piece (SPQ 5) <sup>1)</sup>	1 piece (SPQ 10) <sup>1)</sup>	1 piece (SPQ 10) <sup>1)</sup>
<b>3 U Height</b>								
PCB depth 160 mm								
8							<b>34812-408</b>	<b>34812-958</b>
10							<b>34812-410</b>	<b>34812-960</b>
12							<b>34812-412</b>	<b>34812-962</b>
14	<b>34812-100</b>	<b>34812-100</b>	<b>34812-200</b>	<b>34812-200</b>	<b>34812-102</b>	<b>34812-103</b>	<b>34812-414</b>	<b>34812-964</b>
21	1 piece (SPQ 10) <sup>1)</sup>	1 piece (SPQ 10) <sup>1)</sup>					<b>34812-421</b>	<b>34812-971</b>
28							<b>34812-428</b>	<b>34812-978</b>
42							<b>34812-442</b>	<b>34812-992</b>
PCB depth 220 mm								
8							<b>34813-408</b>	<b>34813-958</b>
10							<b>34813-410</b>	<b>34813-960</b>
12							<b>34813-412</b>	<b>34813-962</b>
14	<b>34813-100</b>	<b>34813-100</b>	<b>34813-200</b>	<b>34813-200</b>	<b>34813-102</b>	<b>34813-103</b>	<b>34813-414</b>	<b>34813-964</b>
21	1 piece (SPQ 10) <sup>1)</sup>	1 piece (SPQ 10) <sup>1)</sup>					<b>34813-421</b>	<b>34813-971</b>
28							<b>34813-428</b>	<b>34813-978</b>
42							<b>34813-442</b>	<b>34813-992</b>
<b>6 U Height</b>								
PCB depth 160 mm								
8							<b>34812-408</b>	<b>34812-958</b>
10							<b>34812-410</b>	<b>34812-960</b>
12							<b>34812-412</b>	<b>34812-962</b>
14	<b>34812-600</b>	<b>34812-601</b>	-	<b>34812-701</b>	<b>34812-102</b>	<b>34812-603</b>	<b>34812-414</b>	<b>34812-964</b>
21	1 piece (SPQ 5) <sup>1)</sup>	1 piece (SPQ 5) <sup>1)</sup>					<b>34812-421</b>	<b>34812-971</b>
28							<b>34812-428</b>	<b>34812-978</b>
42							<b>34812-442</b>	<b>34812-992</b>
PCB depth 220 mm								
8							<b>34813-408</b>	<b>34813-958</b>
10							<b>34813-410</b>	<b>34813-960</b>
12							<b>34813-412</b>	<b>34813-962</b>
14	<b>34813-600</b>	<b>34813-601</b>	-	<b>34813-701</b>	<b>34813-102</b>	<b>34813-603</b>	<b>34813-414</b>	<b>34813-964</b>
21	1 piece (SPQ 5) <sup>1)</sup>	1 piece (SPQ 5) <sup>1)</sup>					<b>34813-421</b>	<b>34813-971</b>
28							<b>34813-428</b>	<b>34813-978</b>
42							<b>34813-442</b>	<b>34813-992</b>
Dimensions see page	7.77	7.77	7.77	7.77	7.78	7.78	7.84	7.84

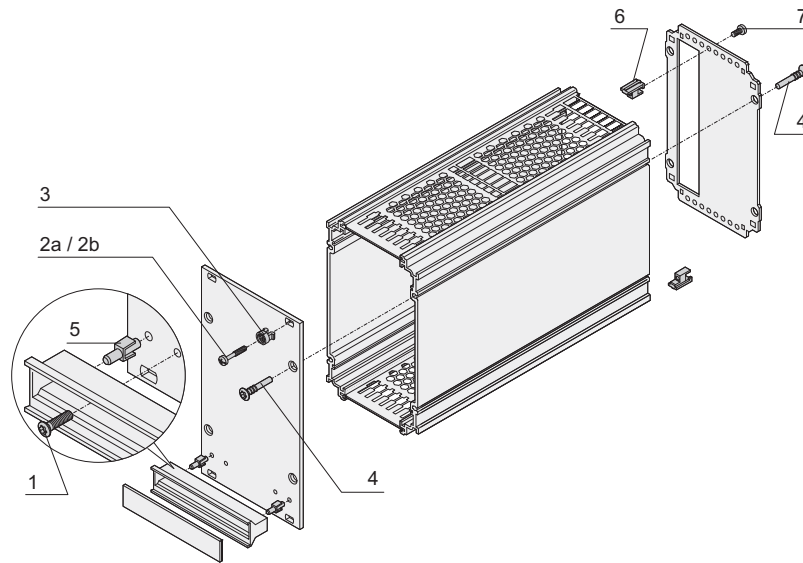
1) SPQ (standard pack quantity): Part number includes 1 piece, but delivery is exclusively made in standard pack quantity (SPQ); please order at least the SPQ quantity or a multiple

# Frame type plug-in units PRO ServicePLUS


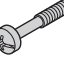
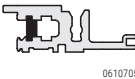
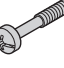
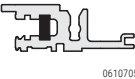

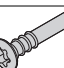
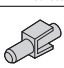
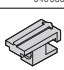
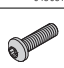
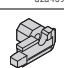
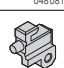
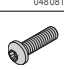

**INDIVIDUAL COMPONENTS**
**REAR PANELS, ASSEMBLY MATERIAL**

	With perforation for guide rails		Rear panel			Rear panel fastener for connection of rear panel with cover plate	Assembly kit
	Cover plate	Guide rail	Without cut-out	Cut-out for one connector	Cut-out for multiple connectors		
 04808124  04808069  04808074  04808073  04808071  04808072  04808123	St, 1.0 mm, zinc-plated; air flow rate in perforated area approx. 60 %; please order snap-in guide rails separately	PBT, UL 94 V-0, red, groove width 2 mm, PCB fixing required from slot 2, see page 7.76	St, 1.5 mm, zinc-plated	St, 1.5 mm, zinc-plated	St, 1.5 mm, zinc-plated, for EN 60603 (DIN 41612) connectors, types: B, C, D, F, H, Q, R, S	10 rear panel fasteners, Zn die-cast; 10 fixing screws; not suitable for cover plate with perforation	for mounting five 3 U or 6 U frame type plug-in units from ServicePLUS components: front panel, rear panel, side panel, cover plate and handle, <b>Delivery includes:</b> 40x screw 3x20, Torx, self-tapping; 30x plastic nipples; 30x neck screw M2.5x12.3; 10x fixing clip; 10x pan head screw M2.5x10, Torx  description see page 7.75
Supplied quantity for assembly of 5 frame type plug-in units	1 piece (SPQ 10) <sup>1)</sup>	PU 10 pieces	1 piece (SPQ 5) <sup>1)</sup>	1 piece (SPQ 5) <sup>1)</sup>	1 piece (SPQ 5) <sup>1)</sup>	PU 1 kit	PU 1 kit
<b>3 U Height</b>							
PCB depth 160 mm							
8	<b>34812-908</b>	<b>24812-101</b>	<b>34813-208</b>	<b>34812-208</b>	<b>34812-308</b>	<b>24812-401</b>	<b>24812-100</b>
10	<b>34812-910</b>		<b>34813-210</b>	<b>34812-210</b>	<b>34812-310</b>		
12	<b>34812-912</b>		<b>34813-212</b>	<b>34812-212</b>	<b>34812-312</b>		
14	<b>34812-914</b>		<b>34813-214</b>	<b>34812-214</b>	<b>34812-314</b>		
21	<b>34812-921</b>		<b>34813-221</b>	<b>34812-221</b>	<b>34812-321</b>		
28	<b>34812-928</b>		<b>34813-228</b>	<b>34812-228</b>	<b>34812-328</b>		
42	<b>34812-942</b>		<b>34813-242</b>	<b>34812-242</b>	<b>34812-342</b>		
PCB depth 220 mm							
8	<b>34813-908</b>	<b>24812-101</b>	<b>34813-208</b>	<b>34812-208</b>	<b>34812-308</b>	<b>24812-401</b>	<b>24812-100</b>
10	<b>34813-910</b>		<b>34813-210</b>	<b>34812-210</b>	<b>34812-310</b>		
12	<b>34813-912</b>		<b>34813-212</b>	<b>34812-212</b>	<b>34812-312</b>		
14	<b>34813-914</b>		<b>34813-214</b>	<b>34812-214</b>	<b>34812-314</b>		
21	<b>34813-921</b>		<b>34813-221</b>	<b>34812-221</b>	<b>34812-321</b>		
28	<b>34813-928</b>		<b>34813-228</b>	<b>34812-228</b>	<b>34812-328</b>		
42	<b>34813-942</b>		<b>34813-242</b>	<b>34812-242</b>	<b>34812-342</b>		
<b>6 U Height</b>							
PCB depth 160 mm							
8	<b>34812-908</b>	<b>24812-101</b>	<b>34813-708</b>	<b>34812-708</b>	<b>34812-808</b>	<b>24812-401</b>	<b>24812-100</b>
10	<b>34812-910</b>		<b>34813-710</b>	<b>34812-710</b>	<b>34812-810</b>		
12	<b>34812-912</b>		<b>34813-712</b>	<b>34812-712</b>	<b>34812-812</b>		
14	<b>34812-914</b>		<b>34813-714</b>	<b>34812-714</b>	<b>34812-814</b>		
21	<b>34812-921</b>		<b>34813-721</b>	<b>34812-721</b>	<b>34812-821</b>		
28	<b>34812-928</b>		<b>34813-728</b>	<b>34812-728</b>	<b>34812-828</b>		
42	<b>34812-942</b>		<b>34813-742</b>	<b>34812-742</b>	<b>34812-842</b>		
PCB depth 220 mm							
8	<b>34813-908</b>	<b>24812-101</b>	<b>34813-708</b>	<b>34812-708</b>	<b>34812-808</b>	<b>24812-401</b>	<b>24812-100</b>
10	<b>34813-910</b>		<b>34813-710</b>	<b>34812-710</b>	<b>34812-810</b>		
12	<b>34813-912</b>		<b>34813-712</b>	<b>34812-712</b>	<b>34812-812</b>		
14	<b>34813-914</b>		<b>34813-714</b>	<b>34812-714</b>	<b>34812-814</b>		
21	<b>34813-921</b>		<b>34813-721</b>	<b>34812-721</b>	<b>34812-821</b>		
28	<b>34813-928</b>		<b>34813-728</b>	<b>34812-728</b>	<b>34812-828</b>		
42	<b>34813-942</b>		<b>34813-742</b>	<b>34812-742</b>	<b>34812-842</b>		
Dimensions see page	7.84	7.81	7.80	7.80	7.80		

1) SPQ (standard pack quantity): Part number includes 1 piece, but delivery is exclusively made in standard pack quantity (SPQ); please order at least the SPQ quantity or a multiple  
 Part no. includes one packing unit (PU); delivery is exclusively made in PU

**INDIVIDUAL COMPONENTS**
**FIXING MATERIAL (100 PIECES)**


04808085

Fixing parts	Item		Required quantity per plug-in unit	Description	Qty/PU	Part No.
<b>Fixing parts for mounting the module in subrack or case</b>						
Torx panhead screw, M2.5 x 10, St, zinc-plated, self-forming thread	1		2	Assembly of handle on front panel	100	<b>24560-179</b>
Collar screws pozidrive/slot (Phillips) M2.5 x 12.3, St, nickel-plated	2a		4 / 6*	 Mounting of front panel on horizontal rail with threaded insert pushed in to front	100	<b>21102-026</b>
Slotted Pozidrive collar screw M2.5 x 12.3, St, nickel-plated	2b		4 / 6*	 Front panel is fitted to horizontal rail with threaded insert pushed in to rear in the standard position	100	<b>21101-101</b>
Plastic sleeves for form hole 5.9 x 3.3, PA, UL 94 V-2, grey	3		4 / 6*	Is needed to fix collar screws	100	<b>21100-464</b>
<b>Fixing parts for mounting the module</b>						
Torx raised countersunk panhead screw, T8 3 x 20, St, nickel-plated	4		8	Assembly of front panel and rear panel on extruded side panel/rear extrusion of side panel	100	<b>24812-501</b>
Fixing clip for trapeziform plastic handle PPE UL 94 V-0, black	5		2	Alignment aid for handle on front panel	100	<b>21101-239</b>
Rear panel fastener Zn die-cast	6		2	To stabilise rear panel with wide frame-type plug-in units	100	<b>24812-402</b>
Torx panhead screw, T8 M2.5 x 10, St, nickel-plated	7		2	To fix rear panel fastener or board fixing	100	<b>24560-148</b>
Board support (slot 1) Zn die-cast			2	Board support (slot 1) see page 7.76	50 Paar	<b>24812-202</b>
Board support (from slot 2) Zn die-cast			2	Board support (from slot 2) see page 7.76	50 Paar	<b>24812-302</b>
Torx panhead screw, T8 M2.5 x 6, St, nickel-plated			2	is needed for board fixing without connector see page 7.76	100	<b>24560-178</b>
Torx screwdriver T8			1			<b>64560-026</b>

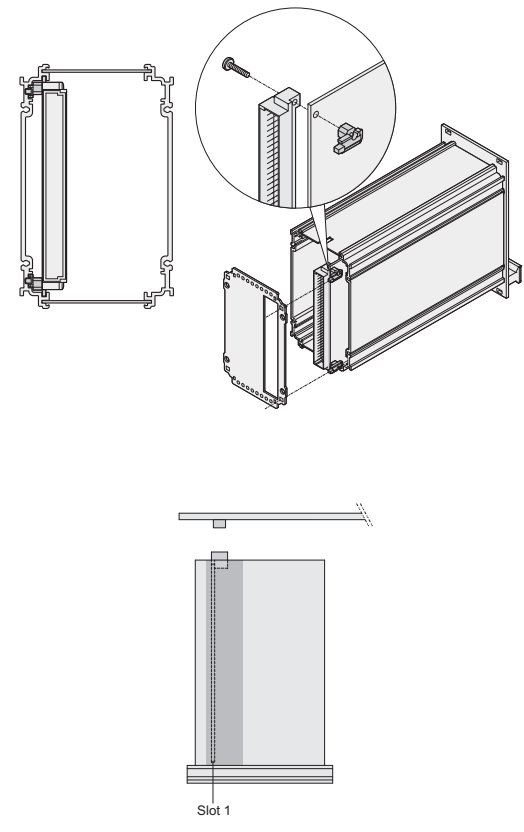
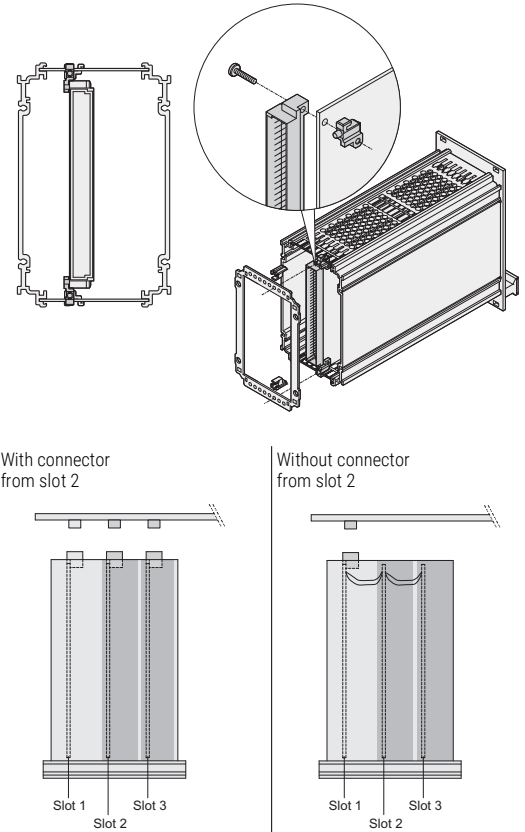
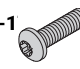
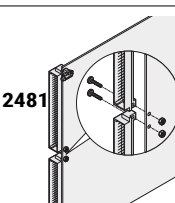
\* on 42 HP EMC shielded frame type plug-in units

• Further collar screws and sleeves see page 7.107

# Frame type plug-in units PRO ServicePLUS

## INDIVIDUAL COMPONENTS

## BOARD FIXING

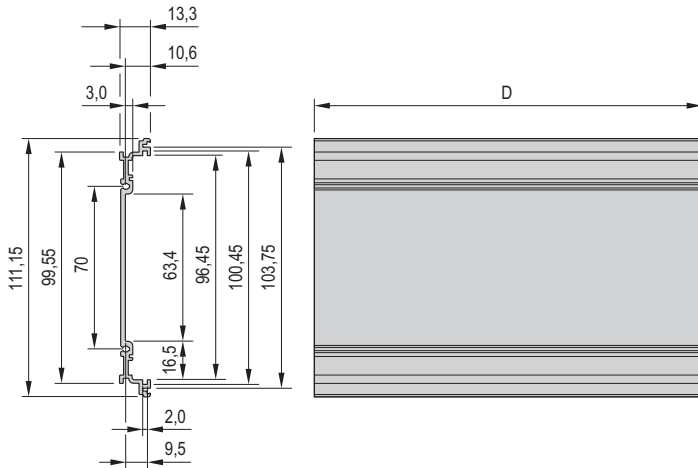
	Board fixing slot 1	Board fixing from slot 2	
	 <p style="text-align: center;">Slot 1</p> <p style="text-align: center;"><small>04808118 04808109 04808129</small></p>	 <p style="text-align: center;">Slot 1 Slot 3 Slot 2 Slot 2</p> <p style="text-align: center;"><small>04808119 04808110 bga42785 kaa46417</small></p>	
	<p>Zn die-cast, Torx panhead screw M2.5 x 10; PCB is pushed into the guiding groove of the left side panel/ side panel rear angle, is fixed with rear panel</p>	<p>Zn die-cast, Torx panhead screw M2.5 x 10; PCB is pushed into guide rail, is fixed with rear panel</p>	
Height	PU 5 pair	PU 5 pair	
3 U	<b>24812-201</b>	<b>24812-301</b>	
6 U	<b>24812-201</b>	<b>24812-301</b>	
<b>Assembly kits</b>		With connector from slot 2	Without connector from slot 2
<p>Torx panhead screw, M2.5 x 6, St, nickel-plated, PU 100 pieces; is needed for board fixing without connector</p>	<p><b>24560-1</b></p>  <p style="text-align: center;"><small>aza45940</small></p>	-	<p><b>24560-178</b></p>
<p>Connector mounting on PCB, for 6 U frame type plug-in units (centre) Torx panhead screw M2.5 x 10, nut M2.5; PU 10 pieces (screw + nut)</p>	<p><b>2481</b></p>  <p style="text-align: center;"><small>04808120</small></p>	<p><b>24812-600</b></p>	

# Frame type plug-in units PRO

## DIMENSIONS

## SIDE PANEL WITHOUT COOLING FINNS

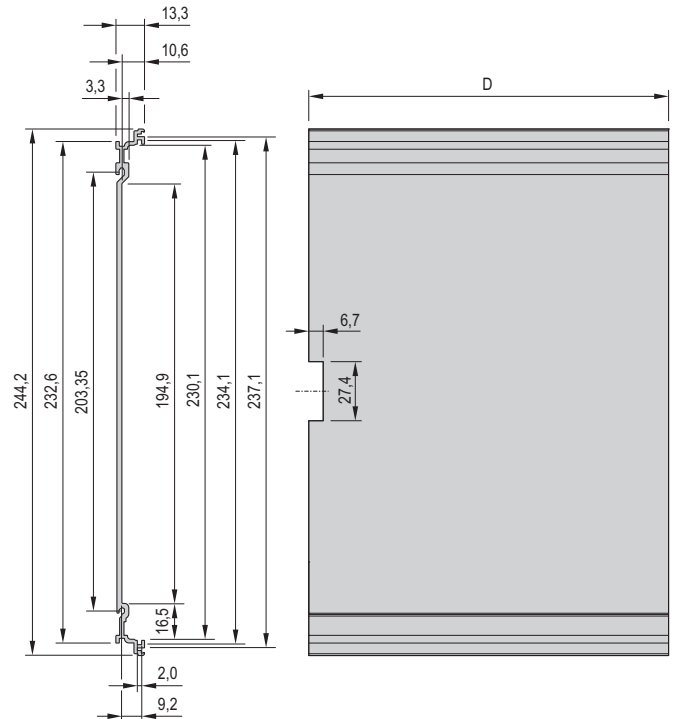
3 U



Depth = 167/227 mm

04808101

6 U

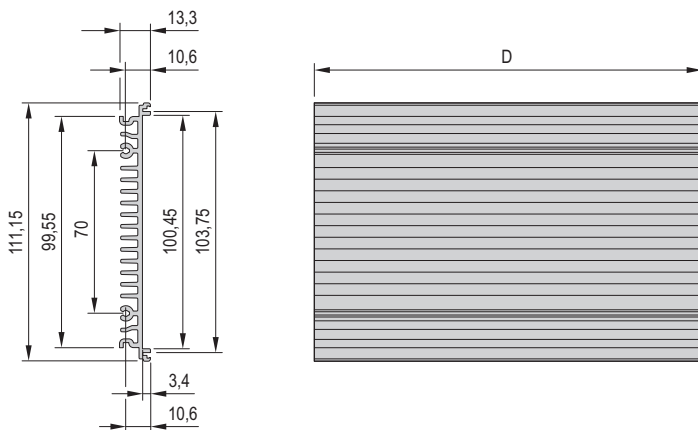


04808102

## DIMENSIONS

## SIDE PANEL WITH COOLING FINNS

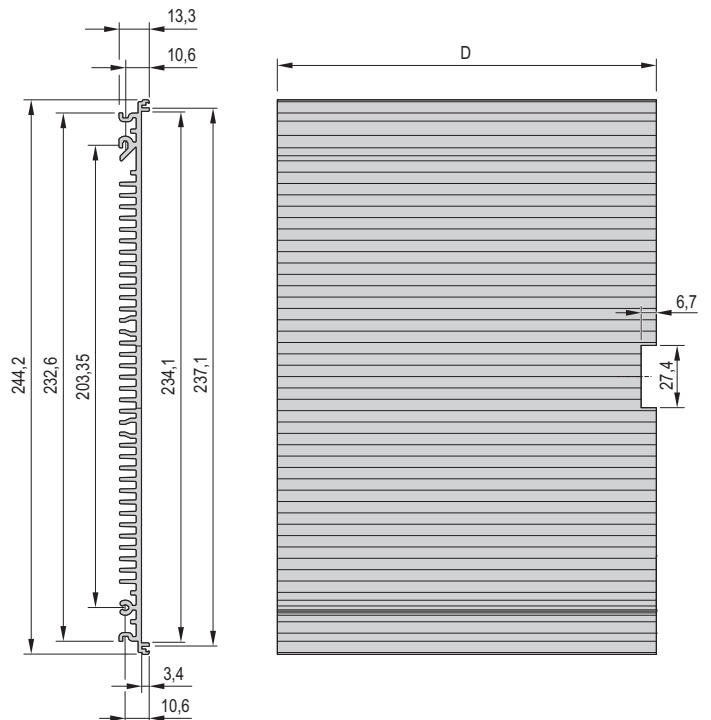
3 U



Depth = 167/227 mm

04811051

6 U

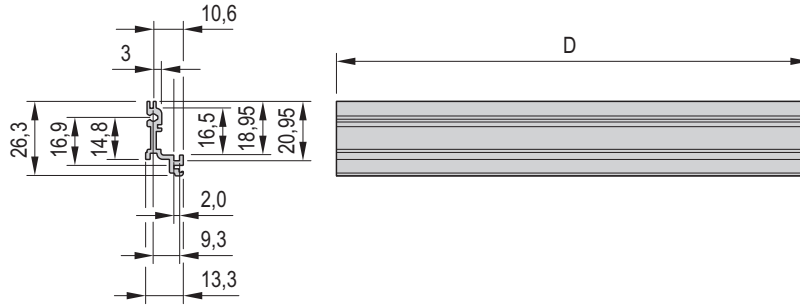


04811052

# Frame type plug-in units PRO

**DIMENSIONS**

**SIDE PANEL REAR ANGLE**

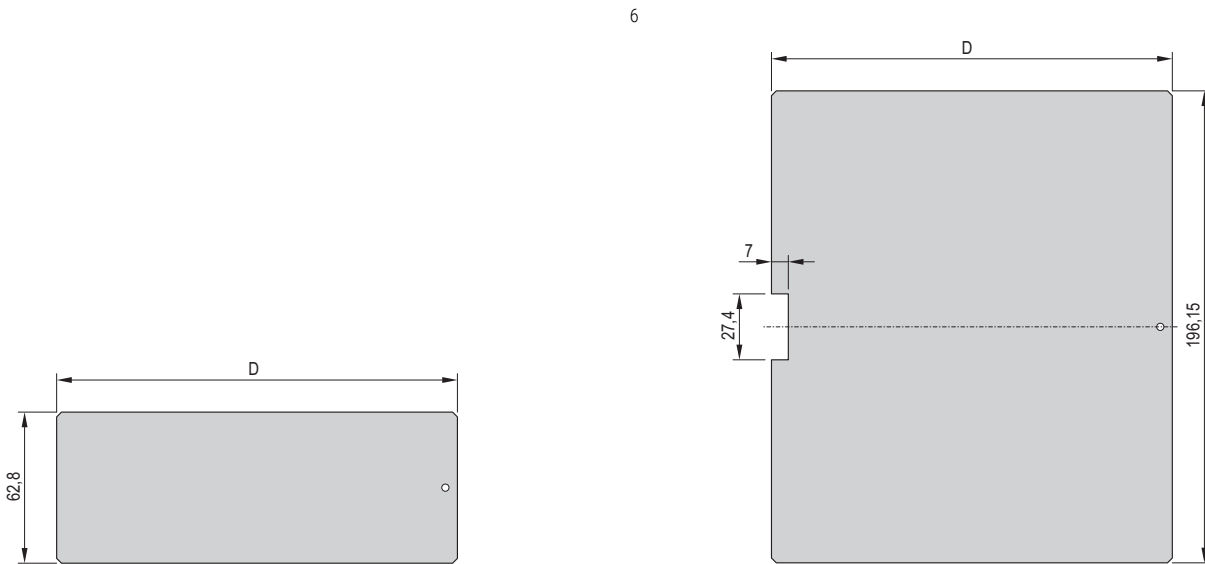


Depth = 167/227 mm

04808103

**DIMENSIONS**

**SIDE PLATE**



3 U for side panel rear angle

04808100

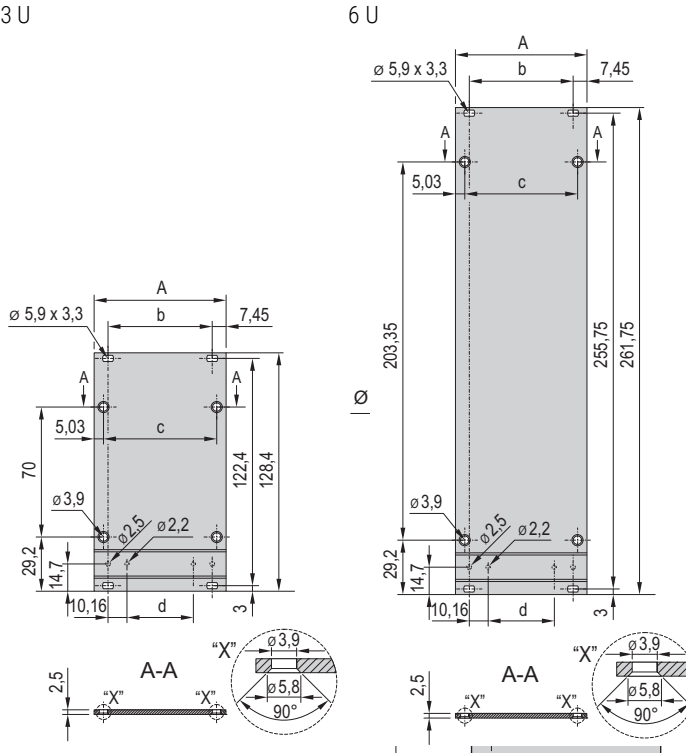
6 U for side panel rear angle

04808099

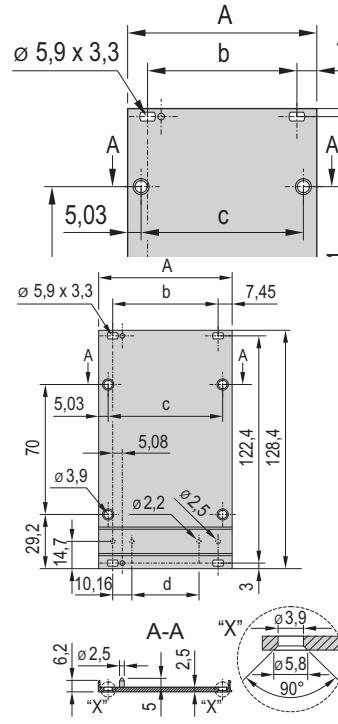


# Frame type plug-in units PRO

**DIMENSIONS**
**FRONT PANELS**

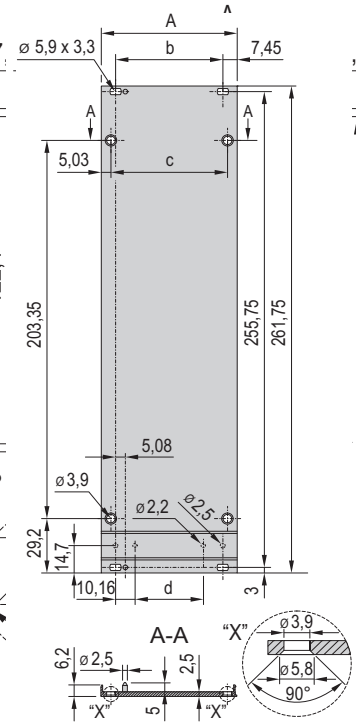
 Unshielded  
3 U


04808086

 Shieldable, for EMC textile gasket  
3 U


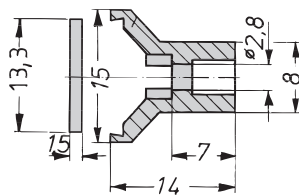
04808087

6 U



04808089

Width	A	b	c	d
	mm	mm	mm	mm
8 HP	40.30	25.40	30.24	5.08
10 HP	50.46	35.56	40.40	15.24
12 HP	60.62	45.72	50.56	25.40
14 HP	70.78	55.88	60.72	35.56
21 HP	106.34	91.44	96.28	71.12
28 HP	141.90	127.00	131.84	106.68
42 HP	213.02	198.12	202.96	177.80

**DIMENSIONS**
**FRONT HANDLE**


A4-328e

**Dimensions table**

Width	Width
HP	mm
8 HP	39.2
10 HP	49.4
12 HP	59.6
14 HP	69.7
21 HP	105.2
28 HP	140.8
42 HP	212.0

# Frame type plug-in units PRO

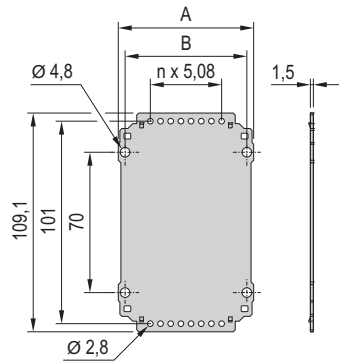
## DIMENSIONS

### REAR PANEL 3 U

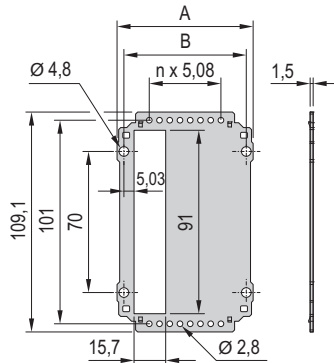
Without cut-out

For one connector

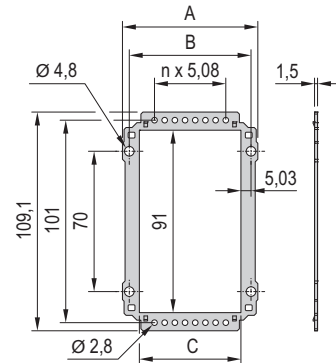
For multiple connectors



04808092



04808091



04808090

Dimensions table

	A	B	C	n
HP	mm	mm	mm	
8 HP	37.04	30.24	20.18	1
10 HP	47.20	40.40	30.34	3
12 HP	57.36	50.56	40.50	5
14 HP	67.52	60.72	50.66	7
21 HP	103.08	96.28	86.22	14
28 HP	138.64	131.84	121.78	21
42 HP	209.76	202.96	192.90	35

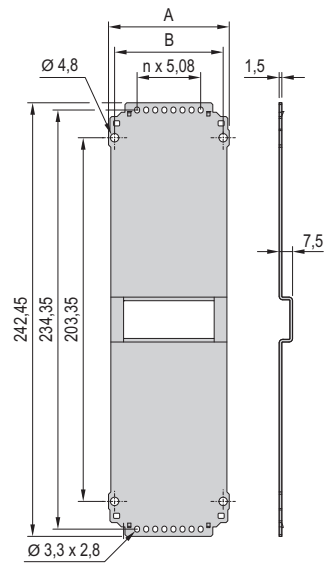
## DIMENSIONS

### REAR PANEL 6 U

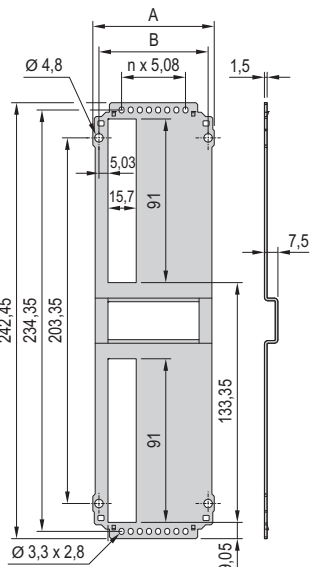
Without cut-out

For one connector

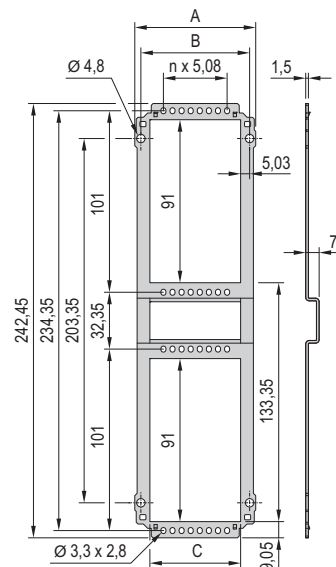
For multiple connectors



04808095



04808094

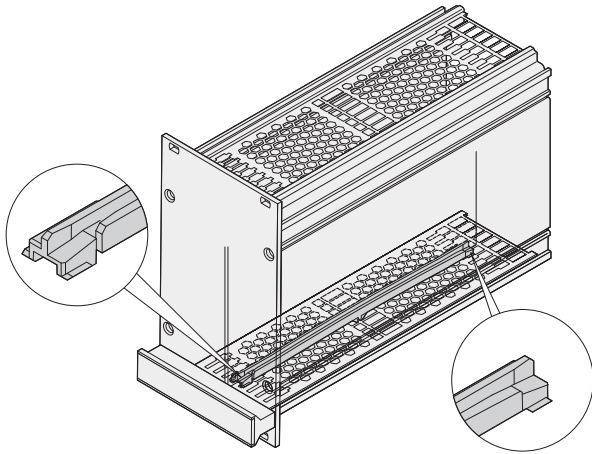


04808093

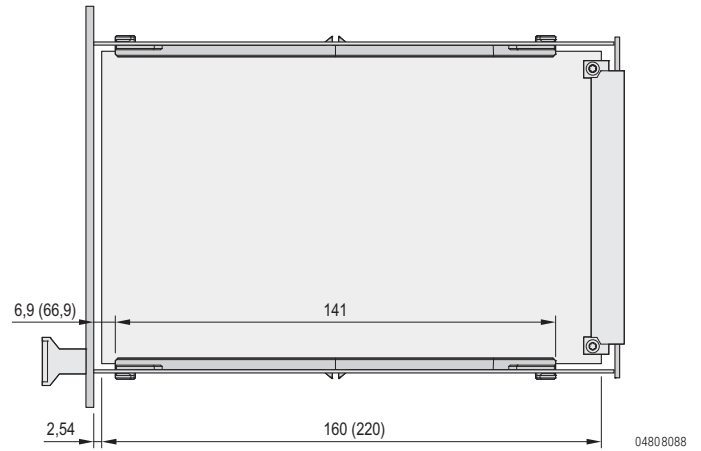
Dimensions table

	A	B	C	n
HP	mm	mm	mm	
8 HP	37.04	30.24	20.18	1
10 HP	47.20	40.40	30.34	3
12 HP	57.36	50.56	40.50	5
14 HP	67.52	60.72	50.66	7
21 HP	103.08	96.28	86.22	14
28 HP	138.64	131.84	121.78	21
42 HP	209.76	202.96	192.90	35

# Frame type plug-in units PRO

**DIMENSIONS**
**GUIDE RAIL**


04808096



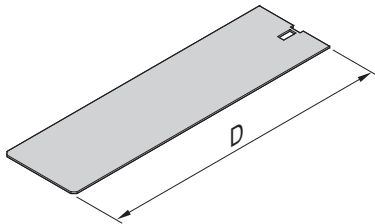
04808088

**DIMENSIONS**
**COVER PLATES**

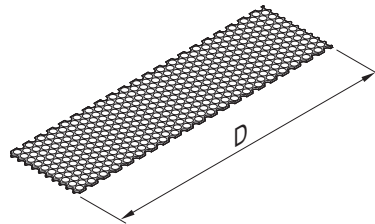
without perforation

with perforation

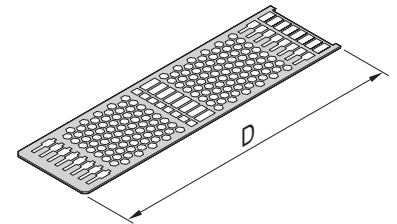
for guide rail mounting



04808104



04808106



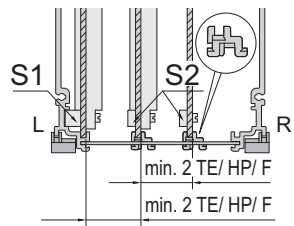
04808105

D = 167/227 mm

# Frame type plug-in units PRO

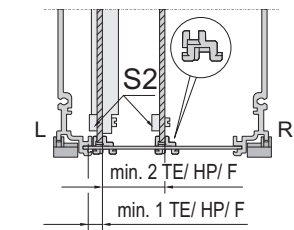
**DIMENSIONS**
**MOUNTING INSTRUCTIONS FOR GUIDE RAILS IN FRAME TYPE PLUG-IN UNITS**

Slot 1 + slot 2



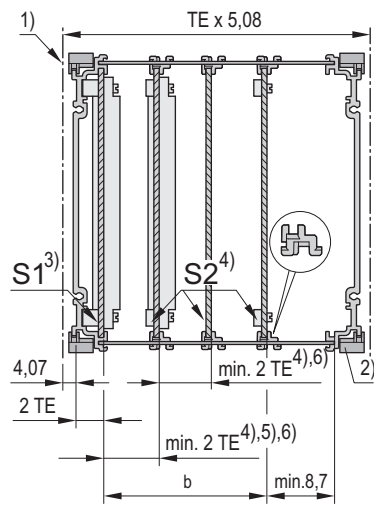
04809050

Slot 2



04809051

Front view



04808107

- Mounting pitch for guide rails: 1 HP
- Min. distance between 2 guide rails: 2 HP

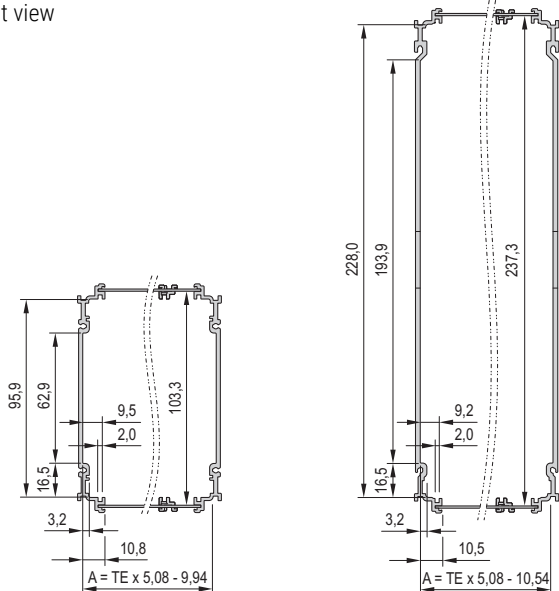
Width of frame type plug-in unit HP	b mm	Max. number of PCBs mountable	
		slot 1	from slot 2
8	-	1	1
	5.08	-	1 <sup>5)</sup>
10	10.16	1	1 <sup>6)</sup>
	15.24	-	2 <sup>5)6)</sup>
12	20.32	1	2 <sup>6)</sup>
	25.40	-	3 <sup>5)6)</sup>
14	30.48	1	3 <sup>6)</sup>
	35.56	-	4 <sup>5)6)</sup>
21	71.12	1	7 <sup>6)</sup>
	66.04	-	7 <sup>5)6)</sup>
28	101.60	1	10 <sup>6)</sup>
	106.68	-	11 <sup>5)6)</sup>
42	172.72	1	17 <sup>6)</sup>
	177.80	-	18 <sup>5)6)</sup>

TE = HP = F

- 1) Division line
- 2) Guide rail rotated by 180° from standard position
- 3) The first PCB is held in the extruded side panel, corresponds to standard position (slot 1)
- 4) All additional PCBs are fitted into guide rails (from slot 2)
- 5) Min. 1 HP where slot 1 is not used (slot 2)
- 6) Dependent on construction of connector used (not every connector allows a 2 HP fitting)

**DIMENSIONS**
**MOUNTING SPACE FRAME-TYPE PLUG-IN UNIT 3 U/6 U**

Front view



04808097

04808098

**DIMENSIONS TABLE**

Height U	Width		A mm
	HP		
3	8		30.70
	10		40.86
	12		51.02
	14		61.18
	21		96.74
	28		132.30
6	8		203.42
	10		30.10
	12		40.26
	14		50.42
	21		60.58
	28		96.14
6	28		131,70
	42		202.82

# Frame type plug-in units PRO with hood

## FRAME TYPE PLUG-IN UNITS PRO WITH HOOD, 3/6 U, FRONT PANEL SHIELDED (TEXTILE GASKET)



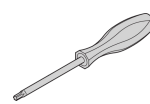
Illustration shows 12 HP width, side panel depth 167 mm

04808007

- Protects a PCB against mechanical damage and deflects electrostatic discharge; for euroboard formats
- Suitable in all subracks and these cases: ratiopacPRO/-air, propacPRO and compacPRO
- Useable connectors in accordance with EN 60603-2 (DIN 41612)
- 2 depths, for 160 mm and 220 mm boards

### DELIVERY COMPRISES (kit)

Item	Qty	Description
1	1	Front panel, U profile, 2.5 mm, front anodised, rear conductive, alignment pin pressed-in
2	1	Handle, grey, PPE, UL 94 V-1
3	1	Side panel, Al extrusion, colourless passivated, with groove for one PCB
4	1	Hood, Al, 1 mm, with perforation, rear panel integrated
5	1	EMC textile gasket
6	1	Assembly kit (*) (incl. PCB fixing for slot 1)



(\*) Screw Driver, Torx 8, **64560-026**

### ORDER INFORMATION

5 HP	6 ... 14 HP	Height	Width	Depth = 167 mm	Depth = 227 mm	
		U	HP	Part no.	Part no.	
<p>04808075</p>	<p>04808113</p>	3	5	<b>24813-005</b>	<b>24813-055</b>	
		3	6	<b>24813-006</b>	<b>24813-056</b>	
		3	7	<b>24813-007</b>	<b>24813-057</b>	
		3	10	<b>24813-010</b>	<b>24813-060</b>	
		3	12	<b>24813-012</b>	<b>24813-062</b>	
		3	14	<b>24813-014</b>	<b>24813-064</b>	
	<p>04808076</p>	<p>04808114</p>	6	5	<b>24813-505</b>	<b>24813-555</b>
			6	6	<b>24813-506</b>	<b>24813-556</b>
			6	7	<b>24813-507</b>	<b>24813-557</b>
			6	10	<b>24813-510</b>	<b>24813-560</b>
			6	12	<b>24813-512</b>	<b>24813-562</b>
			6	14	<b>24813-514</b>	<b>24813-564</b>

- Dimension drawings see from page 7.88

# Frame type plug-in units PRO with hood

## PLUG-IN UNITS PRO WITH HOOD, 3/6 U, FRONT PANEL UNSHIELDED



- Protects a PCB against mechanical damage and deflects electrostatic discharge; for euroboard formats
- Suitable in all subracks and these cases: ratiopacPRO/-air, propacPRO and compacPRO
- Useable connectors in accordance with EN 60603-2 (DIN 41612)
- 2 depths, for 160 mm or 220 mm board

### DELIVERY COMPRISES (kit)

Item	Qty	Description
1	1	Front panel, Al, 2.5 mm, anodised, cut edges plain
2	1	Handle, grey, PPE, UL 94 V-1
3	1	Side panel, Al extrusion, colourless passivated, with groove for one PCB
4	1	Hood, Al, 1 mm, with perforation, rear panel integrated
5	1	Assembly kit (*) (incl. PCB fixing for slot 1)

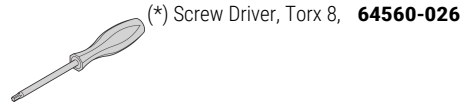
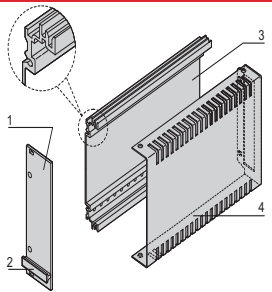
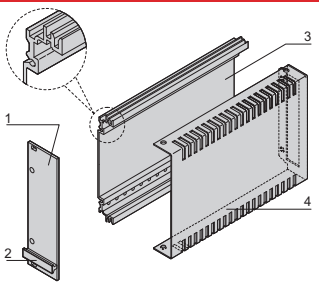
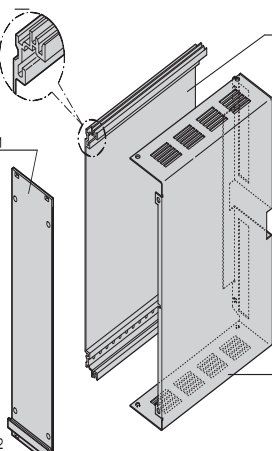
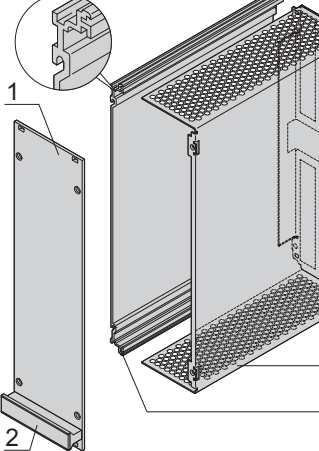


Illustration shows 12 HP width, side panel depth 167 mm

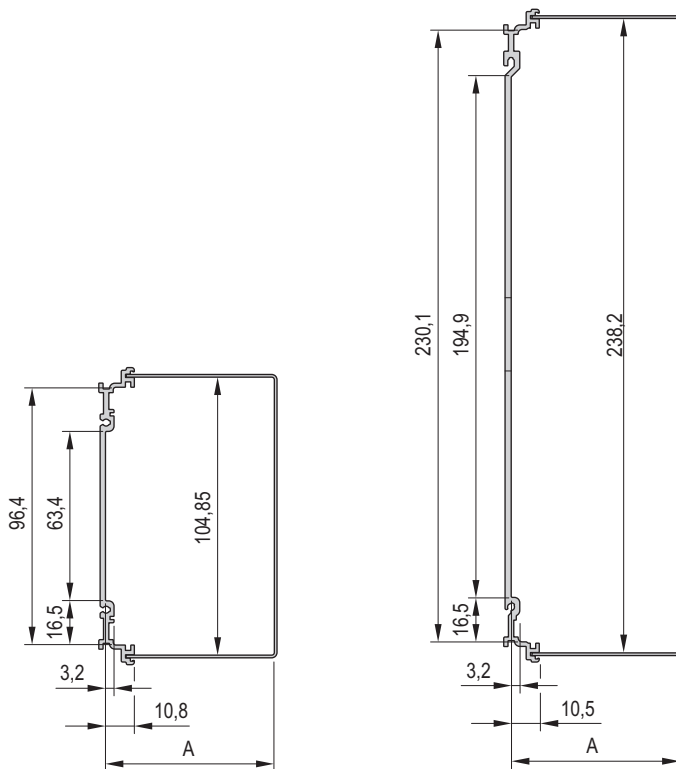
04808002

### ORDER INFORMATION

5 HP	6 ... 14 HP	Height U	Width HP	Depth = 167 mm Part no.	Depth = 227 mm Part no.
		3	5	<b>24812-005</b>	<b>24812-055</b>
		3	6	<b>24812-006</b>	<b>24812-056</b>
		3	7	<b>24812-007</b>	<b>24812-057</b>
		3	10	<b>24812-010</b>	<b>24812-060</b>
		3	12	<b>24812-012</b>	<b>24812-062</b>
		3	14	<b>24812-014</b>	<b>24812-064</b>
		6	5	<b>24812-505</b>	<b>24812-555</b>
		6	6	<b>24812-506</b>	<b>24812-556</b>
		6	7	<b>24812-507</b>	<b>24812-557</b>
		6	10	<b>24812-510</b>	<b>24812-560</b>
		6	12	<b>24812-512</b>	<b>24812-562</b>
		6	14	<b>24812-514</b>	<b>24812-564</b>

- Dimension drawings see from page 7.88

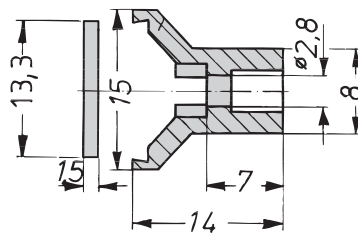
# Frame type plug-in units PRO with hood

**DIMENSIONS**
**CROSS-SECTION FRAME-TYPE PLUG-IN UNITS PRO WITH HOOD 3 U/6 U**


04808080

04808082

Height U	Width HP	A mm
3	5	17.52
3	6	22.60
3	7	27.68
3	10	42.92
3	12	53.08
3	14	63.24
<hr/>		
6	5	17.22
6	6	22.30
6	7	27.38
6	10	42.62
6	12	57.78
6	14	62.94

**DIMENSIONS**
**FRONT HANDLE**


a4-328e

**DIMENSIONS TABLE**

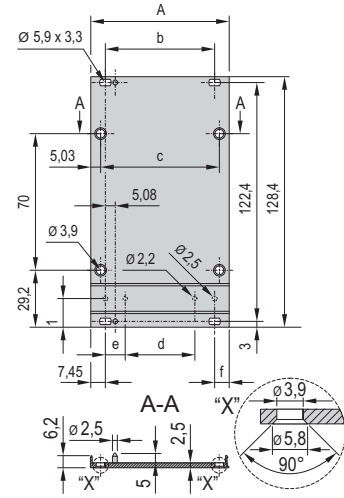
Width HP	Width mm
5	24.0
6	29.0
7	34.1
10	49.4
12	59.6
14	69.7

# Frame type plug-in units PRO with hood

## DIMENSIONS

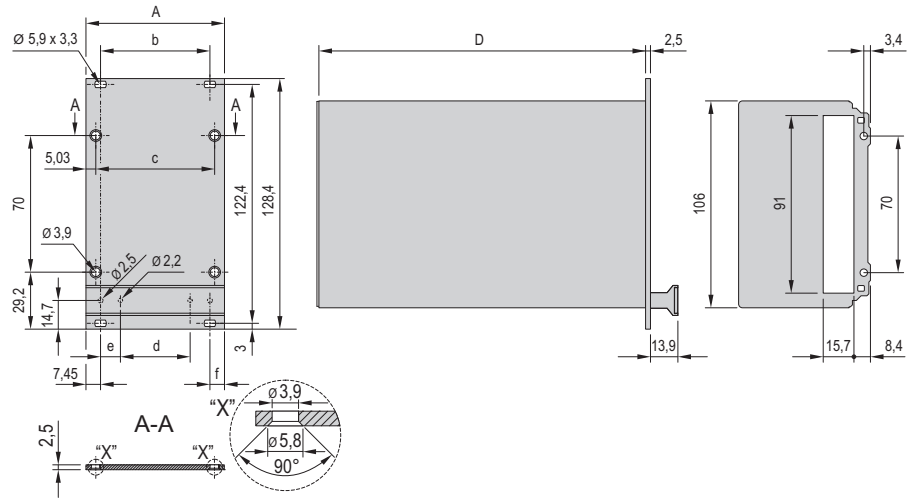
## 3/6 U FRAME-TYPE PLUG-IN UNITS PRO WITH HOOD

3 U Front panel shieldable



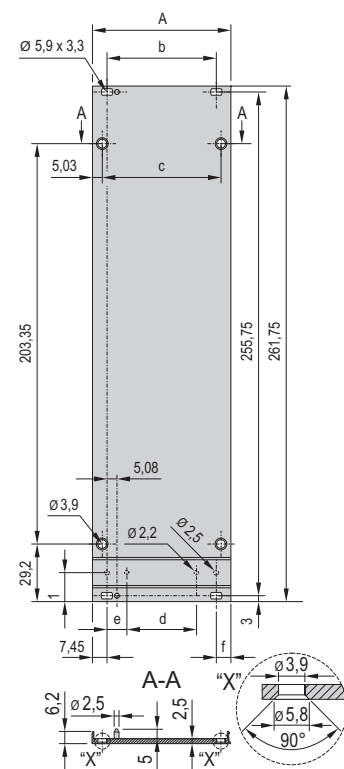
04808052

3 U Front panel unshielded



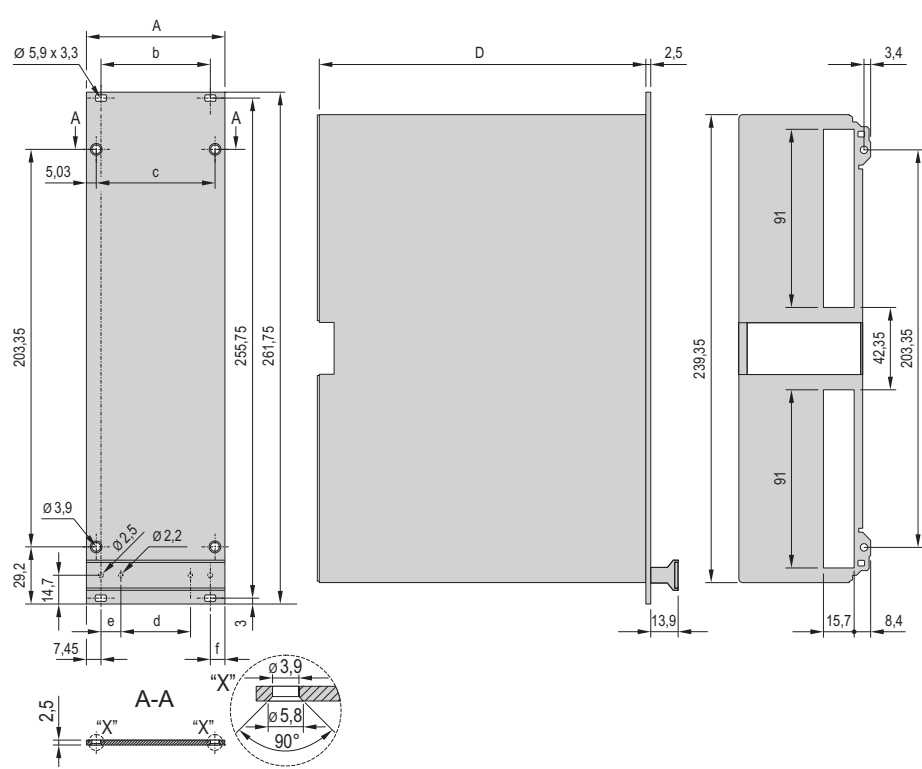
04808111

6 U Front panel shieldable



04809053

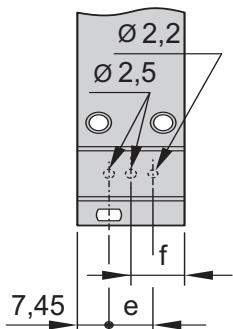
6 U Front panel unshielded



04808112

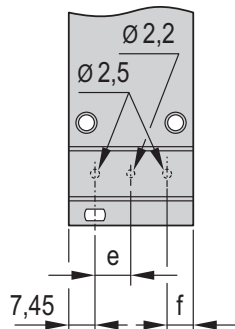
Front panel

5 HP



04809067

6 + 7 HP



04809066

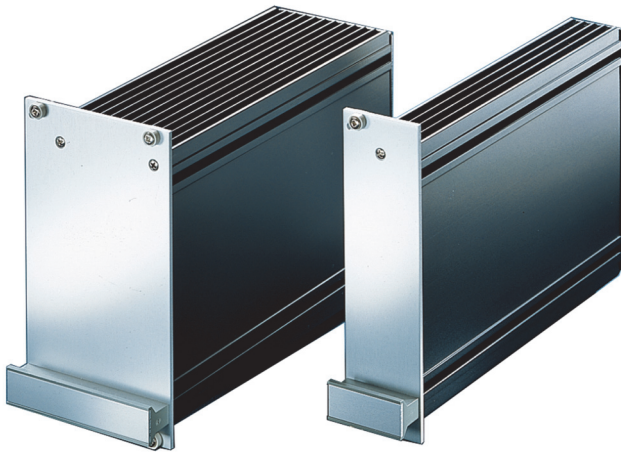
Dimensions table

5	25.06	-	15.00	-	10.16	12.53	167 mm/ 227 mm
6	30.14	-	20.08	-	10.16	7.45	
7	35.22	-	25.16	-	10.16	7.45	
10	50.46	35.56	40.40	15.24	10.16	7.45	
12	60.62	45.72	50.56	25.40	10.16	7.45	
14	70.78	55.88	60.72	35.56	10.16	7.45	



# HF frame type plug-in units

## HF FRAME TYPE PLUG-IN UNITS, 3 U KITS, FRONT PANEL SHIELDED



04892005

- With high shielding from high-frequency radiation
- To accept boards in HP grid increments
- Solid body on all sides, with cooling fins

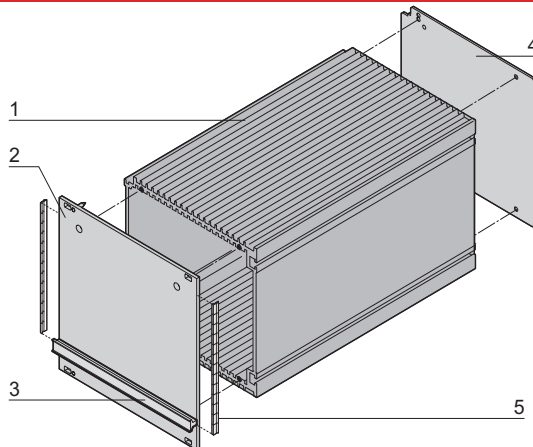
### DELIVERY COMPRISES (kit)

Item	Qty	Description
1	1	Body tube, Al extrusion, black anodised, cut edges plain
2	1	Front panel, Al, 2.5 mm, with lateral grooves for EMC gasket (stainless steel), alignment pin pressed-in, front anodised, rear iridescent green chromated
3	1	Plastic handle, trapeziform, PPE, grey, identification plate, Al, anodised, cut edges plain
4	1	Rear panel, Al, 1.5 mm, etched without cut-outs
5	2	EMC gasket (steel, stainless)
6	1	Assembly kit

### TECHNICAL DATA

HF plug-in unit	Thermal resistance K/W	
	Depth = 167 mm	Depth = 227 mm
7	1.68	1.51
10	1.62	1.46
12	1.56	1.40
14	1.50	1.35
21	1.06	0.95
28	0.94	0.85

### ORDER INFORMATION



04802050

Height U	Width HP	Depth = 167 mm Part no.	Depth = 227 mm Part no.
3	7	<b>20809-529</b>	<b>20809-536</b>
3	10	<b>20809-530</b>	<b>20809-537</b>
3	12	<b>20809-531</b>	<b>20809-538</b>
3	14	<b>20809-532</b>	<b>20809-539</b>
3	21	<b>20809-533</b>	<b>20809-540</b>
3	28	<b>20809-534</b>	<b>20809-541</b>

### NOTE

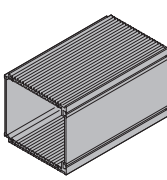
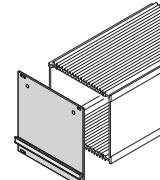
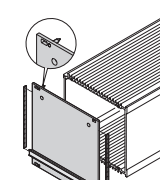
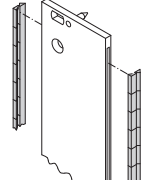
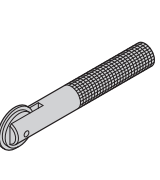
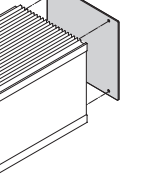
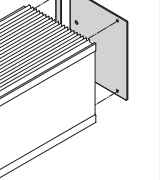
- Dimension drawings see from page 7.94

# HF frame type plug-in units ServicePLUS

## INDIVIDUAL COMPONENTS

## HF BODY TUBE, FRONT PANELS WITH HANDLE, REAR PANELS

### ORDER INFORMATION

		HF body tube	Shieldable front panel, with handle	Shieldable front panel, with handle for EMC gasket (stainless steel)	EMC gasket (stainless steel)	Assembly tool	Rear panel without cut-out	Rear panel with cut-out
		 KAA45832	 KAA45831	 04807074	 bga45760	 az a45937	 04807075	 KAA45834
		Al extrusion, black anodised, cut edges plain	Al, 2.5 mm, front anodised, rear iridescent green chromated; static handle, grey, PPE, UL 94 V-1	Al, 2.5 mm, front anodised, rear iridescent green chromated, with lateral grooves for stainless steel EMC gasket (please order separately), alignment pin pressed-in, trapeziform handle, grey, PPE, UL 94 V-1	inserted laterally into the grooves of the front panel	to mount the EMC gasket (stainless steel)	Al, 1.5 mm, etched	Al, 2.5 mm, etched, cut-out for connector types EN 60603 (DIN 41612); 7 HP: B, C, D, R; 10 - 28 HP: B, C, D, R, F, H, MF, MH
Height U	Width HP	1 piece (SPQ 5) <sup>1)</sup>	1 piece (SPQ 5) <sup>1)</sup>	1 piece (SPQ 5) <sup>1)</sup>	PU 100 pieces	1 piece	1 piece (SPQ 5) <sup>1)</sup>	1 piece (SPQ 5) <sup>1)</sup>
		PCB depth 160 mm						
3	7	<b>30809-667</b>	<b>20838-001</b>	<b>20838-093</b>	<b>21101-705</b>	<b>24560-270</b>	<b>30809-635</b>	<b>30809-641</b>
	10	<b>30809-677</b>	<b>20838-002</b>	<b>20838-094</b>			<b>30809-636</b>	<b>30809-642</b>
	12	<b>30809-675</b>	<b>20838-003</b>	<b>20838-095</b>			<b>30809-637</b>	<b>30809-643</b>
	14	<b>30809-673</b>	<b>20838-004</b>	<b>20838-096</b>			<b>30809-638</b>	<b>30809-644</b>
	21	<b>30809-671</b>	<b>20838-005</b>	<b>20838-097</b>			<b>30809-639</b>	<b>30809-645</b>
	28	<b>30809-669</b>	<b>20838-006</b>	<b>20838-098</b>			<b>30809-640</b>	<b>30809-646</b>
		PCB depth 220 mm						
3	7	<b>30809-668</b>	<b>20838-001</b>	<b>20838-093</b>	<b>21101-705</b>	<b>24560-270</b>	<b>30809-635</b>	<b>30809-641</b>
	10	<b>30809-678</b>	<b>20838-002</b>	<b>20838-094</b>			<b>30809-636</b>	<b>30809-642</b>
	12	<b>30809-676</b>	<b>20838-003</b>	<b>20838-095</b>			<b>30809-637</b>	<b>30809-643</b>
	14	<b>30809-674</b>	<b>20838-004</b>	<b>20838-096</b>			<b>30809-638</b>	<b>30809-644</b>
	21	<b>30809-672</b>	<b>20838-005</b>	<b>20838-097</b>			<b>30809-639</b>	<b>30809-645</b>
	28	<b>30809-670</b>	<b>20838-006</b>	<b>20838-098</b>			<b>30809-640</b>	<b>30809-646</b>
		Depth 1000 mm (without thread for front panel and rear panel)						
3	7	<b>30809-679</b>						
	10	<b>30809-698</b>						
	12	<b>30809-699</b>	-	-	-	-	-	-
	14	<b>30809-680</b>						
	21	<b>30809-681</b>						
	28	<b>30809-682</b>						
Dimensions see page		7.91	7.92				7.91	

1) SPQ (standard pack quantity): Part number includes 1 piece, but delivery is exclusively made in standard pack quantity (SPQ); please order at least the SPQ quantity or a multiple

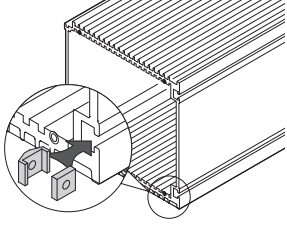
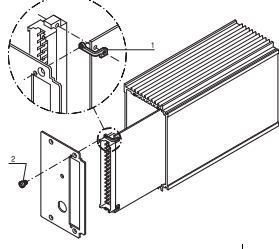
Part no. includes one packing unit (PU); delivery is exclusively made in PU

# HF frame type plug-in units

**INDIVIDUAL COMPONENTS**

**SLIDE NUTS, FIXING FOR PCBs, MOUNTING KIT**

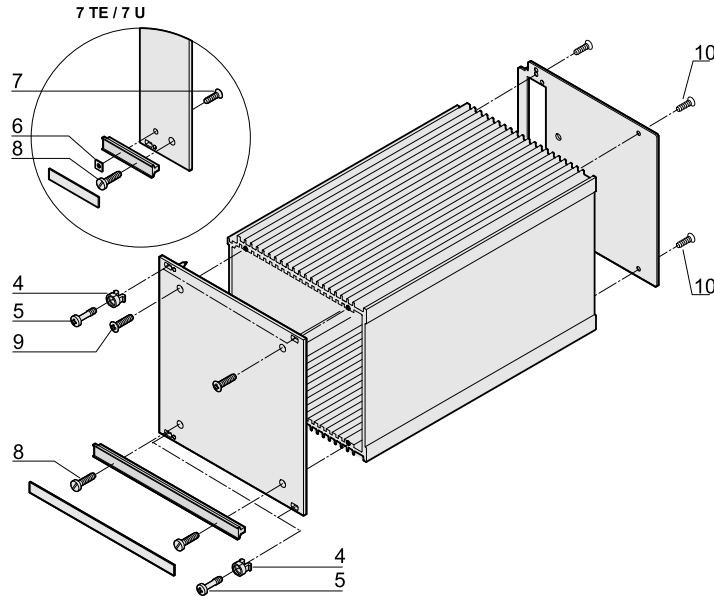
## ORDER INFORMATION

		Slide nut		Fixing for PCBs		Complete assembly kit	Fixing material for one HF frame type plug-in unit
		M 2.5	M 3	Individual components top	bottom		
		 <p>width across flats (WAF) 7, for insertion into HF body tube, top and bottom, provides lateral fixing (on right)</p> <p>04807076</p>		 <p>bracket (stainless steel), 1.5 mm; please order retention screws separately</p> <p>KAA45843</p>		bracket top and bottom (stainless steel), 1.5 mm; incl. two cheesehead screws M2.5 x 4	for complete assembly of a 3 U HF frame type plug-in unit: front panel, rear panel and handle, description see page 7.90
Height U	Width HP	PU 100 pieces	PU 100 pieces	1 piece (SPQ 10) <sup>1)</sup>	1 piece (SPQ 10) <sup>1)</sup>	PU 1 kit	PU 1 kit
3	7						
	10						
	12						
	14	<b>21100-112</b>	<b>21100-289</b>	<b>30809-701</b>	<b>30809-700</b>	<b>21101-937</b>	<b>21100-105</b>
	21						
	28						
<b>Accessories</b>							
Cheesehead screw M2.5 x 4, St, nickel-plated, PU 100 pieces		-	-	<b>21100-431</b>	<b>21100-431</b>	-	-

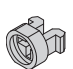

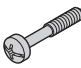

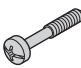



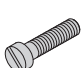


1) SPQ (standard pack quantity): Part number includes 1 piece, but delivery is exclusively made in standard pack quantity (SPQ); please order at least the SPQ quantity or a multiple

Part no. includes one packing unit (PU); delivery is exclusively made in PU

# HF frame type plug-in units

**INDIVIDUAL COMPONENTS**
**FIXING MATERIAL (100 PIECES)**
**ORDER INFORMATION**


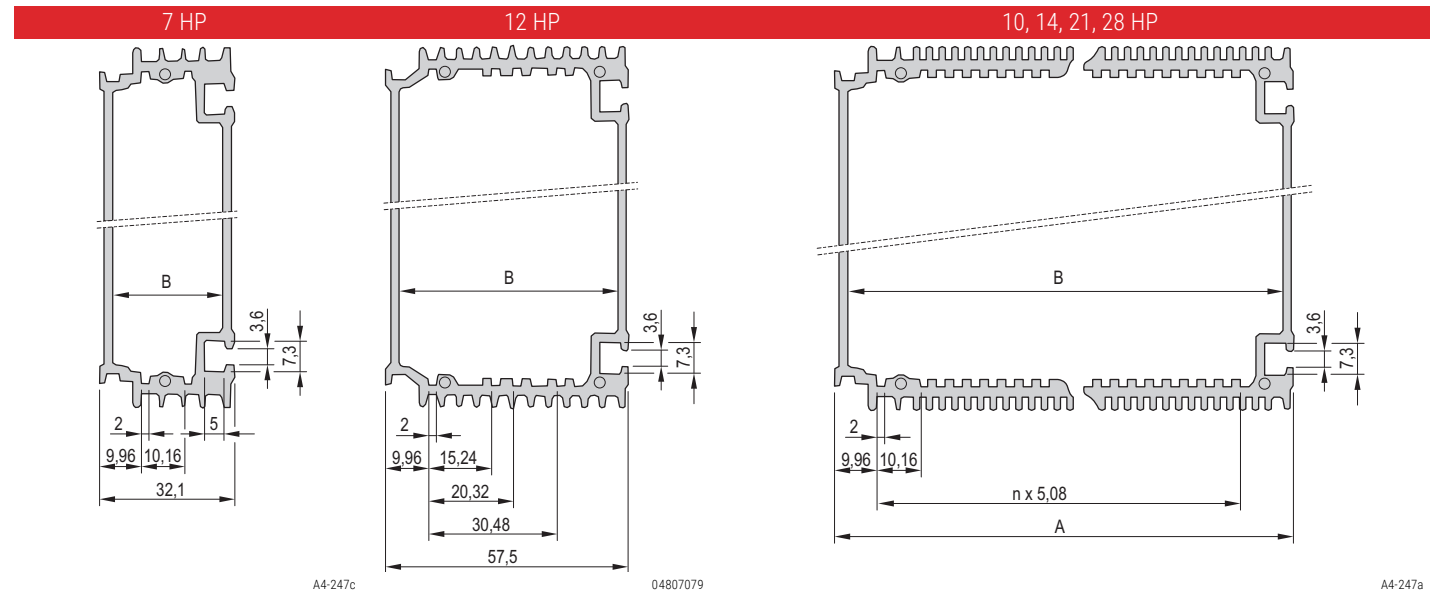
04802054

Description	Item		Required quantity per plug-in unit	Description	Qty/PU	Part no.	
<b>Fixing parts for mounting the module in subrack or case</b>							
Plastic sleeve for form hole 5.9 x 3.3, PA, UL 94 V-2, grey	4		2 at 7 HP		Front panel is fitted to horizontal rail with threaded insert pushed in to front	100	<b>21100-464</b>
			4 at > 7 HP				
Collar screws pozidrive/slot (Philips) M2.5 x 12.3, St, nickel-plated	5		2 at 7 HP		Mounting of front panel on horizontal rail with threaded insert pushed in to front	100	<b>21102-026</b>
			4 at > 7 HP				
Pozidrive/slot collar screw M2.5 x 12.3, St, nickel-plated	5		2 at 7 HP		Front panel is fitted to horizontal rail with threaded insert pushed in to rear in the standard position	100	<b>21101-101</b>
			4 at > 7 HP				
<b>Fixing parts for mounting the module</b>							
Square nut DIN 562, M2.5, St, nickel-plated	6		1 at 7 HP		To mount handle on front panel	100	<b>21100-359</b>
Pozidrive countersunk screw M2.5 x 12, St, nickel-plated	7		1 at 7 HP		To mount handle on front panel	100	<b>21100-507</b>
Slotted cheesehead screw M2.5 x 16, St, nickel-plated	8		1 at 7 HP		To mount handle and front panel on HF body tube	100	<b>21100-150</b>
			2 at > 7 HP				
Raised Pozidrive countersunk panhead screw M2.5 x 8, St, nickel-plated	9		2		To mount front panel on HF body tube	100	<b>21100-429</b>
Pozidrive countersunk screw M2.5 x 6, St, nickel-plated	10		4		To mount rear panel on HF body tube	100	<b>21100-515</b>

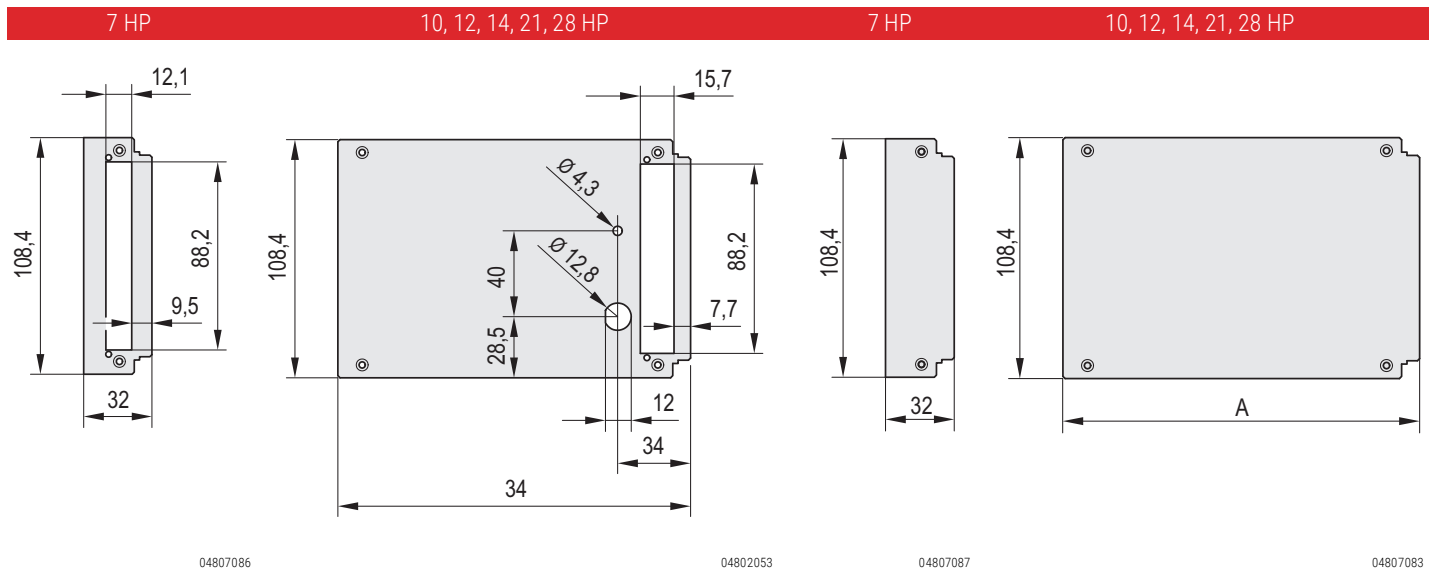
**NOTE**

- Further collar screws and sleeves see page 7.107

# HF frame type plug-in units

**DIMENSIONS**
**HF BODY TUBE**


Dimensions table						
Dimension	7 HP	10 HP	12 HP	14 HP	21 HP	28 HP
mm						
n	-	3 x 5.08	-	7 x 5.08	14 x 5.08	21 x 5.08
A	-	47.34	-	67.66	103.22	138.78
B	26.34	41.58	51.74	61.90	97.46	133.02

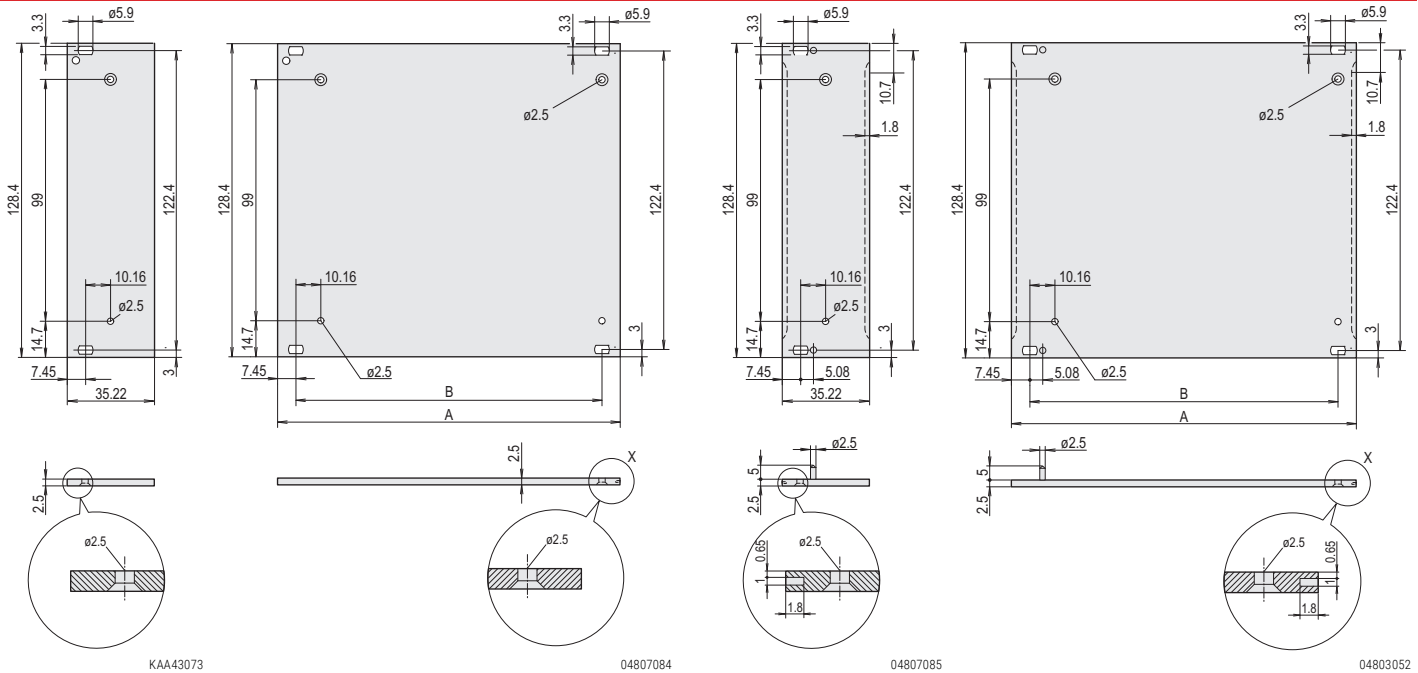
**DIMENSIONS**
**REAR PANEL WITH/WITHOUT CUT-OUT FOR CONNECTOR**


Dimensions table	
Width	A
mm	
7 HP	32.00
10 HP	47.24
12 HP	57.40
14 HP	67.40
21 HP	103.12
28 HP	136.68

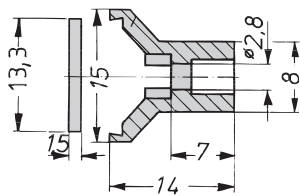
# HF frame type plug-in units

**DIMENSIONS**
**FRONT PANELS**

Unshielded 7 HP	10, 12, 14, 21, 28 HP	Shieldable, slotted for EMC stainless steel gasket 7 HP	10, 12, 14, 21, 28 HP
--------------------	-----------------------	--	-----------------------



Dimensions table		
Width	A	w
	mm	mm
7 HP	32.22	-
10 HP	50.46	35.56
12 HP	60.62	45.72
14 HP	70.78	55.88
21 HP	106.34	91.44
28 HP	141.90	127.00

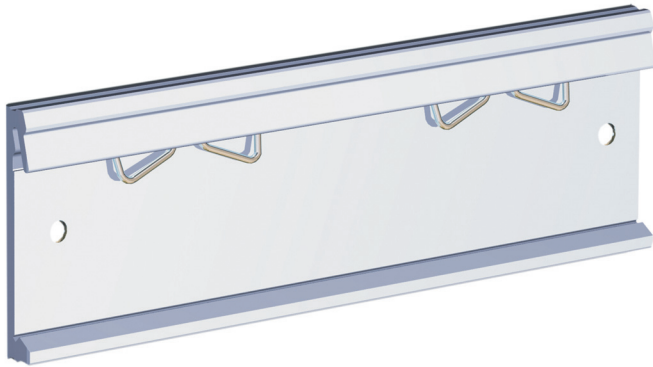
**DIMENSIONS**
**FRONT HANDLE**


A4-328e

Dimensions table	
Width	Width
HP	mm
10 HP	49.4
12 HP	59.6
14 HP	69.7
21 HP	105.2
28 HP	140.8

# HF frame type plug-in units

## ADAPTOR FOR HORIZONTAL RAIL MOUNTING



- For fitting of e.g. subracks, wall mounted cases, frame type plug-in units or PSUs on a horizontal rail with lip
- Adaptor is bolted to the desired product and can then be clipped onto the lipped horizontal rail (DIN 43880)

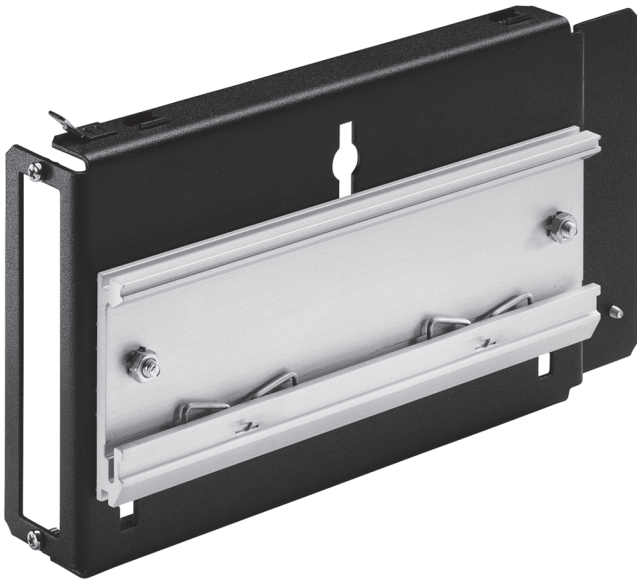
### DELIVERY COMPRISES

Item	Qty	Description
1	1	Adaptor, Al extrusion, length 160 mm
1	1	Fixing material

### ORDER INFORMATION

Description	Part no.
Adaptor for horizontal rail mounting	<b>11000-002</b>

04812021



Example: horizontal rail adaptor with lip for 19" PSU

11395007

## **North America**

**Warwick, RI, USA**

Tel +1.800.525.4682

**San Diego, CA, USA**

Tel +1.800.854.7086

## **Europe, Middle East & India**

**Straubenhardt, Germany**

Tel +49 7082 794 0

**Betschdorf, France**

Tel +33 3 88 90 64 90

**Warsaw, Poland**

Tel +48 22 209 98 35

**Hemel Hempstead,**

**Great Britain**

Tel +44 1442 24 04 71

**Lainate, Italy**

Tel +39 02 932 714 1

**Dubai, United Arab Emirates**

Tel +971 4 37 81 700

**Bangalore, India**

Tel +91 80 67152000

**Istanbul, Turkey**

Tel +90 216 250 7374

## **Asia Pacific**

**Shanghai, China**

Tel +86 21 2412 6943

**Singapore**

Tel +65 6768 5800

**Shin-Yokohama, Japan**

Tel +81 45 476 0271

Our powerful portfolio of brands:

**CADDY ERICO HOFFMAN RAYCHEM SCHROFF TRACER**



[nVent.com/SCHROFF](https://www.nVent.com/SCHROFF)