

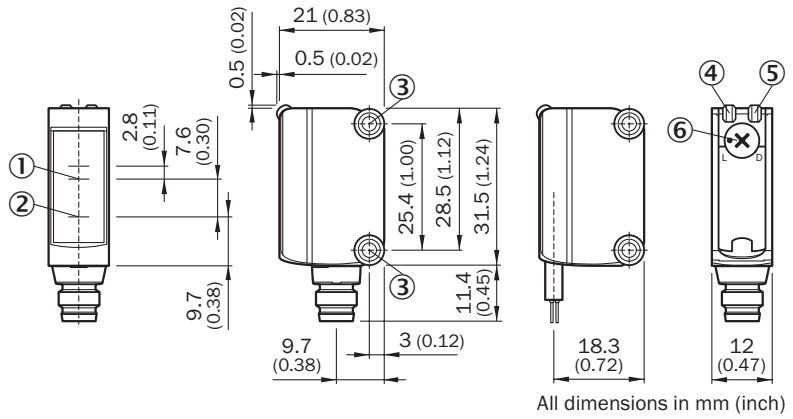
GTB6 Background suppression photoelectric sensor

Sensing distance
250 mm

Photoelectric proximity sensor

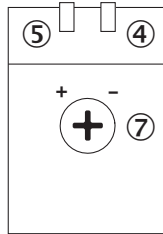
- PinPoint LED for a precise and highly visible light spot
- Metal inserts with threads for robustness and easy mounting
- SICK ASIC-chip for ambient light and cross talk immunity
- Larger potentiometer for easy adjustment
- Bright indicator LEDs for easy installation

Dimensional drawing



Adjustment

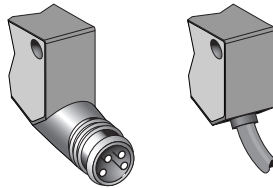
All types



- ① Optical axis receiver
- ② Optical axis sender
- ③ M3 threaded mounting hole
- ④ Indicator LED green, power supply
- ⑤ Indicator LED yellow, light received
- ⑥ Light/dark rotary switch:
L = light switching
D = dark switching
- ⑦ Sensing distance adjuster

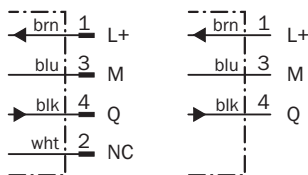
Connection types

GTB6-P4212	GTB6-P1211
GTB6-N4212	GTB6-N1211
GTB6-P4211	GTB6-P1212
GTB6-N4211	GTB6-N1212



4-pin, M8

3 x 0.14 mm²



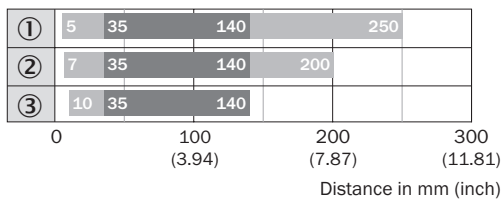
Accessories

- Cables and connectors
- Mounting systems
- Reflectors

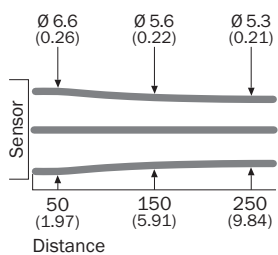
Technical data		GTB6-	N1211	N1212	N4211	N4212	P1211	P1212	P4211	P4212
Sensing distance, typ. max.	250 mm ¹⁾									
Operating distance	140 mm									
Adjustment of operating distance	Potentiometer									
Light source, light type	LED, red light, 650 nm ²⁾									
Light spot diameter	6 mm at 100 mm distance									
Supply voltage V_S	10 ... 30 V DC ³⁾									
Residual ripple	± 10 % ⁴⁾									
Power consumption	≤ 30 mA ⁵⁾									
Switching outputs	NPN: open collector: Q									
	PNP: Q									
Signal voltage PNP HIGH/LOW	V _S - (≤ 3 V)/approx. 0 V									
Signal voltage NPN HIGH/LOW	Approx. V _S /≤ 3 V									
Switching mode	Light/dark switching via rotary switch									
Output current I _A max.	100 mA ⁶⁾									
Response time	< 625 μs ⁷⁾									
Switching frequency	Typ. 1 kHz ⁸⁾									
Connection type	Cable, PVC, 2 m ⁹⁾									
	Connector M8, 4-pin									
Protection class	⚡									
Circuit protection	V _S connections reverse-polarity protected									
	In-/outputs short-circuit protected									
	Outputs overcurrent protected									
Enclosure rating	IP 67									
Ambient temperature T_A	Operation -25 °C ... +55 °C									
	Storage -40 °C ... +70 °C									
Weight	With plug M8, approx. 20 g									
	With cable 2 m, approx. 60 g									
Housing material	ABS, PC, PMMA									
Included with delivery	Mounting bracket, screws									

- 1) Object with 90 % remission (based on standard white to DIN 5033)
- 2) Average service life 100,000 h at T_A = +25 °C
- 3) Limit values, operation in short-circuit protected network max. 8 A
- 4) May not exceed or fall short of V_S tolerances
- 5) Without load
- 6) Signal transit time with resistive load
- 7) When V_S > 24 V and ambient temperature > 49 °C, I_A max. = 50 mA
- 8) With light/dark ratio 1:1
- 9) Do not bend below 0 °C

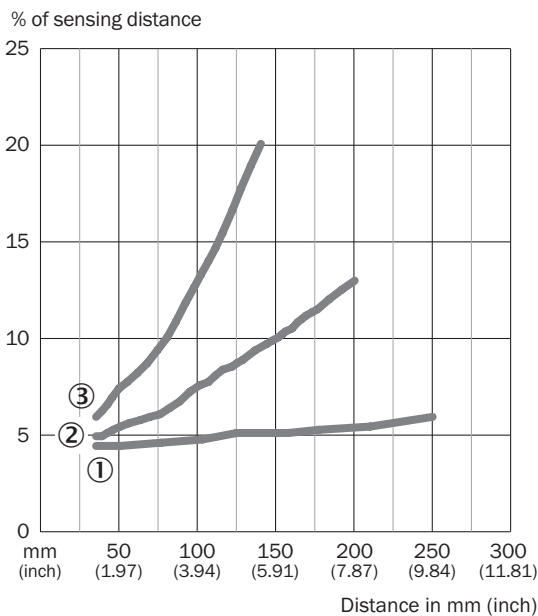
Sensing distance and operating reserve



- ① Sensing distance on white, 90 %/90 % remission
- ② Sensing distance on grey, 18 %/90 % remission
- ③ Sensing distance on black, 6 %/90 % remission




All dimensions in mm (inch)



Ordering information

Model name	Part no.
GTB6-N1211	1052441
GTB6-N1212	1052445
GTB6-N4211	1052439
GTB6-N4212	1052443
GTB6-P1211	1052440
GTB6-P1212	1052444
GTB6-P4211	1052438
GTB6-P4212	1052442

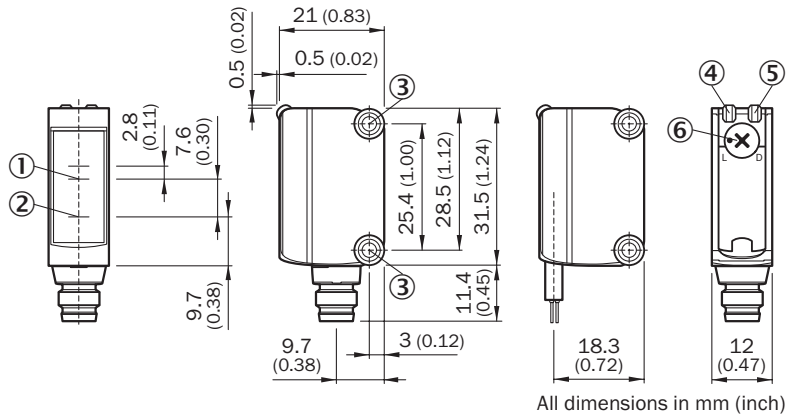
GTE6 Photoelectric proximity sensor, energetic

 Sensing distance
300 mm

Photoelectric proximity sensor

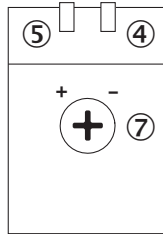
- PinPoint LED for a precise and highly visible light spot
- Metal inserts with threads for robustness and easy mounting
- SICK ASIC-chip for ambient light and cross talk immunity
- Larger potentiometer for easy adjustment
- Bright indicator LEDs for easy installation

Dimensional drawing



Adjustments

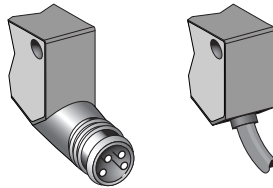
All types



- ① Optical axis receiver
- ② Optical axis sender
- ③ M3 threaded mounting hole
- ④ Indicator LED green, power supply
- ⑤ Indicator LED yellow, light received
- ⑥ Light/dark rotary switch:
L = light switching
D = dark switching
- ⑦ Sensing distance adjuster

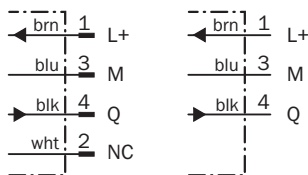
Connection types

GTE6-N4211	GTE6-N1211
GTE6-N4212	GTE6-N1212
GTE6-P4211	GTE6-P1211
GTE6-P4212	GTE6-P1212



4-pin, M8

3 x 0.14 mm²



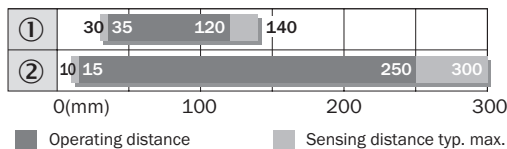
Accessories

- Cables and connectors
- Mounting systems

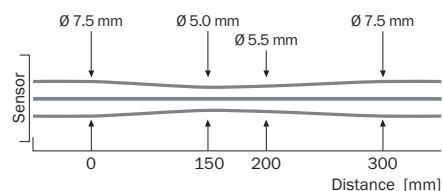
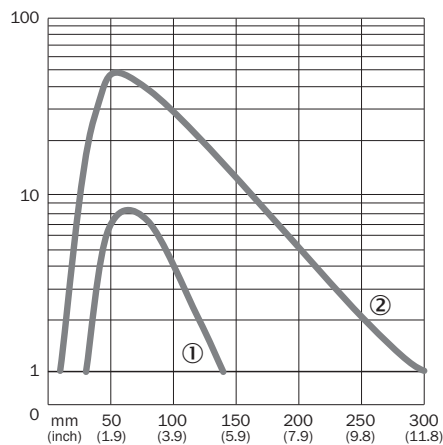
Technical data		GTE6-	N1211	N1212	N4211	N4212	P1211	P1212	P4211	P4212
Sensing distance, typ. max.	300 mm ¹⁾									
Operating distance	250 mm ¹⁾									
Adjustment of operating distance	Potentiometer									
Light source, light type	LED, red light, 650 nm ²⁾									
Light spot diameter	7 mm at 90 mm distance									
Supply voltage V_S	10 ... 30 V DC ³⁾									
Residual ripple	± 10 % ⁴⁾									
Power consumption	≤ 30 mA ⁵⁾									
Switching outputs	NPN: open collector: Q									
	PNP: Q									
Signal voltage PNP HIGH/LOW	V _S - (≤ 3 V)/approx. 0 V									
Signal voltage NPN HIGH/LOW	Approx. V _S /≤ 3 V									
Switching mode	Light/dark switching via rotary switch									
Output current I _A max.	100 mA									
Response time	< 1,250 μs ⁶⁾									
Switching frequency ⁷⁾	Typ. 500 Hz									
Connection type	Cable, PVC, 2 m ⁸⁾									
	Connector M8, 4-pin									
Protection class	⊕									
Circuit protection	V _S connections reverse-polarity protected									
	In-/outputs short-circuit protected									
	Outputs overcurrent protected									
Enclosure rating	IP 67									
Ambient temperature T_A	Operation -25 °C ... +55 °C									
	Storage -40 °C ... +70 °C									
Weight	With plug M8, approx. 20 g									
	With cable 2 m, approx. 60 g									
Housing material	ABS, PC, PMMA									
Included with delivery	Mounting bracket, screws									

- 1) Object with 90 % remission (based on standard white to DIN 5033) 2) Average service life 100,000 h at T_A = +25 °C
- 3) Limit values, operation in short-circuit protected network max. 8 A 4) May not exceed or fall short of V_S tolerances
- 5) Without load 6) Signal transit time with resistive load
- 7) With light/dark ratio 1:1 8) Do not bend below 0 °C

Sensing distance and operating reserve




- ① Sensing distance on grey, 18 % remission
- ② Sensing distance on white, 90 % remission



Ordering information

Model name	Part no.
GTE6-N1211	1050713
GTE6-N1212	1051784
GTE6-N4211	1050711
GTE6-N4212	1051782
GTE6-P1211	1050712
GTE6-P1212	1051783
GTE6-P4211	1050710
GTE6-P4212	1051781

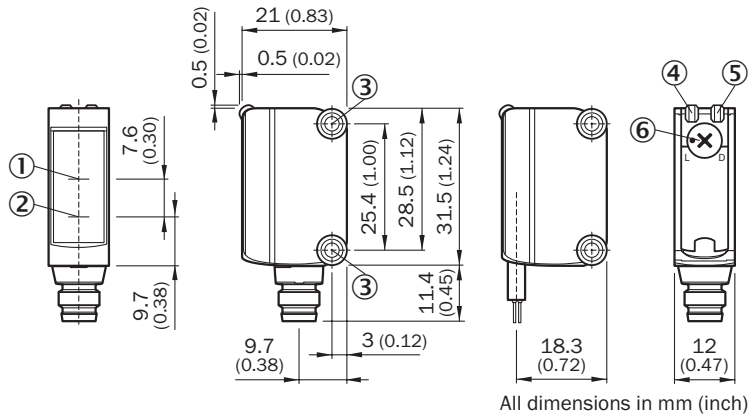
GL6 Photoelectric reflex sensor

 **Sensing range**
7.2 m

Photoelectric reflex sensor

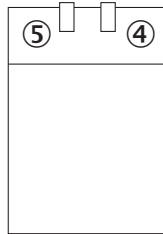
- PinPoint LED for a precise and highly visible light spot
- Metal inserts with threads for robustness and easy mounting
- SICK ASIC-chip for ambient light and cross talk immunity
- Larger potentiometer for easy adjustment
- Bright indicator LEDs for easy installation

Dimensional drawing



Adjustment

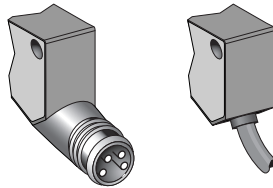
All types



- ① Optical axis receiver
- ② Optical axis sender
- ③ M3 threaded mounting hole
- ④ Indicator LED green, power supply
- ⑤ Indicator LED yellow, light received
- ⑥ Light/dark rotary switch:
L = light switching
D = dark switching

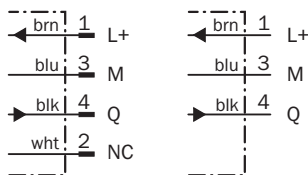
Connection types

GL6-N4111	GL6-N1111
GL6-N4112	GL6-N1112
GL6-P4111	GL6-P1111
GL6-P4112	GL6-P1112



4-pin, M8

3 x 0.14 mm²



Accessories

- Cables and connectors
- Mounting systems
- Reflectors

Technical data		GL6-	N1111	N1112	N4111	N4112	P1111	P1112	P4111	P4112
Sensing range, typ. max.	7.2 m									
Operating range	6 m									
Relating to	Reflector PL80A									
Light source, light type	LED, red light, 650 nm ¹⁾									
Light spot diameter	8 mm at 350 mm distance									
Polarization filter	✓									
Supply voltage V_S	10 ... 30 V DC ²⁾									
Residual ripple	± 10 % ³⁾									
Power consumption	≤ 30 mA ⁴⁾									
Switching outputs	NPN: open collector: Q									
	PNP: Q									
Signal voltage PNP HIGH/LOW	V _S - (≤ 3 V)/approx. 0 V									
Signal voltage NPN HIGH/LOW	Approx. V _S /≤ 3 V									
Switching mode	Light/dark switching via rotary switch									
Output current I _A max.	100 mA ⁵⁾									
Response time	< 625 μs ⁶⁾									
Switching frequency	Typ. 1 kHz ⁷⁾									
Connection type	Cable, PVC, 2 m ⁸⁾									
	Connector M8, 4-pin									
Protection class	◆									
Circuit protection	V _S connections reverse-polarity protected									
	In-/outputs short-circuit protected									
	Outputs overcurrent protected									
Enclosure rating	IP 67									
Ambient temperature T_A	Operation -25 °C ... +55 °C									
	Storage -40 °C ... +70 °C									
Weight	With plug M8, approx. 20 g									
	With cable 2 m, approx. 60 g									
Housing material	ABS, PC, PMMA									
Included with delivery	Reflector P250, mounting bracket									

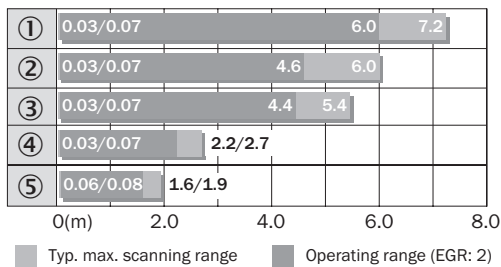
¹⁾ Average service life 100,000 h at T_A = +25 °C

²⁾ Limit values, operation in short-circuit protected network max. 8 A
³⁾ May not exceed or fall short of V_S tolerances

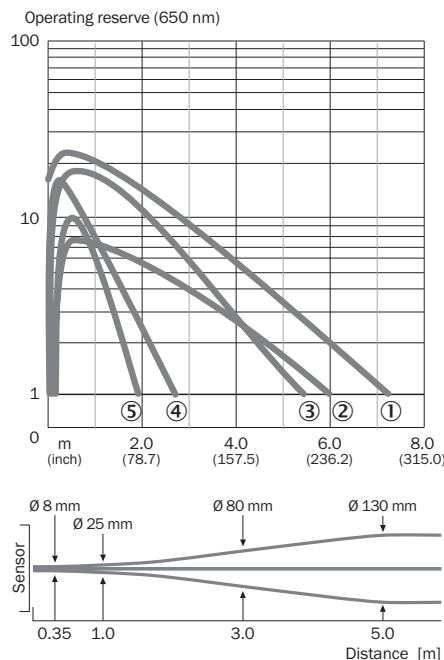
⁴⁾ Without load
⁵⁾ When V_S > 24 V and ambient temperature > 49 °C, I_A max. = 50 mA

⁶⁾ Signal transit time with resistive load
⁷⁾ With light/dark ratio 1:1
⁸⁾ Do not bend below 0 °C

Sensing range and operating reserve



Reflector type	Operating range
① PL80A	0.07 ... 6.0 m
② PL40A	0.07 ... 4.6 m
③ P250	0.07 ... 4.4 m
④ PL20A	0.07 ... 2.2 m
⑤ Reflective tape Diamond Grade	0.08 ... 1.6 m



Ordering information

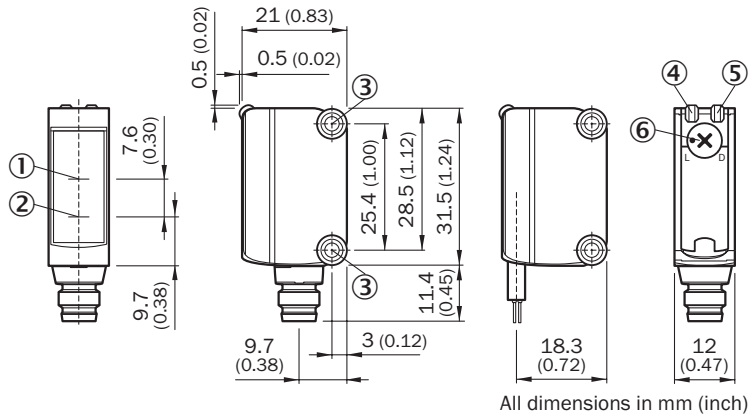
Model name	Part no.
GL6-N1111	1050709
GL6-N1112	1051780
GL6-N4111	1050707
GL6-N4112	1051778
GL6-P1111	1050708
GL6-P1112	1051779
GL6-P4111	1050706
GL6-P4112	1051777

Sensing range
7.2 m

Photoelectric reflex sensor

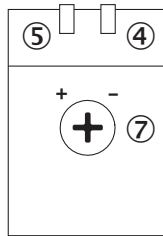
- PinPoint LED for a precise and highly visible light spot
- Metal inserts with threads for robustness and easy mounting
- SICK ASIC-chip for ambient light and cross talk immunity
- Receiver sensitivity adjustment via 270° potentiometer
- For detection of critical surfaces and shiny objects

Dimensional drawing



Adjustment

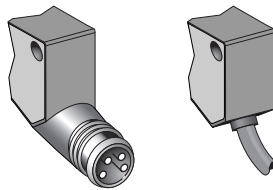
All types



- ① Optical axis receiver
- ② Optical axis sender
- ③ M3 threaded mounting hole
- ④ Indicator LED green, power supply
- ⑤ Indicator LED yellow, light received
- ⑥ Light/dark rotary switch:
L = light switching
D = dark switching
- ⑦ Receiver sensitivity adjustment

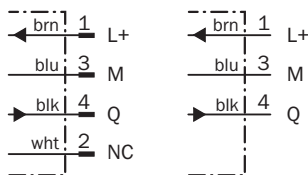
Connection types

GL6-P4211	GL6-P1211
GL6-N4211	GL6-P1212
	GL6-N1211
	GL6-N1212



4-pin, M8

3 x 0.14 mm²



Accessories

- Cables and connectors
- Mounting systems
- Reflectors

Technical data		GL6-	N1211	N1212	N4211	P1211	P1212	P4211				
Sensing range, typ. max.	7.2 m											
Operating range	6 m											
Adjustment of receiver sensitivity	270° potentiometer											
Relating to	Reflector PL80A											
Light source, light type	LED, red light, 650 nm ¹⁾											
Light spot diameter	8 mm at 350 mm distance											
Polarization filter	✓											
Supply voltage V_S	10 ... 30 V DC ²⁾											
Residual ripple	± 10 % ³⁾											
Power consumption	≤ 30 mA ⁴⁾											
Switching outputs	NPN: open collector: Q											
	PNP: Q											
Signal voltage PNP HIGH/LOW	V _S - (≤ 3 V)/approx. 0 V											
Signal voltage NPN HIGH/LOW	Approx. V _S /≤ 3 V											
Switching mode	Light/dark switching via rotary switch											
Output current I _A max.	100 mA ⁵⁾											
Response time	< 625 μs ⁶⁾											
Switching frequency	Typ. 1 kHz ⁷⁾											
Connection type	Cable, PVC, 2 m ⁸⁾											
	Connector M8, 4-pin											
Protection class	◆◆											
Circuit protection	V _S connections reverse-polarity protected											
	In-/outputs short-circuit protected											
	Outputs overcurrent protected											
Enclosure rating	IP 67											
Ambient temperature T_A	Operation -25 °C ... +55 °C											
	Storage -40 °C ... +70 °C											
Weight	With plug M8, approx. 20 g											
	With cable 2 m, approx. 60 g											
Housing material	ABS, PC, PMMA											
Included with delivery	Reflector P250, mounting bracket											

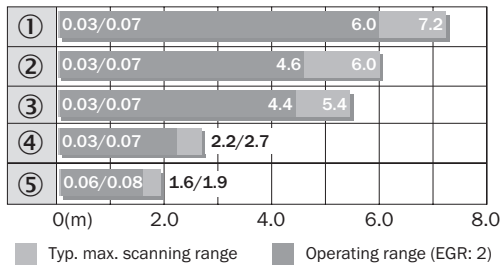
¹⁾ Average service life 100,000 h at T_A = +25 °C

²⁾ Limit values, operation in short-circuit protected network max. 8 A
³⁾ May not exceed or fall short of V_S tolerances

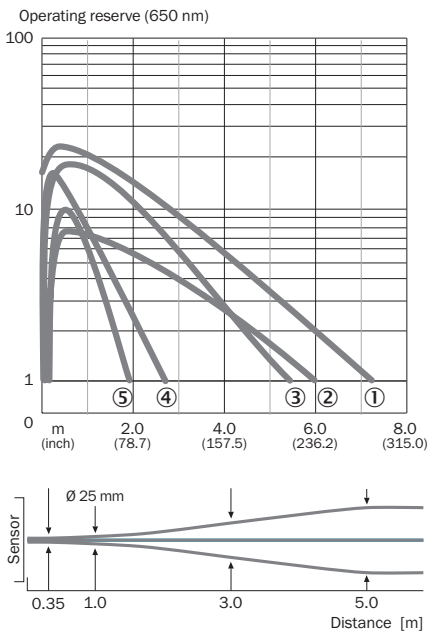
⁴⁾ Without load
⁵⁾ At V_S > 24 V or ambient temperature > 49 °C, I_A max = 50 mA
⁶⁾ Signal transit time with resistive load

⁷⁾ With light/dark ratio 1:1
⁸⁾ Do not bend below 0 °C

Sensing range and operating reserve



Reflector type	Operating range
① PL80A	0.07 ... 6.0 m
② PL40A	0.07 ... 4.6 m
③ P250	0.07 ... 4.4 m
④ PL20A	0.07 ... 2.2 m
⑤ Reflective tape Diamond Grade	0.08 ... 1.6 m



Ordering information

Model name	Part no.
GL6-P1211	1059922
GL6-P1212	1060815
GL6-P4211	1059241
GL6-N1211	1059923
GL6-N1212	1060814
GL6-N4211	1059631

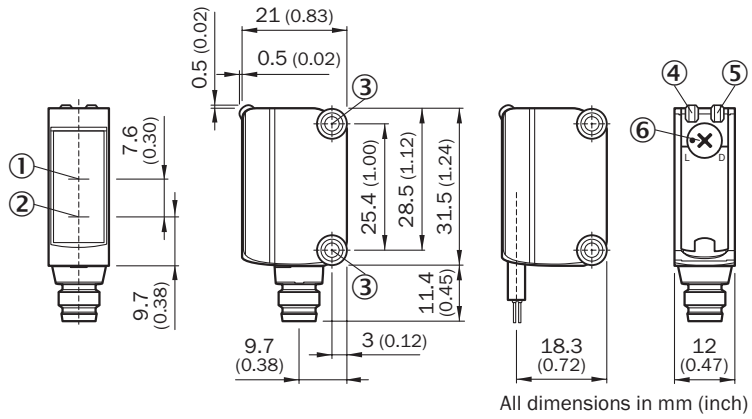
GL6G Photoelectric reflex sensor

Sensing range
7.2 m

Photoelectric reflex sensor

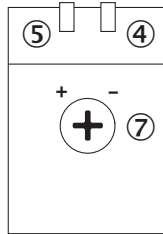
- PinPoint LED for a precise and highly visible light spot
- Metal inserts with threads for robustness and easy mounting
- SICK ASIC-chip for ambient light and cross talk immunity
- Receiver sensitivity adjustment via 270° potentiometer
- For detection of transparent objects

Dimensional drawing



Adjustment

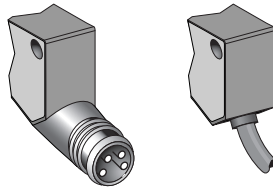
All types



- ① Optical axis receiver
- ② Optical axis sender
- ③ M3 threaded mounting hole
- ④ Indicator LED green, power supply
- ⑤ Indicator LED yellow, light received
- ⑥ Light/dark rotary switch:
L = light switching
D = dark switching
- ⑦ Receiver sensitivity adjustment

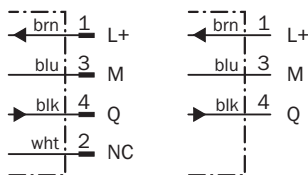
Connection types

GL6G-P4211	GL6G-P1211
GL6G-P4212	GL6G-P1212
GL6G-N4211	GL6G-N1211
GL6G-N4212	GL6G-N1212



4-pin, M8

3 x 0.14 mm²



Accessories

- Cables and connectors
- Mounting systems
- Reflectors

Technical data		GL6G-	N1211	N1212	N4211	N4212	P1211	P1212	P4211	P4212
Sensing range, typ. max.	7.2 m									
Operating range	6 m									
Adjustment of receiver sensitivity	270° potentiometer									
Relating to	Reflector PL80A									
Light source, light type	LED, red light, 650 nm ¹⁾									
Light spot diameter	8 mm at 350 mm distance									
Polarization filter	✓									
Supply voltage V_S	10 ... 30 V DC ²⁾									
Residual ripple	± 10 % ³⁾									
Power consumption	≤ 30 mA ⁴⁾									
Switching outputs	NPN: open collector: Q									
	PNP: Q									
Attenuation along light beam	> 20%									
Special design	for transparent objects ⁵⁾									
Signal voltage PNP HIGH/LOW	V _S - (≤ 3 V)/approx. 0 V									
Signal voltage NPN HIGH/LOW	Approx. V _S /≤ 3 V									
Switching mode	Light/dark switching via rotary switch									
Output current I _A max.	100 mA ⁶⁾									
Response time	< 625 μs ⁷⁾									
Switching frequency	Typ. 1 kHz ⁸⁾									
Connection type	Cable, PVC, 2 m ⁹⁾									
	Connector M8, 4-pin									
Protection class	⊕									
Circuit protection	V _S connections reverse-polarity protected									
	In-/outputs short-circuit protected									
	Outputs overcurrent protected									
Enclosure rating	IP 67									
Ambient temperature T_A	Operation -25 °C ... +55 °C ¹⁰⁾									
	Storage -40 °C ... +70 °C									
Weight	With plug M8, approx. 20 g									
	With cable 2 m, approx. 60 g									
Housing material	ABS, PC, PMMA									
Included with delivery	Reflector P250, mounting bracket									

- 1) Average service life 100,000 h at T_A = +25 °C
- 2) Limit values, operation in short-circuit protected network max. 8 A
- 3) May not exceed or fall short of V_S tolerances

- 4) Without load
- 5) requires minimum attenuation in the light beam of 20 %
- 6) At V_S > 24 V or ambient temperature > 49 °C, I_A max = 50 mA
- 7) Signal transit time with resistive load

- 8) With light/dark ratio 1:1
- 9) Do not bend below 0 °C
- 10) Temperature stability after adjustment ±10 °C

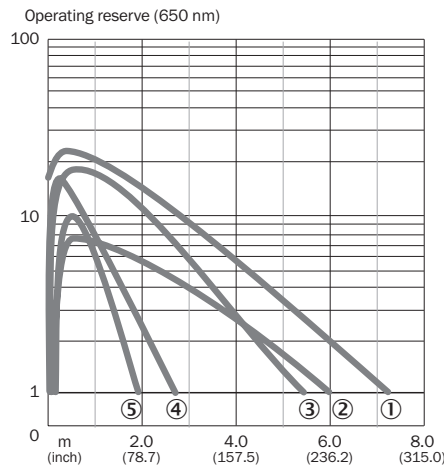
Sensing range and operating reserve

①	0.03/0.07	6.0	7.2
②	0.03/0.07	4.6	6.0
③	0.03/0.07	4.4	5.4
④	0.03/0.07	2.2/2.7	
⑤	0.06/0.08	1.6/1.9	

0(m) 2.0 4.0 6.0 8.0

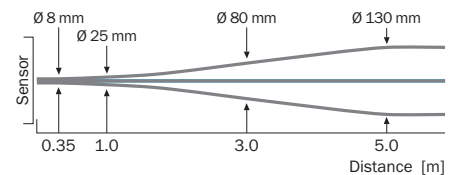
■ Typ. max. scanning range ■ Operating range (EGR: 2)

Reflector type	Operating range
① PL80A	0.07 ... 6.0 m
② PL40A	0.07 ... 4.6 m
③ P250	0.07 ... 4.4 m
④ PL20A	0.07 ... 2.2 m
⑤ Reflective tape Diamond Grade	0.08 ... 1.6 m




Ordering information

Model name	Part no.
GL6G-P1211	1059924
GL6G-P1212	1060812
GL6G-P4211	1059632
GL6G-P4212	1060810
GL6G-N1211	1059925
GL6G-N1212	1060811
GL6G-N4211	1059633
GL6G-N4212	1060809



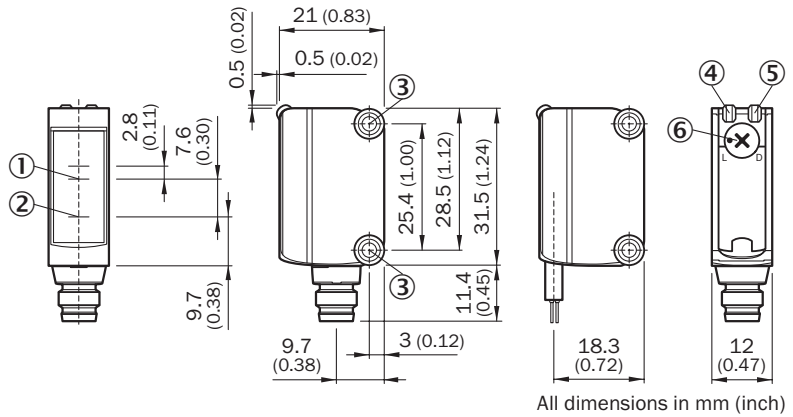
GSE6 Through-beam photoelectric sensor

 **Sensing range**
15 m

Through-beam photoelectric sensor

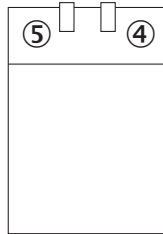
- PinPoint LED for a precise and highly visible light spot
- Metal inserts with threads for robustness and easy mounting
- Larger potentiometer for easy adjustment
- Bright indicator LEDs for easy installation

Dimensional drawing



Adjustments

All types

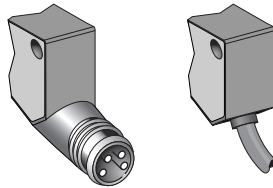


- ① Optical axis receiver
- ② Optical axis sender
- ③ M3 threaded mounting hole
- ④ Indicator LED green, power supply
- ⑤ Indicator LED yellow, light received
- ⑥ Light/dark rotary switch:
L = light switching
D = dark switching



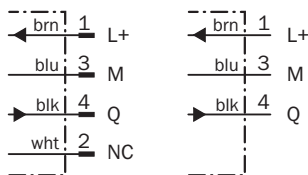
Connection types

GSE6-P4111	GSE6-P1111
GSE6-N4111	GSE6-N1111
GSE6-P4112	GSE6-P1112
GSE6-N4112	GSE6-N1112



4-pin, M8

3 x 0.14 mm²



Accessories

- Cables and connectors
- Mounting systems



Technical data		GSE6-	N1111	N1112	N4111	N4112	P1111	P1112	P4111	P4112
Sensing range, typ. max.	15 m									
Operating range	10 m									
Light source, light type	LED, red light, 650 nm ¹⁾									
Light spot diameter	375 mm at 12 m distance									
Supply voltage V_S	10 ... 30 V DC ²⁾									
Residual ripple	± 10 % ³⁾									
Power consumption	≤ 30 mA ⁴⁾									
Switching outputs	NPN: open collector: Q									
	PNP: Q									
Signal voltage PNP HIGH/LOW	V _S - (≤ 3 V)/approx. 0 V									
Signal voltage NPN HIGH/LOW	Approx. V _S /≤ 3 V									
Switching mode	Light/dark switching via rotary switch									
Output current I _A max.	100 mA ⁵⁾									
Response time	≤ 500 μs ⁶⁾									
Switching frequency	Typ. 1,000 Hz ⁷⁾									
Connection type	Cable, PVC, 2 m ⁸⁾									
	Connector M8, 4-pin									
Protection class	⚡									
Circuit protection	V _S connections reverse-polarity protected									
	In-/outputs short-circuit protected									
	Outputs overcurrent protected									
Enclosure rating	IP 67									
Ambient temperature T_A	Operation -25 °C ... +55 °C									
	Storage -40 °C ... +70 °C									
Weight	With plug M8, approx. 40 g									
	With cable 2 m, approx. 170 g									
Housing material	ABS, PC, PMMA									
Included with delivery	Mounting bracket, screws									

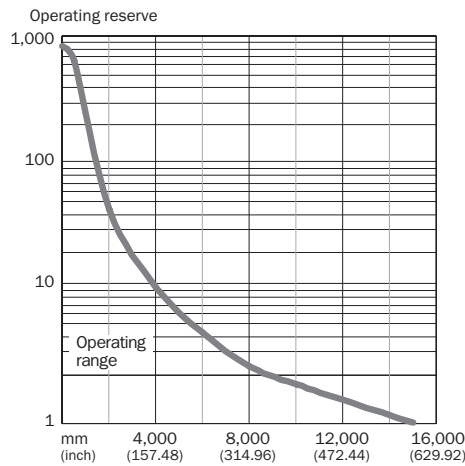
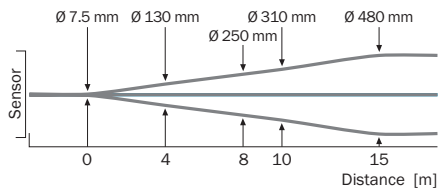
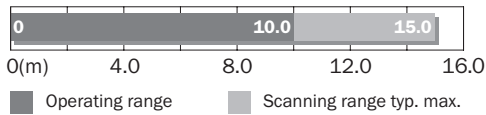
- 1) Average service life 100,000 h at T_A = +25 °C
- 2) Limit values, operation in short-circuit protected network max. 8 A

- 3) May not exceed or fall short of V_S tolerances
- 4) Without load

- 5) When V_S > 24 V and ambient temperature > 49 °C, I_A max. = 50 mA
- 6) Signal transit time with resistive load
- 7) With light/dark ratio 1:1

- 8) Do not bend below 0 °C

Sensing range and operating reserve



Ordering information

Model name	Part no.
GSE6-N1111	1052449
GSE6-N1112	1052453
GSE6-N4111	1052447
GSE6-N4112	1052451
GSE6-P1111	1052448
GSE6-P1112	1052452
GSE6-P4111	1052446
GSE6-P4112	1052450

Dimensional drawings and Ordering information

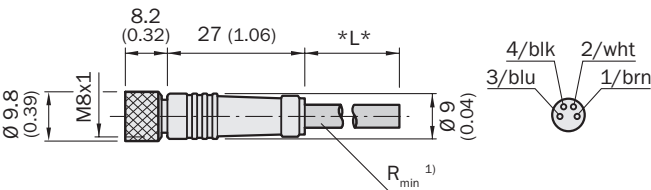
Cables and connectors

SENSICK screw-in system M8, 3- or 4-pin, enclosure rating IP 67

Female connector M8, 3- or 4-pin, straight

3 x 0.34 mm² or 4 x 0.25 mm², sheath PVC

Model name	Part no.	Contacts	Cable length
DOL-0803-G02M	6010785	3	2 m
DOL-0803-G05M	6022009	3	5 m
DOL-0803-G10M	6022011	3	10 m
DOL-0804-G02M	6009870	4	2 m
DOL-0804-G05M	6009872	4	5 m
DOL-0804-G10M	6010754	4	10 m

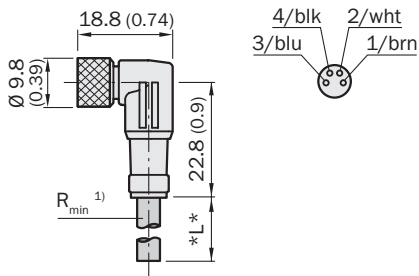


All dimensions in mm (inch)

Female connector M8, 3- or 4-pin, right angle

3 x 0.34 mm² or 4 x 0.25 mm², sheath PVC

Model name	Part no.	Contacts	Cable length
DOL-0803-W02M	6008489	3	2 m
DOL-0803-W05M	6022010	3	5 m
DOL-0803-W10M	6022012	3	10 m
DOL-0804-W02M	6009871	4	2 m
DOL-0804-W05M	6009873	4	5 m
DOL-0804-W10M	6010755	4	10 m



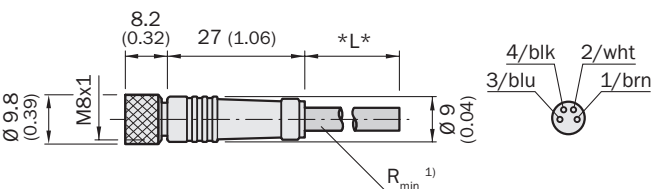
All dimensions in mm (inch)

¹⁾ Minimum bend radius in dynamic use
 $R_{min} = 20 \times \text{cable diameter}$

Female connector M8, 3- or 4-pin, straight

3/4 x 0.34 mm², sheath PUR halogen free

Model name	Part no.	Contacts	Cable length
DOL-0803-G02MC	6025888	3	2 m
DOL-0803-G05MC	6025889	3	5 m
DOL-0803-G10MC	6025890	3	10 m
DOL-0804-G02MC	6025894	4	2 m
DOL-0804-G05MC	6025895	4	5 m
DOL-0804-G10MC	6025896	4	10 m

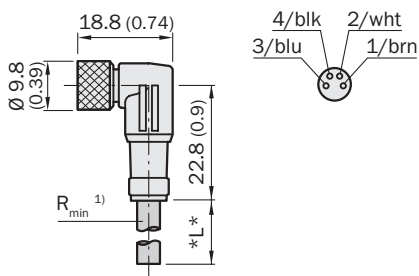


All dimensions in mm (inch)

Female connector M8, 3- or 4-pin, right angle

3/4 x 0.34 mm², sheath PUR halogen free

Model name	Part no.	Contacts	Cable length
DOL-0803-W02MC	6025891	3	2 m
DOL-0803-W05MC	6025892	3	5 m
DOL-0803-W10MC	6025893	3	10 m
DOL-0804-W02MC	6025897	4	2 m
DOL-0804-W05MC	6025898	4	5 m
DOL-0804-W10MC	6025899	4	10 m



All dimensions in mm (inch)

¹⁾ Minimum bend radius in dynamic use
 $R_{min} = 20 \times \text{cable diameter}$

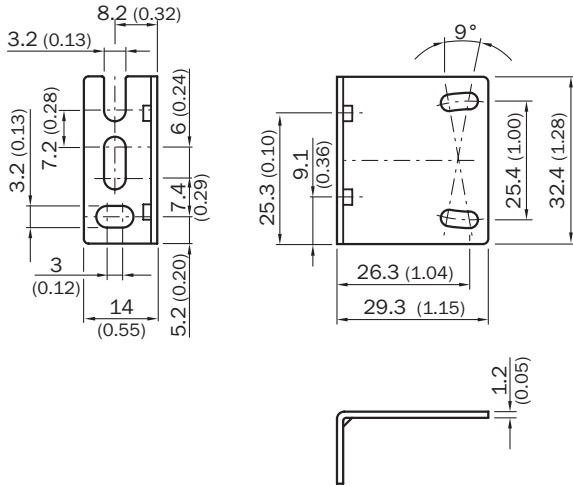
Dimensional drawings and Ordering information

Mounting systems

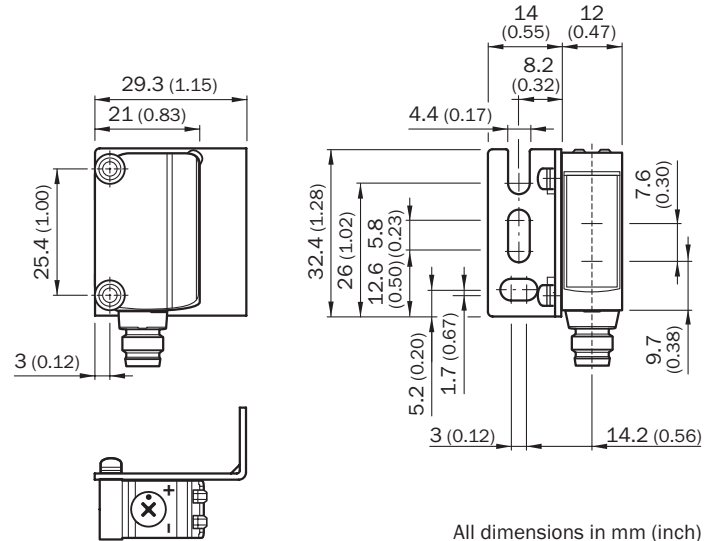
Mounting bracket, wall mounting for G6

Model name	Part no.	Material
BEF-W100-A	5311520	Stainless steel

Mounting



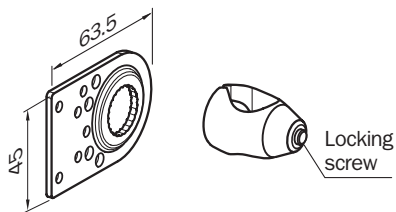
All dimensions in mm (inch)



All dimensions in mm (inch)

Mounting plate for universal bar clamp

Model name	Part no.	Mounting plate
BEF-KHS-L01	2023057	L



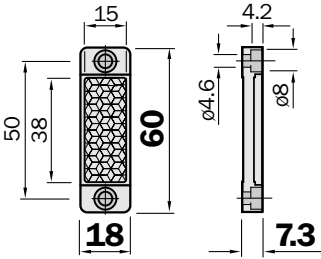
L

Dimensional drawings and Ordering information

Reflectors, plastic design for temperatures up to 65 °C

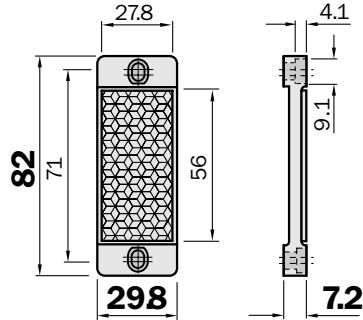
Reflector 20 x 40 mm

Model name	Part no.
PL20A	1012719



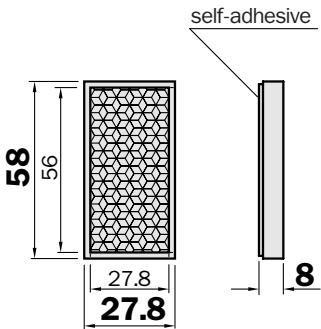
Reflector 30 x 50 mm

Model name	Part no.
PL30A	1002314



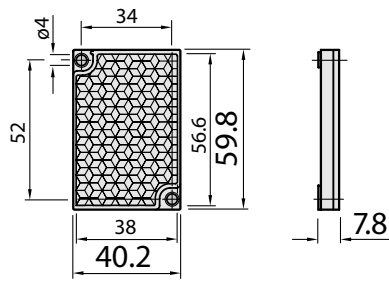
Reflector 30 x 50 mm

Model name	Part no.
PL31A	1002315



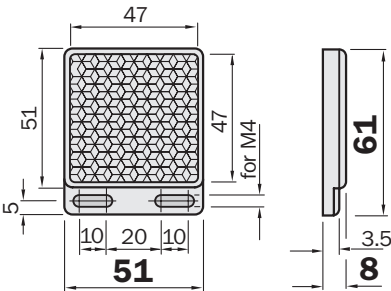
Reflector 40 x 60 mm

Model name	Part no.
PL40A	1012720



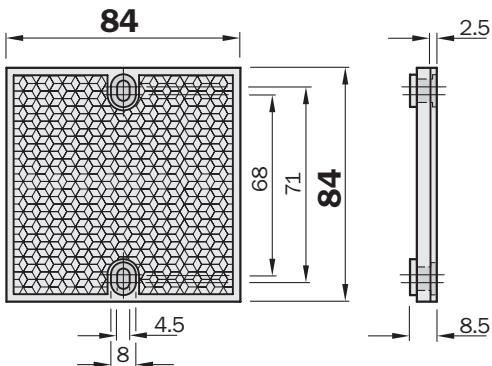
Reflector 47 x 47 mm¹⁾

Model name	Part no.
P250	5304812



Reflector 80 x 80 mm

Model name	Part no.
PL80A	1003865



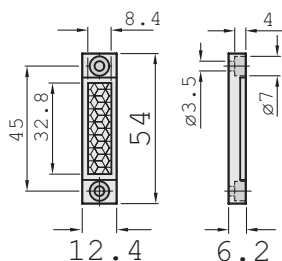
¹⁾ Included with delivery GL6 standard types

Dimensional drawings and Ordering information

Reflectors, plastic design for temperatures up to 65 °C

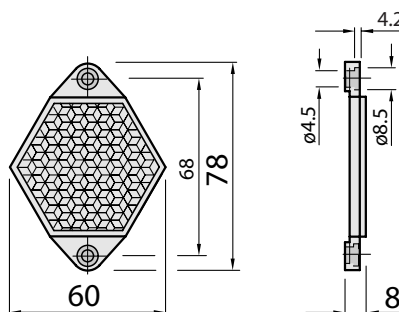
Reflector 32.8 x 8.4 mm, screwable

Model name	Part no.
P45A	5308002



Reflector 6-sided, width across flats 52 mm, screwable

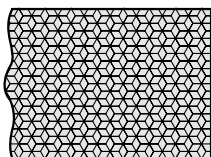
Model name	Part no.
PL50A	1000132



Self-adhesive reflective tape for photoelectric sensors with polarization filter

Reflective tape "Diamond Grade"

Cut to size	
Model name	Part no.
REF-DG-K	4019634



Reflective tape, self-adhesive, length of roll 22.8 m

Model name	Part no.	Width
REF-PLUS-R25	5319929	25 mm
REF-PLUS-R50	5319981	50 mm

