

The **Haloflex** is a multi-purpose low voltage lamp with a flexible metal arm. The strong illumination power and the glare free light guarantee optimal conditions for precise working while keeping the eye strain at a minimum. High flexibility of the lamp arm leads to the possibility of illuminating work places even at hard-to-reach areas.

## Basic version

- Halogen-Illuminant 12 Volt 20 Watt
- built-in safety transformer
- metal flexible tube with corrugated hose coating
- with switch in the luminaire head
- luminaire head and housing out of impact-proof and non-flammable, high-quality plastic
- Connected load: 230 Volt / AC / 50 Hz



**Included in delivery:** brand halogen-illuminant, screw-type terminal, screws for direct fixation at the machine, table, wall or ceiling.

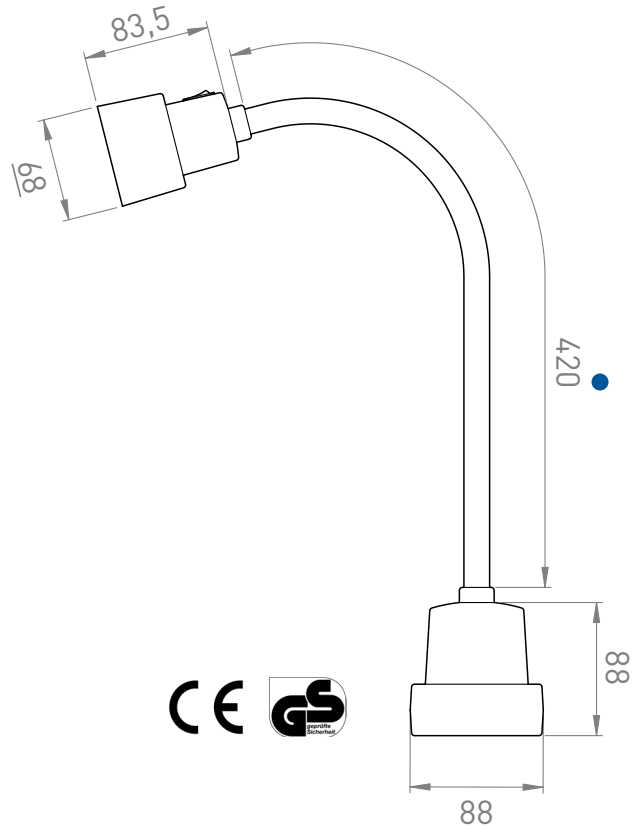
**Optional Equipment:** extra powerful magnetic base, easy-clip protection glass

**Degree of Protection:** IP20

**Light angle:** wide beam 36°



with protection glass



● available lengths 150mm, 420mm, 520mm, 600mm



The lamp types stated in the chart below are standard types with short delivery times.  
Customized variations available on request (e. g. connected load)

Connected load	Mains lead	Metal flexible tube	Protection glass	Type	Art.-no.:
230 V	1,6 m H03VVH2-F	150 mm / rubber hose	optional	3375/1-150	407210
230 V	1,6 m H05RN-F	150 mm / rubber hose	included	3375/1-M-150	407215
24 V	4,0 m H03FFH2-F	150 mm / rubber hose	optional	3375/5-150	407217
12 V	4,0 m H03FFH2-F	150 mm / rubber hose	optional	3375/3-150	407212
230 V	1,6 m H03VVH2-F	420 mm / corrugated hose	optional	3375/1	407220
12 V	4,0 m H03FFH2-F	420 mm / corrugated hose	optional	3375/3	407222
230 V	1,6 m H05RN-F	420 mm / corrugated hose	included	3375/1-M	407225
24 V	4,0 m H03FFH2-F	420 mm / corrugated hose	optional	3375/5	407227
230 V	1,6 m H03VVH2-F	520 mm / corrugated hose	optional	3375/S1	407230
230 V	3,0 m H05RN-F	600 mm / rubber hose	included	3375/1-M-600	407270
24 V	4,0 m H03FFH2-F	600 mm / rubber hose	included	3375/5-M-600	407275
12 V	4,0 m H03FFH2-F	600 mm / rubber hose	included	3375/3-M-600	407276

The **Haloflex** is a multi-purpose low voltage lamp with a flexible metal arm. The strong illumination power and the glare free light guarantee optimal conditions for precise working while keeping the eye strain at a minimum. High flexibility of the lamp arm leads to the possibility of illuminating work places even at hard-to-reach areas.

## Basic version

- Halogen-Illuminant 12 Volt 20 Watt
- built-in safety transformer
- metal flexible tube with corrugated hose coating
- with switch in the luminaire head
- luminaire head and housing out of impact-proof and non-flammable, high-quality plastic
- Connected load: 230 Volt / AC / 50 Hz

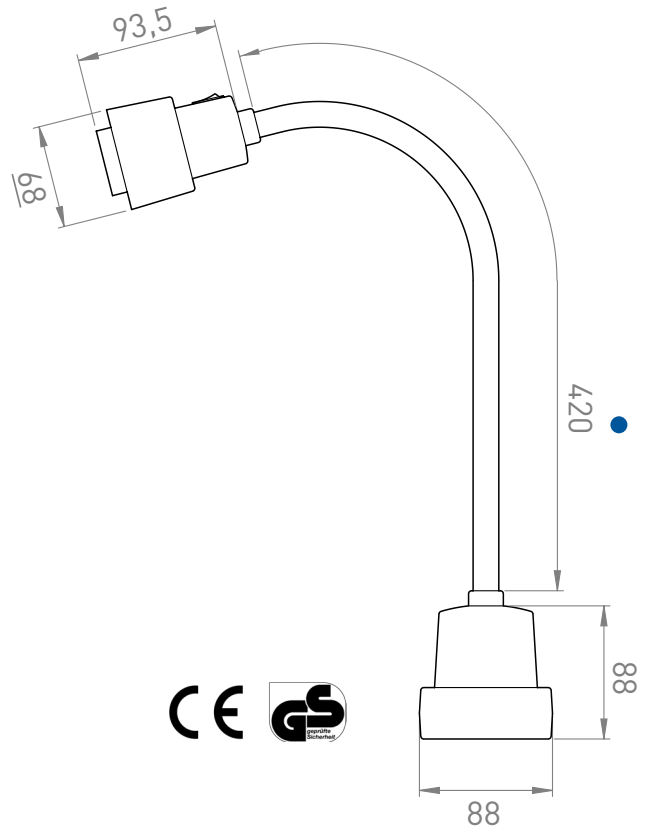
**Included in delivery:** brand halogen-illuminant, screw-type terminal, screws for direct fixation at the machine, table, wall or ceiling.

**Optional Equipment:** extra powerful magnetic base

**Degree of Protection:** IP20

**Light angle:** spot beam 10°





● available lengths 150mm, 420mm, 520mm, 600mm

The lamp types stated in the chart below are standard types with short delivery times.  
Customized variations available on request (e. g. connected load)

Connected load	Mains lead	Metal flexible tube	Type	Art.-no.:
230 V	1,6 m H03VVH2-F	150 mm / rubber hose	3375/2-150	407211
24 V	4,0 m H03FFH2-F	150 mm / rubber hose	3375/6-150	407218
12 V	4,0 m H03FFH2-F	150 mm / rubber hose	3375/4-150	407213
230 V	1,6 m H03VVH2-F	420 mm / corrugated hose	3375/2	407221
24 V	4,0 m H03FFH2-F	420 mm / corrugated hose	3375/6	407228
12 V	4,0 m H03FFH2-F	420 mm / corrugated hose	3375/4	407223
230 V	1,6 m H03VVH2-F	520 mm / corrugated hose	3375/S2	407231
230 V	3,0 m H05RN-F	600 mm / rubber hose	3375/2-M-600	407271
24 V	4,0 m H03FFH2-F	600 mm / rubber hose	3375/6-M-600	407277
12 V	4,0 m H03FFH2-F	600 mm / rubber hose	3375/4-M-600	407278

The **Haloflex IP54** is a splash water protected, multi-purpose, low voltage lamp with a flexible metal arm. The strong illumination power and the glare free light guarantee optimal conditions for precise working while keeping the eye strain at a minimum. High flexibility of the lamp arm leads to the possibility of illuminating work places even at hard-to-reach areas.

## Basic version

- Halogen-Illuminant 12 Volt 20 Watt
- built-in safety transformer
- metal flexible tube with corrugated hose coating
- with switch in the luminaire head
- luminaire head and housing out of impact-proof and non-flammable, high-quality plastic
- Connected load: 230 Volt / AC / 50 Hz
- protection glass

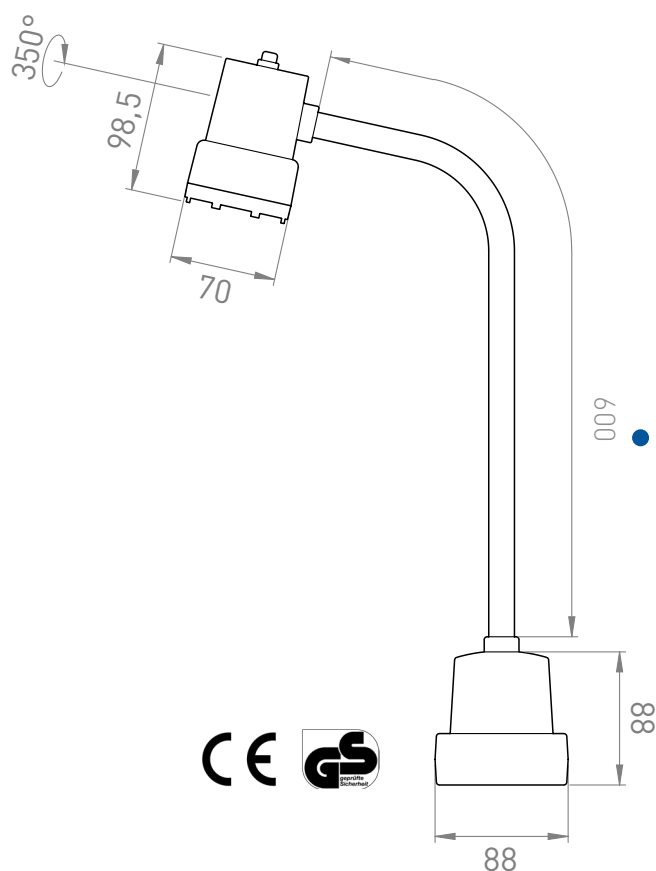
**Included in delivery:** brand halogen-illuminant, screw-type terminal, screws for direct fixation at the machine, table, wall or ceiling.

**Optional Equipment:** extra powerful magnetic base

**Degree of Protection:** IP 54

**Light angle:** wide beam 36°





● available lengths 150mm, 600mm



The lamp types stated in the chart below are standard types with short delivery times.  
Customized variations available on request (e. g. connected load)

Connected load	Mains lead	Metal flexible tube	Type	Art.-no.:
230 V	3 m H07RN-F	150 mm / rubber hose	3375/1-M SG150	407272
230 V	3 m H07RN-F	600 mm / rubber hose	3375/1-M SG600	407273

The **Kaliflex** is a multi-purpose (cold-light) lamp with a flexible metal arm. The strong illumination power, the big light field and the glare free light, guarantee optimal conditions for precise working while keeping the eye strain at a minimum. High flexibility of the lamp arm leads to the possibility of illuminating work places even at hard-to-reach areas.

## Basic version

- Compact fluorescent tube 11 Watt
- Integrated ballast
- metal flexible tube with shrink hose coating
- with switch in the luminaire head
- luminaire head out of aluminium;  
housing out of impact-proof and non-flammable,  
high-quality plastic
- Connected load: 230 Volt / AC / 50 Hz

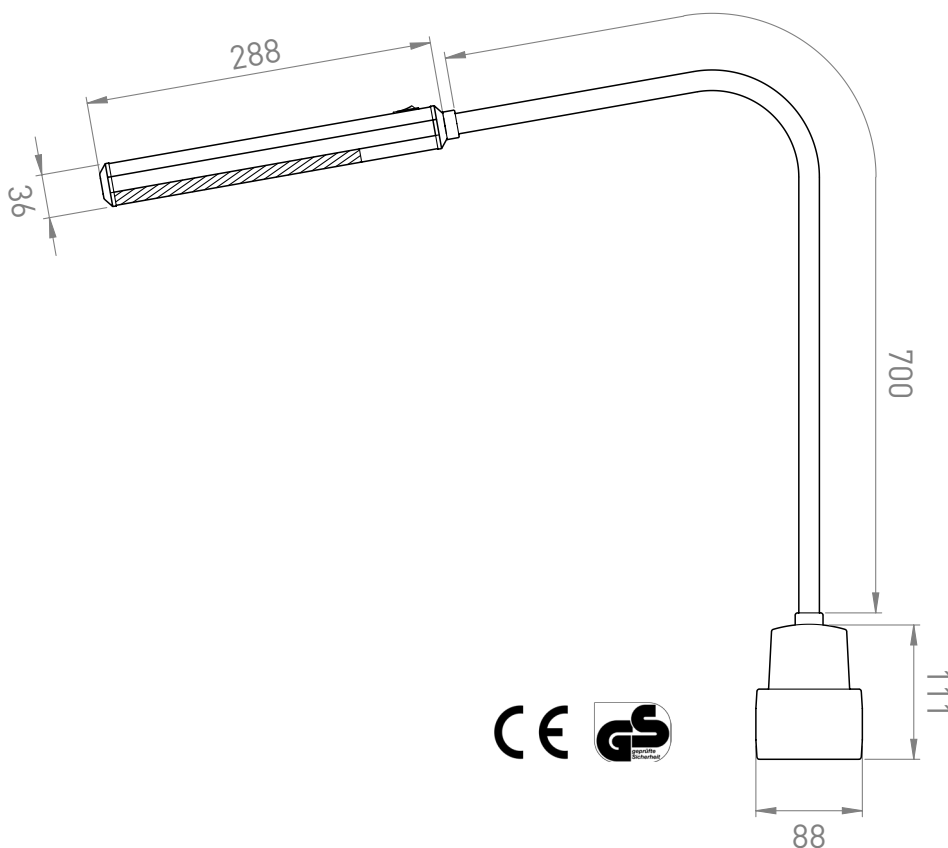
**Included in delivery:** brand halogen-illuminant,  
screw-type terminal,  
screws for direct fixation at the  
machine, table, wall or ceiling.

**Optional Equipment:** extra powerful magnetic base

**Degree of Protection:** IP40

**Light angle:** wide beam





The lamp types stated in the chart below are standard types with short delivery times.  
 Customized variations available on request (e. g. connected load)

Connected load	Mains lead	Metal flexible tube	turnable head	Typ	Art.-no.:
230 V	3 m H05RN-F	700 mm / rubber hose	no	3376/1	407500
230 V	3 m H05RN-F	700 mm / rubber hose	yes	3376/2	407501