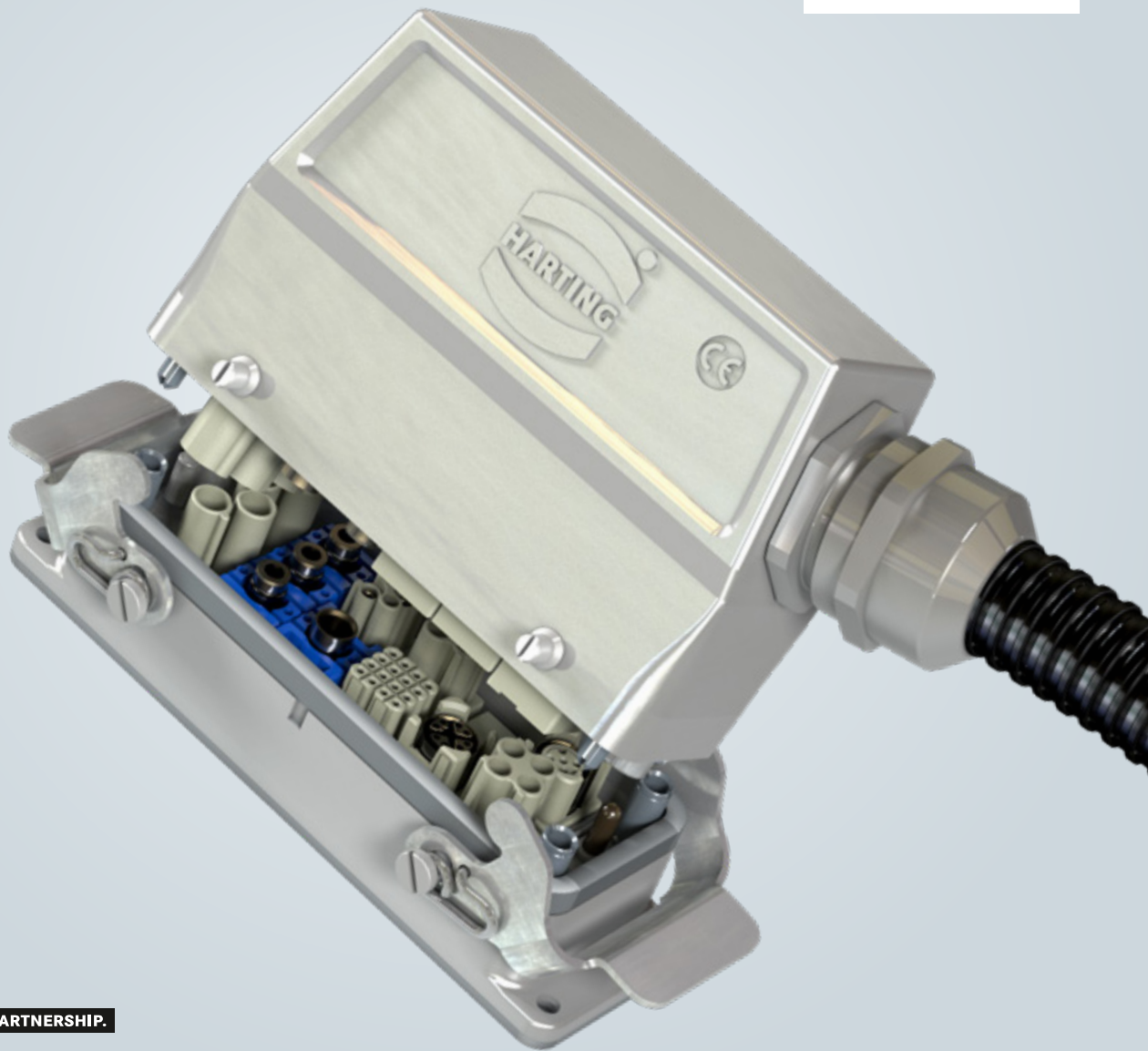




Pushing Performance
Since 1945



PEOPLE. POWER. PARTNERSHIP.

HARTING Han-INOX®

Stainless steel housing of the Han® B series

HARTING Han-INOX[®]

Features and Benefits

Han-INOX[®] is a series of connectors that are particularly well suited for corrosive environments, as all housings, locking levers and cable glands engaged are made of high-quality stainless steel. The housings are ready for use in the food industry and in processing technology. With Han-INOX[®] IP 65/67-protected connections can be realised in the fields of data transmission as well as in power supply, working well even under toughest conditions. The high resistance to aggressive impacts enables a safe operation of the component even in outdoor environments. Han-INOX[®] hoods and housings effectively protect against chemical substances such as cleaning agents. Available in Han[®] 3 A and 6-24 B sizes, Han-INOX[®] covers the entire range of industrial requirements for professional connection technology with proven standard contact inserts. Han-INOX[®] helps modern transmission and network technology to make its way into new fields of application.

Features:

- Hoods/housing and locking elements made of stainless steel
- Resistant to aggressive chemicals/cleaning agents
- Weatherproof
- Extremely corrosion resistant



Water and sewage industry



Food industry



Energy distribution and storage



Pharmaceutical Industry



Chemical industry



Offshore



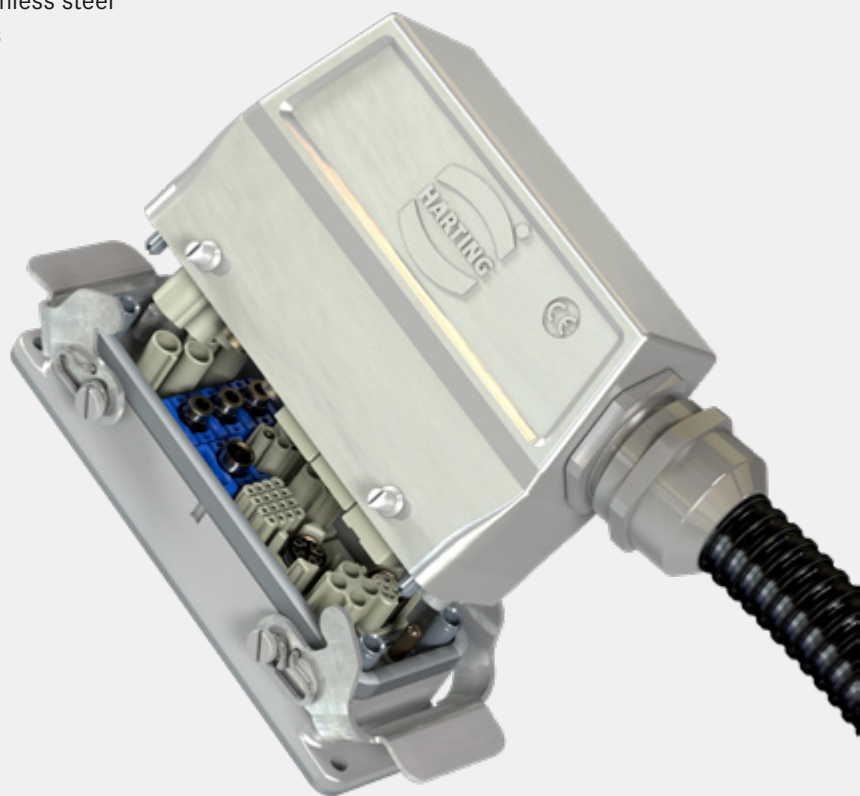
IP protected



Data



Power



For more information refer to our homepage:
www.HARTING.com

HARTING Han-INOX®

Technical characteristics

Han-INOX® Hoods/Housings for higher corrosion requirements

Material	stainless steel
Colour	non coloured
Surface	electrical conductive
Surface	stainless steel
Lever type	lever, metal
Hoods/Housings seal	FPM
Limiting temperatures	-40 °C ... +125 °C
Approval	UL 50 NEMA Type 4/4X/12, DNV GL
Degree of protection acc. to DIN EN 60 529 for coupled connector	IP65




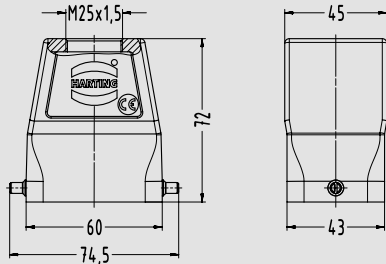

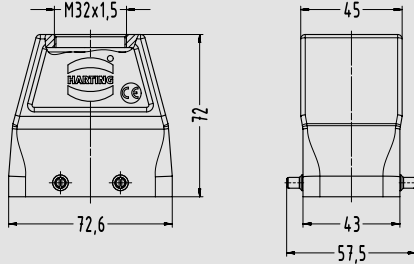

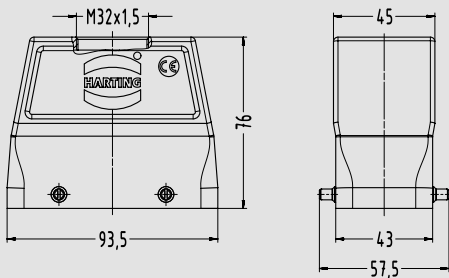

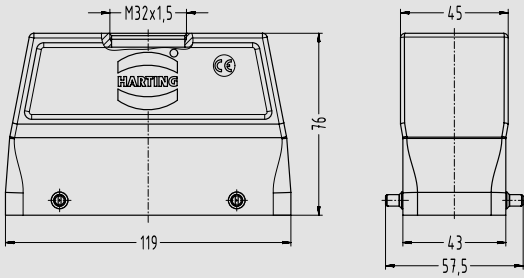
<https://b2b.harting.com/380516>

General information:

It is the customer's responsibility to check whether the components illustrated in this catalogue also comply with different regulations from those stated in special fields of applications. We reserve the right to modify designs or substance of content in order to improve quality, keep pace with technological advancement or meet particular requirements in production. No part of this catalogue may be reproduced in any form (print, photocopy, microfilm or any other process) or processed, duplicated or distributed by means of electronic systems without the prior written consent of © HARTING Electric Stiftung & Co. KG, Espelkamp.


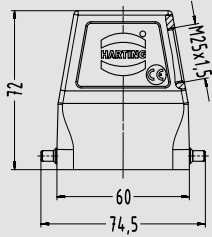
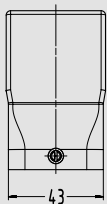
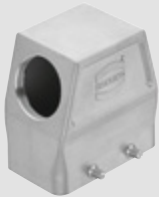
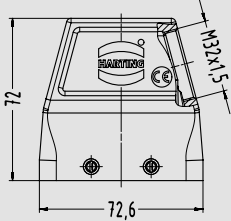
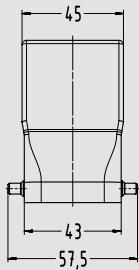

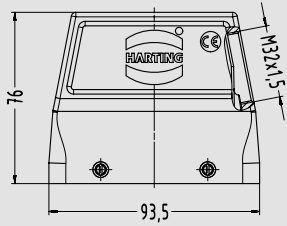
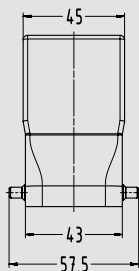

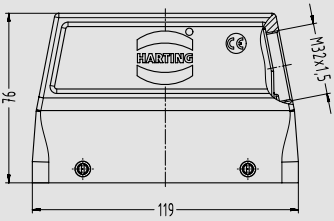
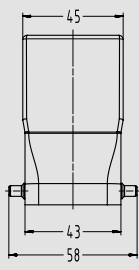
HARTING Han-INOX®

Components and part numbers

	Size	Part number	Figure	Dimension
Hood/Top entry	6 B	19 44 006 0446		
	10 B	19 44 010 0427		
	16 B	19 44 016 0427		
	24 B	19 44 024 0427		


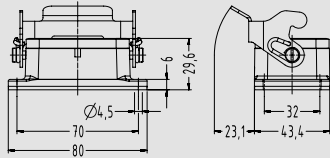

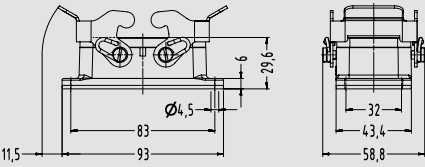

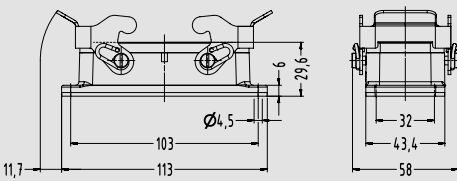

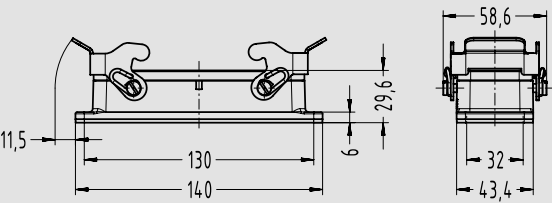
HARTING Han-INOX®

Components and part numbers

	Size	Part number	Figure	Dimension
Hood/Side entry	6 B	19 44 006 0546		 
	10 B	19 44 010 0527		 
	16 B	19 44 016 0527		 
	24 B	19 44 024 0527		 


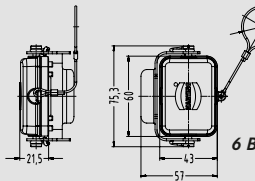

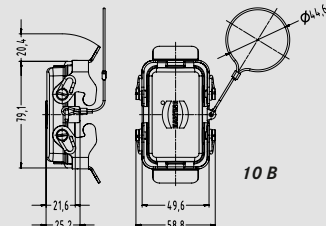

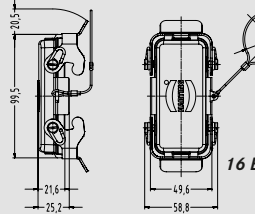

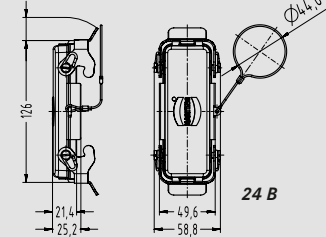

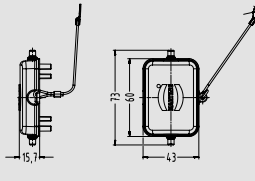

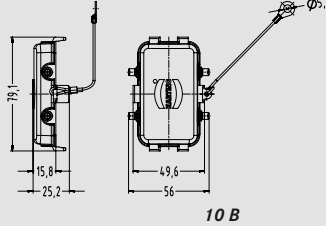

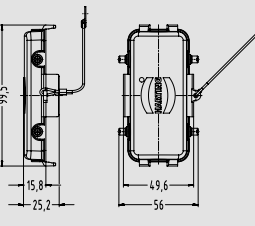

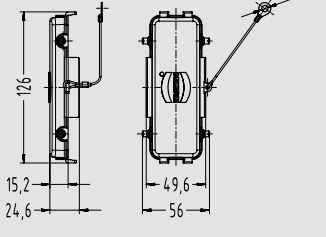
HARTING Han-INOX®

Components and part numbers

	Size	Part number	Figure	Dimension
Bulkhead mounted housing	6 B	19 44 006 0301		
	10 B	19 44 010 0301		
	16 B	19 44 016 0301		
	24 B	19 44 024 0301		

HARTING Han-INOX®

Components and part numbers

	Baugröße	Artikelnummer	Abbildung	Dimension
Abdeckkappe mit Dichtung	6 B	19 44 006 5402		
	10 B	19 44 010 5402		
	16 B	19 44 016 5402		
	24 B	19 44 024 5402		
Abdeckkappe ohne Dichtung	6 B	19 44 006 5405		
	10 B	19 44 010 5405		
	16 B	19 44 016 5405		
	24 B	19 44 024 5405		



Pushing Performance
Since 1945

HARTING.com – the gateway to your country website
