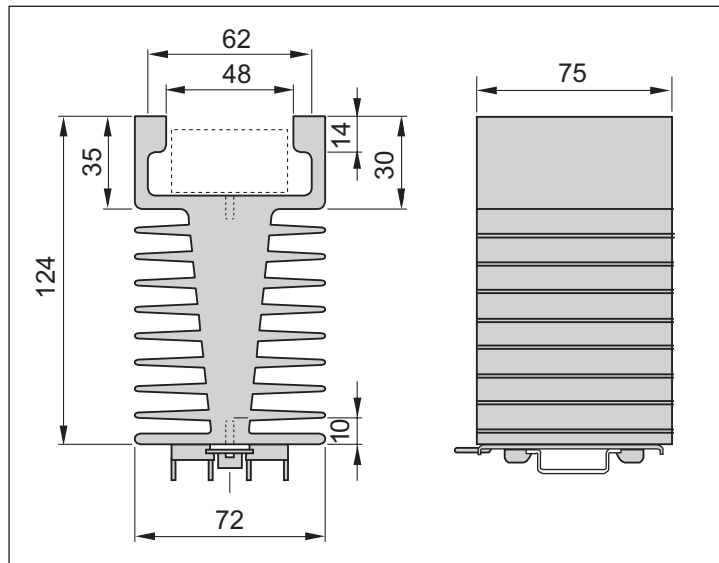
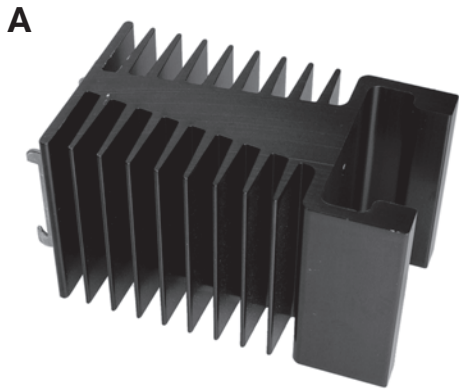


## Accessories

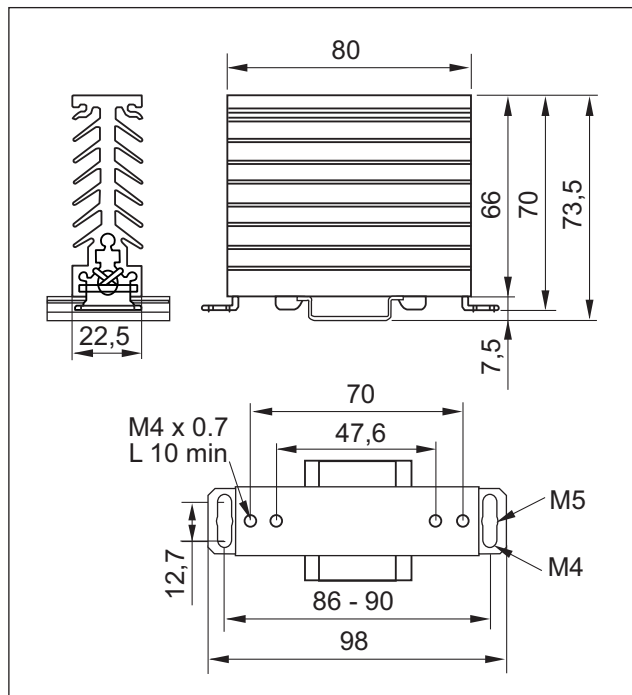
### Heat sink for 1- and 3-phases solid-state relays



It is essential to use heat conduction foil or heat conductive paste between the solid-state relay and the heat sink.

**Heat conduction foil is already applied on or supplied with all Selectron semiconductor relays!**

### B



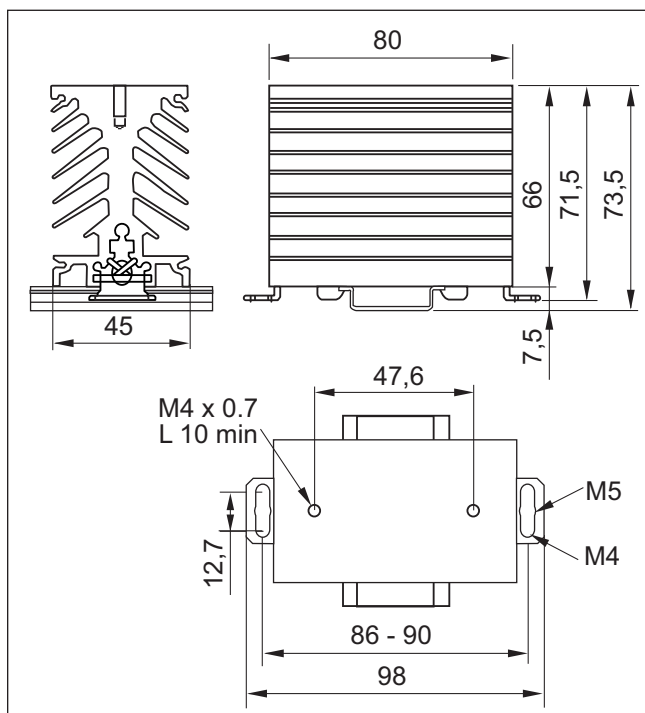
Description	Type	Dimension	Weight	Article number
Heat sink 0,7 °C/W	HRK 0,7 C	A	915 g	41920003
Heat sink 3,0 °C/W	HK 3,0C	B	150 g	42310300

(Order data see chapter 1)

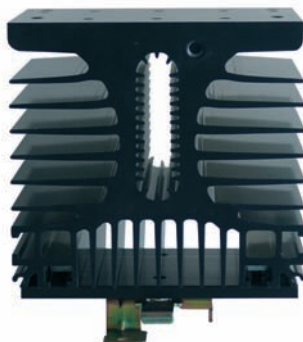
## Accessories

### Heat sink for 1- and 3-phases solid-state relays

C

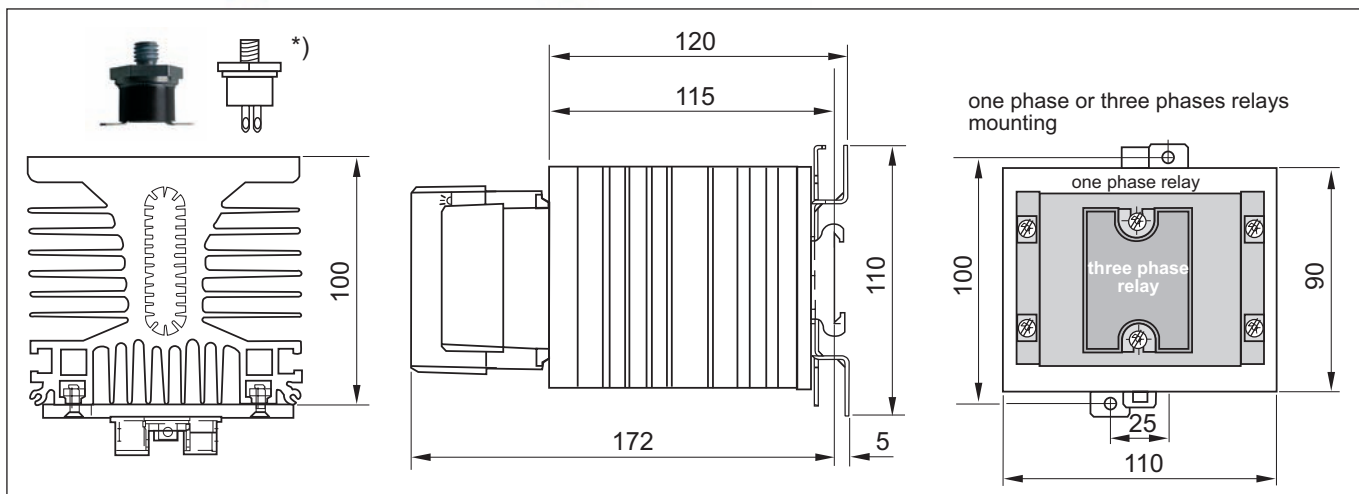


D



It is essential to use heat conduction foil or heat conductive paste between the solid-state relay and the heat sink.

**Heat conduction foil is already applied on or supplied with all Selectron semiconductor relays!**

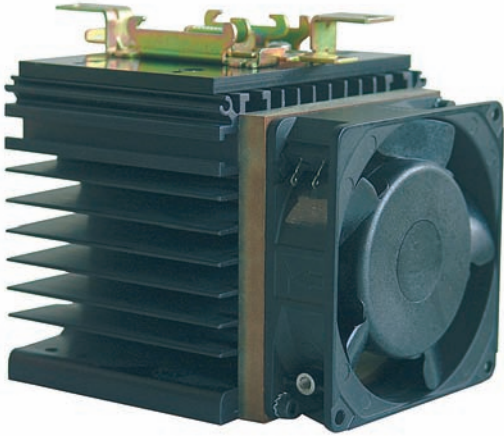


Description	Type	Dimension	Weight	Article number
Heat sink 2,2 °C/W	HK 2,2C	C	300 g	42310304
Heat sink 0,9 °C/W	HK 0,9C	D	1'400 g	42310302
*) Thermostat	TS 90 M6 for heat sink HK 0,9		10 g	42310320

(Order data see chapter 1)

## Accessories

### Ventilator for 1- and 3-phases solid-state relays



#### Heat sink with fan for all screw-on relays

Type	HK 0,3 LB 230
Operating voltage	230 Vac
Power consumption	9 W
Heat dissipation with HRK 0,5	0,3 °C/W
Weight without heat sink	1'770 g
Fasteningscrews for 3-phases relays are included in delivery	
Article number	42310305
(Order data see chapter 1)	

