

PRELIMINARY



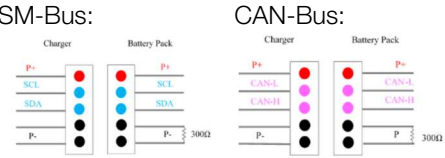
*Illustration similar

HY-Di-CHG-A1 HY-LINE Smart Battery Charger

- Dual bay charger
- SM- and CAN-Bus communication via HBI (HY-LINE Battery Interface)
- Optional: external power supply 160W

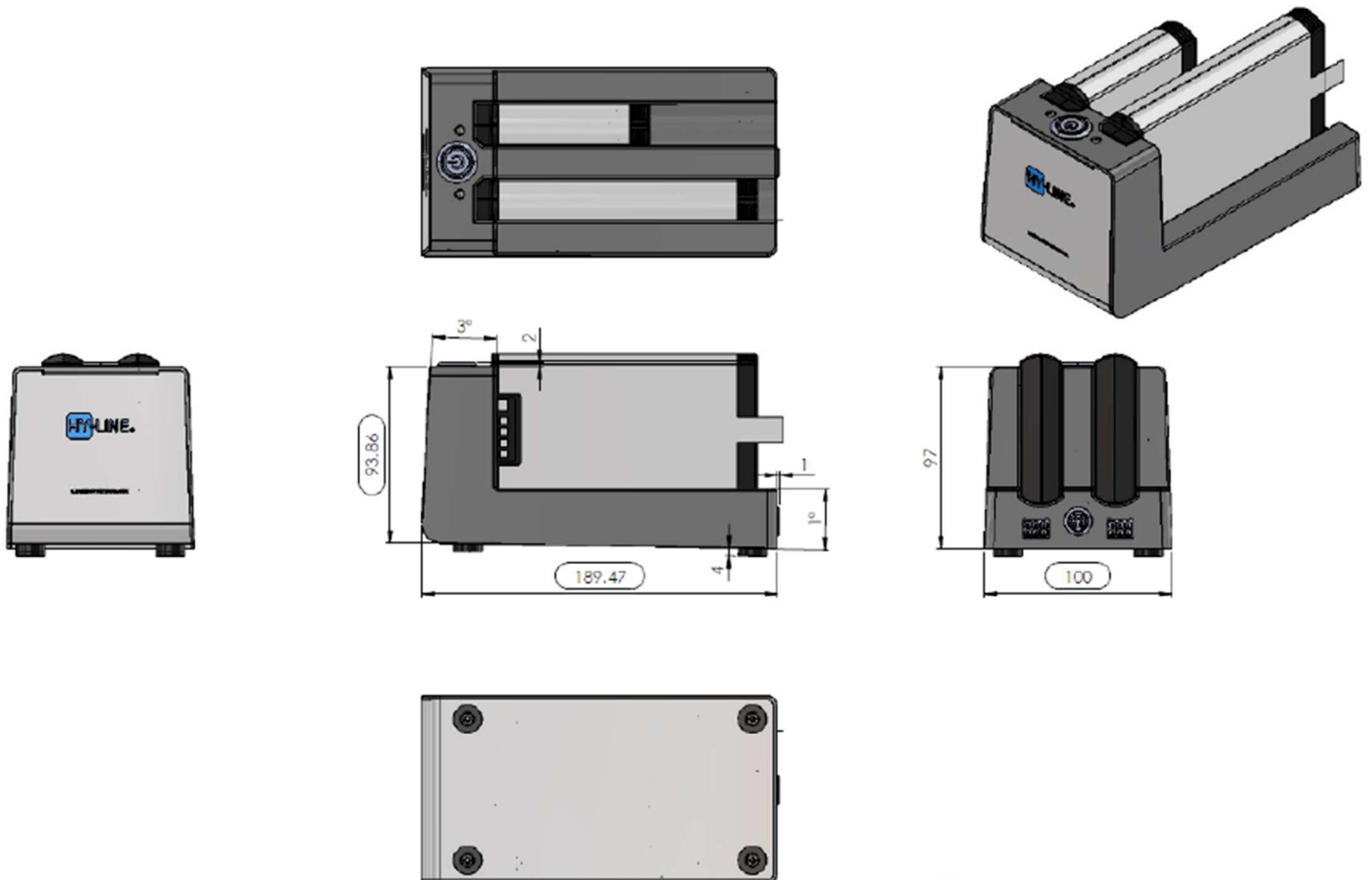
HY-Di-CHG-A1 - HY-LINE Smart Battery Charger

Specifications

Item	Descriptions	Specifications	Remark
1	Model Number	HY-Di-CHG-A1	
2	To be used for	HY-LINE Smart Battery Family	2S up to 4S
3	Input Voltage	100 ~ 240VAC, 50 to 60 Hz.	Recommended power adapter: ATM-160T-P240 (med. Certified) or ATS160T-P240
4	AD/DC Adaptor	DC 24V, 0-6.6A	
5	Max Input Power	160W	
6	Charging Current per slot	1.6A at 16.8V 3.2A at 8.4V/12.6V/16.8V 4.8A at 8.4V 6.4A at 8.4V	Battery configuration: 1P Battery configuration: 2P Battery configuration: 3P Battery configuration: 4P
7	Short circuit protection input	10.0A	
8	Short circuit protection output	10.0A	
9	Over current protection	1.8 ±0.1A 3.6 ±0.3A 5.4 ±0.5A 7.2 ±0.7A	Battery configuration: 1P Battery configuration: 2P Battery configuration: 3P Battery configuration: 4P
10	Over voltage protection	8.6V / 12.9V / 17.2V	
11	Enclosure	PC + ABS, Sabic C6600, color black AL5052, sand blasting	Top housing Bottom plate
12	Operation temperature	0°C ~ 40°C	
13	Storage temperature	-10°C ~ 60°C	
14	Input connector charger	4pin mini DIN	Pin1: + Pin2: + Pin3: - Pin4: -
15	Output connector charger	AMP 5787419-1 5-pin Plug	<p>SM-Bus: CAN-Bus:</p> 
16	Dimension (mm)	L189.5 * W100 * H94	
17	LED indication (one per slot)	1: Charger Power on 2: Charging in process 3: Battery fully charged 4: Charging abnormal	Orange LED flash Green LED flash Green LED on Red LED on
18	Certifications	CE	Safety: IEC 60335-2-29:2016+A1:2019 EMC: IEC 60601-1-2:2014

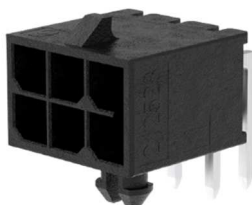
HY-Di-CHG-A1 - HY-LINE Smart Battery Charger

Mechanical

Drawing

Communication Connector and PIN definition

Connector: Molex Mirco-Fit+ 212528-0600:

PIN definition:



Pin1 DATA	Pin3 GND	Pin5 CAN-L
Pin2 CLOCK	Pin4 GND	Pin6 CAN-H

HY-Di-CHG-A1 - HY-LINE Smart Battery Charger

Accessories

Item	Part number	Remark
 <p>Power Supply</p>	ATM160T-P240	Universal Input: 100 - 240VAC Output: 24VDC / 0 - 6.6A / 160W max. Efficiency (av): ≥88% Protection: OVP, SCP, OCP, OTP DoE Level VI Dimensions: 183.2*81.0*42.3mm Weight: 720g Material flammability: UL 94V-0 Enclosure color: black Suitable for usage in medical equipment.
 <p>Power Supply</p>	ATS160T-P240	Universal Input: 100 - 240VAC Output: 24VDC / 0 - 6.6A / 160W max. Efficiency (av): ≥88% Protection: OVP, SCP, OCP, OTP DoE Level VI Dimensions: 175.2*74.0*42.0mm Weight: 700g Material flammability: UL 94V-0 Enclosure color: black
 <p>HY-LINE Battery Interface</p>	HY-Di-HBI-A1	integrated webserver CAN- and SM-Bus ready to use microUSB for power supply (5V/1A)
<p>Connection cable</p>	HK-HBI-CH01	Connection cable HBI to HY-LINE Smart Battery Charger (HY-Di-CHG-A1)
<p>AC cord Switzerland</p>	H7M300	3-pole instrument cable, L=1.8m Swiss plug Appliance outlet : C13
<p>AC cord Germany (Schuko)</p>	H7M301	3-pole instrument cable, L=1.8m Schuko plug Appliance outlet : C13
<p>AC cord US</p>	H7M302	3-pole instrument cable, L=1.8m US plug Appliance outlet : C13
<p>AC cord Australia</p>	H7M303	3-pole instrument cable, L=1.8m AUS plug Appliance outlet : C13
<p>AC cord United Kingdom</p>	H7M304	3-pole instrument cable, L=1.8m UK plug Appliance outlet : C13

HY-Di-CHG-A1 - HY-LINE Smart Battery Charger

Contact

HY-LINE AG

Hochstrasse 355
CH-8200 Schaffhausen

Support:

+41 (0) 52 / 647 42 00

+41 (0) 52 / 647 42 01

Mail us:

info@hy-line.ch

HY-LINE Power Components Vertriebs GmbH

Inselkammerstrasse 10
D-82008 Unterhaching

Support:

+49 89 614 503 10

+49 89 614 503 20

Mail us:

power@hy-line.de



HY-LINE AG

HY-LINE AG belongs to the HY-LINE group, a group of specialized distributors.

HY-LINE AG is a specialist in batteries and systems. In addition to standard batteries and charging and maintenance systems, the focus is on the development and design of custom-specific batteries and systems.

HY-LINE Power Components Vertriebs GmbH

HY-LINE Power Components is part of the HY-LINE Group, a group of specialized distributors.

HY-LINE Power Components supplies all core parts and components for power electronics and power supply technology. As a highly specialized distributor and manufacturer representative, HY-LINE Power Components has extensive application-specific know-how and provides support already during the design phase in the selection of components and the configuration of coordinated subsystems.

HY-LINE® is a registered trademark of the HY-LINE Group.
Energy_Datasheet_HY-Di-CHG-A1_Charger | June 2021
Subject to changes without notice | All Information without guarantee
© 2021, HY-LINE Group