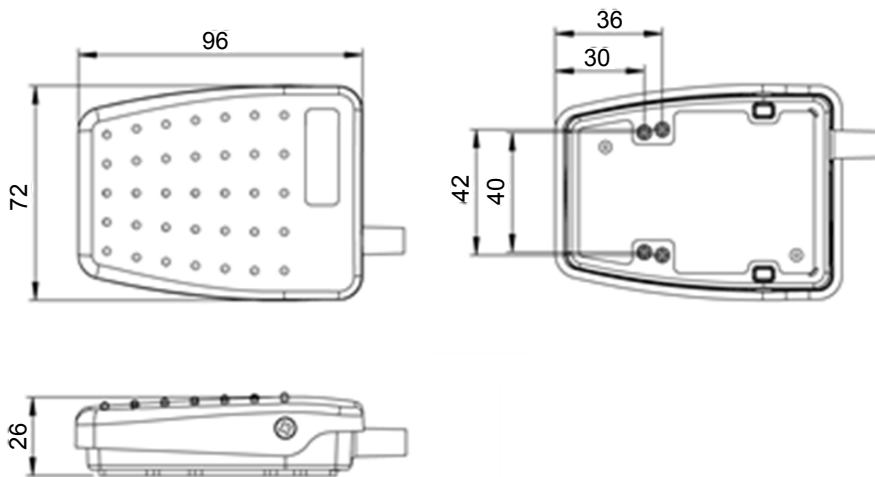


Cost effective range - ex stock delivery

- Low profile, rear hinged switch designed for improved user comfort
- All plastic construction with raised tread pattern and anti-slip pad
- Versatile and innovative design make it an ideal product for OEM use

**Reference dimensions****6227-SC General specifications**

Standards/approvals	Footswitch: low voltage directive 2014/35/EU, EN 60950
Degree of protection	EN 60529 IPX2
Connection method	2m of black cable with stripped ends
Electrical rating	6A 250V AC
Contact configuration	SPST N/O (Single pole normally open), Momentary action
Operating temperature range	-20°C to +60°C
Body material	Thermoplastic
Weight	0.12Kg
Additional information	Black cover, black base

Minimum delivered batch quantities - 100 pcs