

**Industrial Ethernet
IE-TO-RJ45-FJ-A**

Weidmüller Interface GmbH & Co. KG
Klingenbergstraße 16
D-32758 Detmold
Germany
Fon: +49 5231 1429-0
Fax: +49 5231 14292083
www.weidmueller.com



Mounting rail outlet, RJ45 module design according to IEC 60603-7-51, for wires with diameters up to 1.6 mm

General ordering data

Type	IE-TO-RJ45-FJ-A
Order No.	8946930000
Version	Mounting rail outlet, RJ45, EIA/TIA T568 A, IP20
GTIN (EAN)	4032248734917
Qty.	10 pc(s).

**Industrial Ethernet
IE-TO-RJ45-FJ-A**

Weidmüller Interface GmbH & Co. KG
 Klingenbergstraße 16
 D-32758 Detmold
 Germany
 Fon: +49 5231 1429-0
 Fax: +49 5231 14292083
 www.weidmueller.com

Technical data**Dimensions and weights**

Net weight	5.42 g
------------	--------

Temperatures

Humidity	0...93 % rel. humidity	Operating temperature	-40 °C...70 °C
Storage temperature		Temperature range, installation, min.	-25 °C
Installation temperature		Temperature range, installation, max.	70 °C

General data

Connection 1	RJ45	Connection 2	IDC
Configuration	Switchable volt. connection from module/ coupling to mounting rail	Wiring	EIA/TIA T568 A
Colour	Light Grey	Shock resistance acc. to IEC 60512-4	250 ms ⁻²
Vibration resistance acc. to IEC 60512-4	50 ms ⁻² sinusoidal (9 – 500 Hz)	Humidity	0...93 % rel. humidity
Housing main material	PA UL 94 V0	Insulation cross-section, max.	1.6 mm
Category	Cat.6 _A / Class E _A (ISO/IEC 11801 2010)	Contact material	Spring steel, Ni 1.2 µm
Contact surface	Au ≥ 0.8 µm	Connection diameter, solid	0.4...0.64 mm
Conductor connection cross-section, solid (AWG)	AWG 24...AWG 22	Connection diameter, flexible	0.48...0.76 mm
Conductor connection cross-section, flexible (AWG)	AWG 26...AWG 22	Sheath diameter, min.	5.5 mm
Sheath diameter, max.	10 mm	Type of mounting	TS 35
Protection degree	IP20	Plugging cycles	750
Ability to reconnect	≥ 10 cycles for AWG 23-26, ≥ 4 cycles for AWG 22		

Electrical properties

Contact resistance	≤ 20 mΩ	Current-carrying capacity at 50 °C	1 A
Dielectric strength, contact / contact	≥ 1000 V DC	Dielectric strength, contact / shield	≥ 1500 V DC
Insulation resistance	500 MΩ	PoE / PoE+	conforming to IEEE 802.3af

Standards

Connector standard	IEC 60603-7-51
--------------------	----------------

Downloads

Attestation of conformity ISO/IEC EN & TIA/EIA Screened Class E Category 6, 3 connector permanent link	ac107534.pdf	Attestation of conformity ISO/IEC EN & TIA/EIA Screened Class E Category 6, 4 connector channel	ac107533.pdf
Attestation of conformity ISO/IEC EN & TIA/EIA Screened Class EA Category 6A, 2 connector channel	ac107535.pdf	Attestation of conformity ISO/IEC EN & TIA/EIA Screened Class EA Category 6A, 4 connector channel	z1755b-07-D.pdf
Compliance Statement Screened Category 6 ISO/IEC EN & TIA/EIA Connecting Hardware	cs107367.pdf		

Data sheet

**Industrial Ethernet
IE-TO-RJ45-FJ-A**

Weidmüller Interface GmbH & Co. KG
 Klingenbergstraße 16
 D-32758 Detmold
 Germany
 Fon: +49 5231 1429-0
 Fax: +49 5231 14292083
 www.weidmueller.com

Technical data

Classifications

ETIM 3.0	EC000018	ETIM 4.0	EC000018
ETIM 5.0	EC000018	ETIM 6.0	EC000313
UNSPSC	30-21-18-01	eClass 6.2	27-25-05-04
eClass 7.1	27-25-05-04	eClass 8.1	19-17-01-25
eClass 9.0	19-17-01-25	eClass 9.1	19-17-01-25

Product information

Descriptive text technical data Weidmüller connection cat. 7 AWG 27/7 LSZH cable possible

Approvals

Approvals



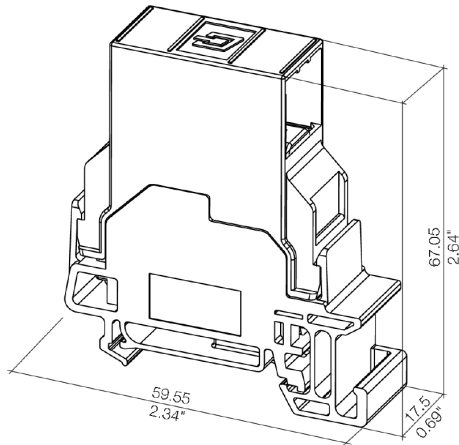
ROHS Conform

**Industrial Ethernet
IE-TO-RJ45-FJ-A**

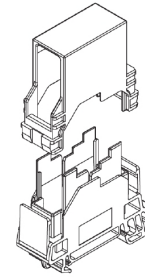
Weidmüller Interface GmbH & Co. KG
Klingenbergstraße 16
D-32758 Detmold
Germany
Fon: +49 5231 1429-0
Fax: +49 5231 14292083
www.weidmueller.com

Drawings

Dimensioned drawing



Drawing



Industrial Ethernet IE-TO-RJ45-FJ-A

Weidmüller Interface GmbH & Co. KG
Klingenbergstraße 16
D-32758 Detmold
Germany
Fon: +49 5231 1429-0
Fax: +49 5231 14292083
www.weidmueller.com

Accessories

LM MT



for labelling your cables

Features:

- for use in the laser printer
- made from polyester
- abrasion-resistant

General ordering data

Delivery status	Available until	Type	Order No.	Version	GTIN (EAN)	Qty.
Discontinued	2012-12-31T00:00:00+01:00	LM MT DIN A5 9/11 GR	1964080000	LaserMark, Device markers, 11 x 9 mm, Grey	4032248647163	10 pc(s).
Discontinued	2012-12-31T00:00:00+01:00	LM MT DIN A5 9/11 GE	1964110000	LaserMark, Device markers, 11 x 9 mm, Yellow	4032248647194	10 pc(s).
Discontinued	2012-12-31T00:00:00+01:00	LM MT DIN A5 9/11 GN	1964120000	LaserMark, Device markers, 11 x 9 mm, Green	4032248647200	10 pc(s).
Discontinued	2012-12-31T00:00:00+01:00	LM MT DIN A5 9/11 OR	1964090000	LaserMark, Device markers, 11 x 9 mm, Orange	4032248647170	10 pc(s).
Discontinued	2012-12-31T00:00:00+01:00	LM MT DIN A5 9/11 BL	1964100000	LaserMark, Device markers, 11 x 9 mm, Blue	4032248647187	10 pc(s).
Discontinued	2012-12-31T00:00:00+01:00	LM MT DIN A5 9/11 WS	1964070000	LaserMark, Device markers, 11 x 9 mm, White	4032248647156	10 pc(s).

Multicard



for labelling your cables

Features:

- for use in the laser printer
- made from polyester
- abrasion-resistant
- as accessory: pen and printing software

General ordering data

Type	Order No.	Version	GTIN (EAN)
ESG 9/11 K	1857440000	ESG, Device markers, 11 x 9 mm, PA 66, Colour: White, Self-adhesive	4032248402731
MC NE WS			