

**Industrial Ethernet  
IE-TO-SCD-MM**

**Weidmüller Interface GmbH & Co. KG**  
Klingenbergstraße 16  
D-32758 Detmold  
Germany  
Fon: +49 5231 1429-0  
Fax: +49 5231 14292083  
www.weidmueller.com



Mounting rail outlet, SC duplex junction design according to IEC 61754-4

**General ordering data**

Type	IE-TO-SCD-MM
Order No.	<a href="#">8946970000</a>
Version	Mounting rail outlet, fibre-optic, SC duplex, Multimode, POF, IP20
GTIN (EAN)	4032248734979
Qty.	10 pc(s).

**Industrial Ethernet  
IE-TO-SCD-MM**

**Weidmüller Interface GmbH & Co. KG**  
 Klingenbergstraße 16  
 D-32758 Detmold  
 Germany  
 Fon: +49 5231 1429-0  
 Fax: +49 5231 14292083  
 www.weidmueller.com

**Technical data**

**Dimensions and weights**

Net weight 40.2 g

**Temperatures**

Operating temperature	-40 °C...70 °C	Storage temperature	
Temperature range, installation, min.	-25 °C	Installation temperature	
Temperature range, installation, max.	70 °C		

**General data**

Colour	Light Grey	Connection 1	SC-Duplex
Connection 2	SC-Duplex	Fibre type	Multimode, POF
Housing main material	PA UL 94 V0	Insertion loss	≤ 0.4 dB
Plugging cycles	1000	Protection degree	IP20
Type of mounting	TS 35		

**Standards**

Connector standard	IEC 61754-4	Certificate No. (UL)	E477798
--------------------	-------------	----------------------	---------

**Classifications**

ETIM 3.0	EC000018	ETIM 4.0	EC000018
ETIM 5.0	EC000018	ETIM 6.0	EC000313
UNSPSC	30-21-18-01	eClass 6.2	27-25-05-04
eClass 7.1	27-25-05-04	eClass 8.1	19-17-01-25
eClass 9.0	19-17-01-25	eClass 9.1	19-17-01-25

**Approvals**

Approvals



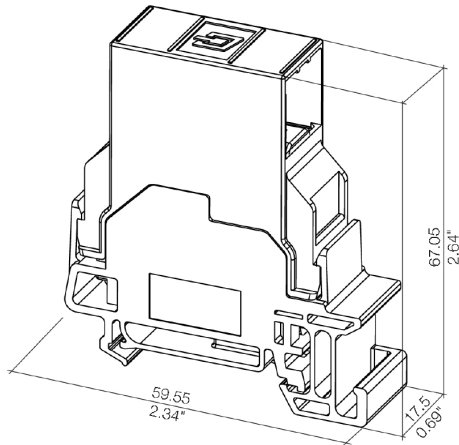
ROHS Conform

**Industrial Ethernet  
IE-TO-SCD-MM**

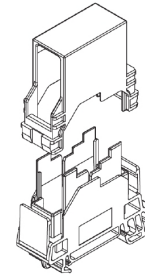
**Weidmüller Interface GmbH & Co. KG**  
Klingenbergstraße 16  
D-32758 Detmold  
Germany  
Fon: +49 5231 1429-0  
Fax: +49 5231 14292083  
www.weidmueller.com

**Drawings**

**Dimensioned drawing**



**Drawing**



## Industrial Ethernet IE-TO-SCD-MM

**Weidmüller Interface GmbH & Co. KG**  
Klingenbergstraße 16  
D-32758 Detmold  
Germany  
Fon: +49 5231 1429-0  
Fax: +49 5231 14292083  
www.weidmueller.com

## Accessories

### LM MT



for labelling your cables

Features:

- for use in the laser printer
- made from polyester
- abrasion-resistant

### General ordering data

Delivery status	Available until	Type	Order No.	Version	GTIN (EAN)	Qty.
Discontinued	2012-12-31T00:00:00+01:00	LM MT DIN A5 9/11 GR	<a href="#">1964080000</a>	LaserMark, Device markers, 11 x 9 mm, Grey	4032248647163	10 pc(s).
Discontinued	2012-12-31T00:00:00+01:00	LM MT DIN A5 9/11 GE	<a href="#">1964110000</a>	LaserMark, Device markers, 11 x 9 mm, Yellow	4032248647194	10 pc(s).
Discontinued	2012-12-31T00:00:00+01:00	LM MT DIN A5 9/11 GN	<a href="#">1964120000</a>	LaserMark, Device markers, 11 x 9 mm, Green	4032248647200	10 pc(s).
Discontinued	2012-12-31T00:00:00+01:00	LM MT DIN A5 9/11 OR	<a href="#">1964090000</a>	LaserMark, Device markers, 11 x 9 mm, Orange	4032248647170	10 pc(s).
Discontinued	2012-12-31T00:00:00+01:00	LM MT DIN A5 9/11 BL	<a href="#">1964100000</a>	LaserMark, Device markers, 11 x 9 mm, Blue	4032248647187	10 pc(s).
Discontinued	2012-12-31T00:00:00+01:00	LM MT DIN A5 9/11 WS	<a href="#">1964070000</a>	LaserMark, Device markers, 11 x 9 mm, White	4032248647156	10 pc(s).

### Multicard



for labelling your cables

Features:

- for use in the laser printer
- made from polyester
- abrasion-resistant
- as accessory: pen and printing software

### General ordering data

Type	Order No.	Version	GTIN (EAN)
ESG 9/11 K	<a href="#">1857440000</a>	ESG, Device markers, 11 x 9 mm, PA 66, Colour: White, Self-adhesive	4032248402731
MC NE WS			