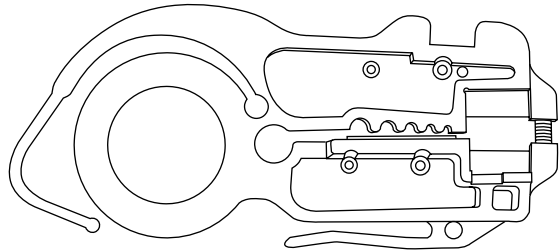


INSTRUCTIONS

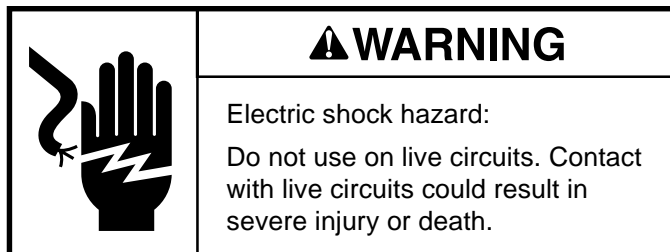


45579 Twisted Pair Cable Stripper



Description

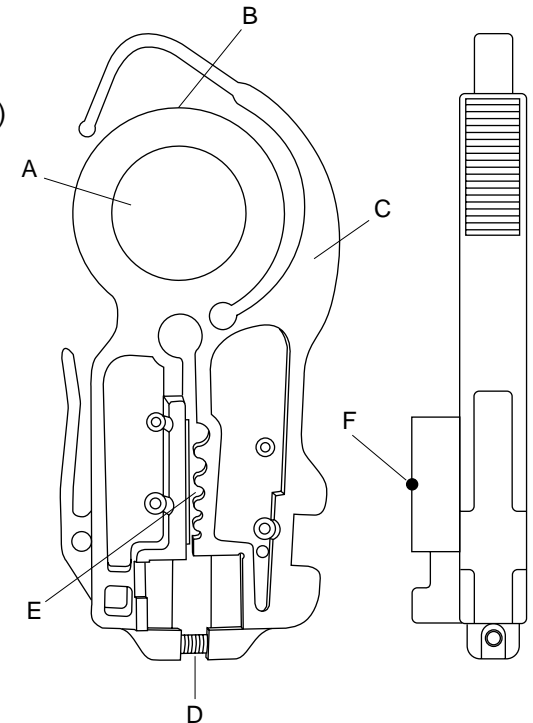
The 45579 Twisted Pair Cable Stripper is intended to strip the jacket from twisted pair cable. The 45579 can strip 5 different diameters of twisted pair and includes a built-in strip length gauge.



KEEP THIS MANUAL

Features

- A. Finger Loop
- B. Notch (on underside of tool)
- C. Tension Arm
- D. Adjustment Screw
- E. Stripping Cavities
- F. Strip Length Gauge



Stripping

1. Squeeze the tension arm to open the tool.
Note: For shielded or thick-jacketed cable, slide the tension arm into the notch. Adjust cutting depth by turning adjustment screw (D) with wrench provided with tool.
2. Insert the cable into the appropriate cavity.
3. Rotate the tool around the cable once to score the jacket.
Note: Aligning the end of the cable with the strip length gauge (F) will provide approximately .600" (15.25 mm) of conductor after the cables are untwisted.
4. Bend the cable at the score to crack the jacket. Remove the jacket.
5. Remove the tension arm from the notch for storage.

GREENLEE®
A Textron Company

4455 Boeing Drive, Rockford, IL 61109-2988 USA
Customer Service (International): 815-397-7070 • Fax: 815-397-9247
Customer Service (North America): 800-435-0786
USA Fax: 800-451-2632, 815-397-1865 • Canada Fax: 800-524-2853
Greenlee Textron is a subsidiary of Textron Inc.