

IPSLAT SERIES

LOW RANGE, INTRINSICALLY SAFE PRESSURE SENSOR - 1/4" BSP



The IPSLAT series is ideally suited for use in a wide range of industrial applications in hazardous areas. The transducer uses a piezo-resistive silicon sensor in a stainless steel housing giving excellent media compatibility for the harshest of applications.

The product is both ATEX and IECEx approved for use in zone 0 gaseous and dust laden environments, and is compatible with off-the-shelf safety barriers.

Each transducer is temperature compensated, calibrated and supplied with a traceable serial number and calibration data.

Approvals

ATEX / IECEx

⊕ II 1G Ex ia IIC T4 Ga (Ta -20°C to +75°C)

⊕ II 1D Ex ia IIIC T135°C Da (Ta -20°C to +65°C)

Features

- Piezo-resistive silicon sensor
- Stainless steel body & diaphragm
- Accuracy $\leq \pm 0.25\%$ FS BFSL
- Pressure ranges from 50 mbar to 1000 mbar
- Gauge or Absolute pressure reference
- 4-20mA Output
- Gas and Dust approvals

SPECIFICATIONS

Performance

Accuracy (Non-linearity & Hysteresis)	$\leq \pm 0.25\%$ / FS (BFSL) for gauge, $\leq \pm 0.5\%$ for Absolute	
Setting Errors (Offsets)	2-wire	Zero & Full Scale, $\leq \pm 0.5\%$ / FS

Environmental Conditions

Shock	100g / 11s
Vibration	10g RMS (20 - 2000Hz)
Ambient Temperature Range*	-20°C to +75°C (65°C for dust)
Storage Temperature	-20°C to +80°C
Humidity	5% to 95% RH non-condensing

* Ensure that media temperature does not cause transducer temperature to exceed the ambient temperature rating.

Electrical Protection

Supply Reverse Polarity	No damage/no function
Insulation Resistance	> 500Vac

Material

Housing	316 Stainless Steel
"O" Ring Seals	Viton
Diaphragm	316 Stainless Steel
Media Wetted Parts	Housing & connection, 'O' ring seal, diaphragm
Weight	Approx 100g
Installation Position	Any, small zero shift when tilted through 90°

Temperature & Thermal Effects

Compensated Temperature Range	+20°C to +80°C
Thermal Zero Shift (TZS)	<±0.04% /FS/°C
Thermal Span Shift	<±0.015% /°C (typical)



PRESSURE RANGES

Calibrated Pressure, Gauge	mbar	50	100	250	500	750	1000
Nominal Pressure, Absolute	mbar				500	750	1000
Permissible Overpressure	bar	2	2	2	5	5	5
Burst Pressure	bar	5	5	5	7.5	7.5	7.5

Output Signal & Supply Voltage DIN 43650

Wire System	Output	Supply Volts	Connection	Pin No.
2-wire	4 - 20mA	10 - 28Vdc	+ve Supply	Pin 1
			-ve Supply	Pin 2
			Ground	Earth Pin

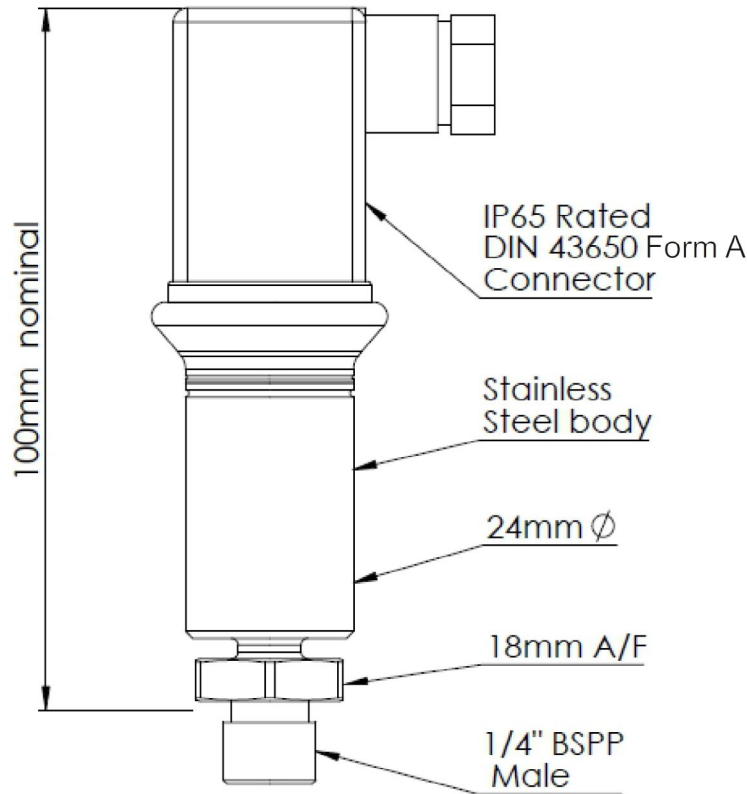
Part No	Pressure Range
IPSLAT-G0050-5	0 - 50mbar G
IPSLAT-G0100-5	0 - 100mbar G
IPSLAT-G0250-5	0 - 250mbar G
IPSLAT-G0500-5	0 - 500mbar G
IPSLAT-G0750-5	0 - 750mbar G
IPSLAT-G1000-5	0 - 1000mbar G
IPSLAT-A0500-5	0 - 500mbar Abs
IPSLAT-A0750-5	0 - 750mbar Abs
IPSLAT-A1000-5	0 - 1000mbar Abs

Custom versions can be made for particular applications.



DIMENSIONS

All dimensions are in millimeters.



Made in the UK

Page 3

Sensata Technologies, Inc. ("Sensata") data sheets are solely intended to assist designers ("Buyers") who are developing systems that incorporate Sensata products (also referred to herein as "components"). Buyer understands and agrees that Buyer remains responsible for using its independent analysis, evaluation and judgment in designing Buyer's systems and products. Sensata data sheets have been created using standard laboratory conditions and engineering practices. Sensata has not conducted any testing other than that specifically described in the published documentation for a particular data sheet. Sensata may make corrections, enhancements, improvements and other changes to its data sheets or components without notice.

Buyers are authorized to use Sensata data sheets with the Sensata component(s) identified in each particular data sheet. HOWEVER, NO OTHER LICENSE, EXPRESS OR IMPLIED, BY ESTOPPEL OR OTHERWISE TO ANY OTHER SENSATA INTELLECTUAL PROPERTY RIGHT, AND NO LICENSE TO ANY THIRD PARTY TECHNOLOGY OR INTELLECTUAL PROPERTY RIGHT, IS GRANTED HEREIN. SENSATA DATA SHEETS ARE PROVIDED "AS IS". SENSATA MAKES NO WARRANTIES OR REPRESENTATIONS WITH REGARD TO THE DATA SHEETS OR USE OF THE DATA SHEETS, EXPRESS, IMPLIED OR STATUTORY, INCLUDING ACCURACY OR COMPLETENESS. SENSATA DISCLAIMS ANY WARRANTY OF TITLE AND ANY IMPLIED WARRANTIES OF MERCHANTABILITY, FITNESS FOR A PARTICULAR PURPOSE, QUIET ENJOYMENT, QUIET POSSESSION, AND NON-INFRINGEMENT OF ANY THIRD PARTY INTELLECTUAL PROPERTY RIGHTS WITH REGARD TO SENSATA DATA SHEETS OR USE THEREOF.

All products are sold subject to Sensata's terms and conditions of sale supplied at www.sensata.com SENSATA ASSUMES NO LIABILITY FOR APPLICATIONS ASSISTANCE OR THE DESIGN OF BUYERS' PRODUCTS. BUYER ACKNOWLEDGES AND AGREES THAT IT IS SOLELY RESPONSIBLE FOR COMPLIANCE WITH ALL LEGAL, REGULATORY AND SAFETY-RELATED REQUIREMENTS CONCERNING ITS PRODUCTS, AND ANY USE OF SENSATA COMPONENTS IN ITS APPLICATIONS, NOTWITHSTANDING ANY APPLICATIONS-RELATED INFORMATION OR SUPPORT THAT MAY BE PROVIDED BY SENSATA.

Mailing Address: Sensata Technologies, Inc., 529 Pleasant Street, Attleboro, MA 02703, USA.

CONTACT US

+44 (0)1202 897969
 c3w_sales@sensata.com
 Cynergy3 Components Ltd.
 7 Cobham Road,
 Ferndown Industrial Estate,
 Wimborne, Dorset,
 BH21 7PE, United Kingdom