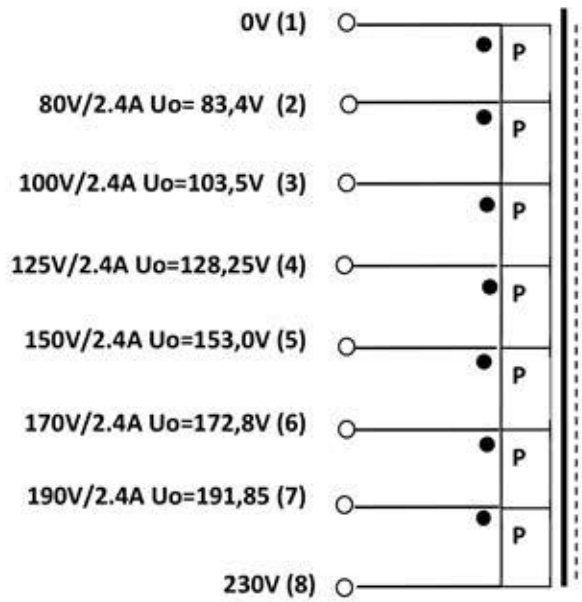


Initials: AG	Date: 31-01-2019	Part no: ST59348	Page 1 of 2
Description:		Autotransformer Input: 230V Output: 80V/100V/125V/150V/170V/190V // 2.4A	

Rev.	ST no.	Initials	Sign	Date	Appr.	Sign	Changes
1	59348	AG		31.01.2019	JS		Initial version

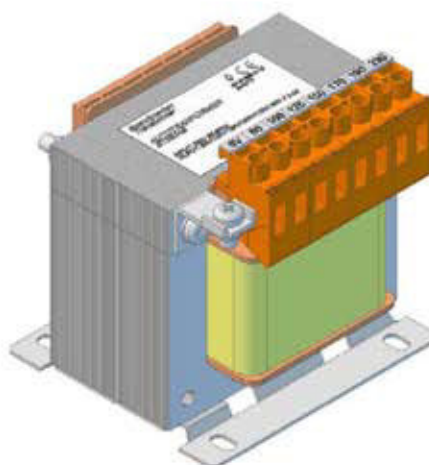
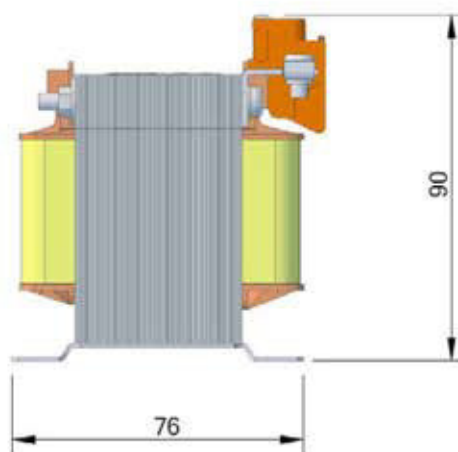
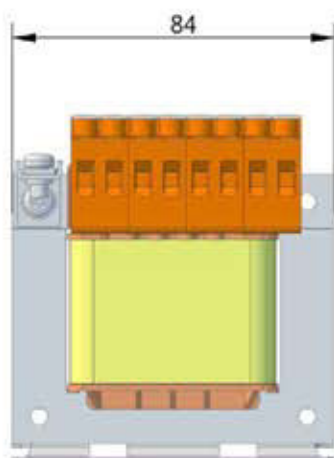
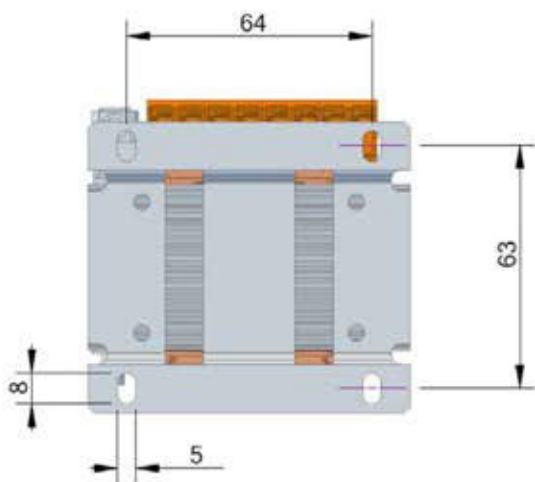


Temperature class: B

$T_a = 40^{\circ}\text{C}$

**Scandinavian
Transformer**

Description: Autotransformer Input: 230V Output: 80V/100V/125V/150V/170V/190V // 2.4A



Scandinavian Transformer