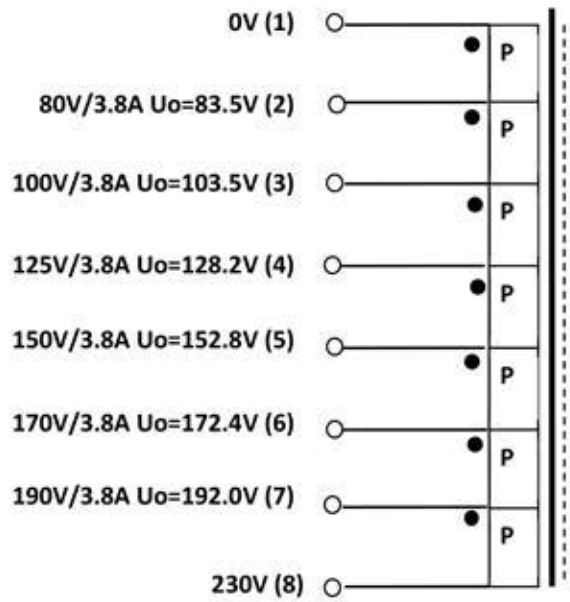


Initials: AG	Date: 19-12-2018	Part no: ST59349	Page 1 of 2
Description:		Autotransformer Input: 230V Output: 80V/100V/125V/150V/170V/190V // 3.8A	

Rev.	ST no.	Initials	Sign	Date	Appr.	Sign	Changes
1	59349	AG		19.12.2018	JS		Initial version

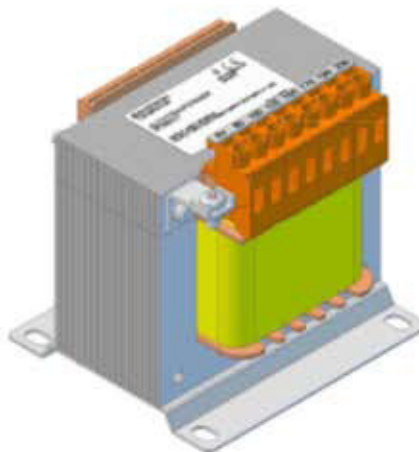
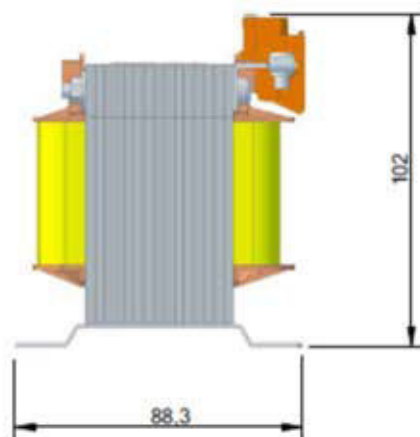
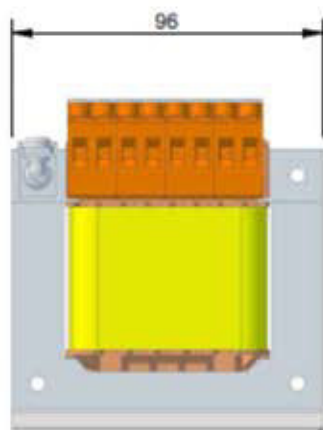
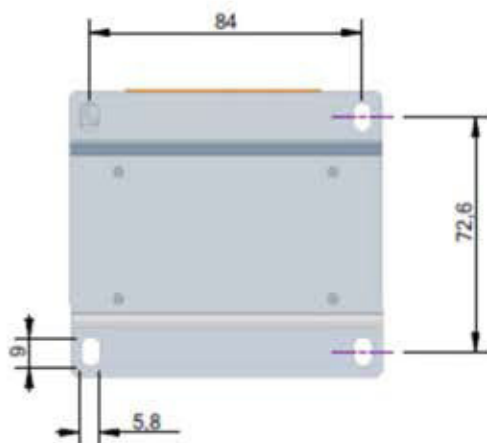


Temperature class: B

$T_a = 40^\circ C$

**Scandinavian
Transformer**

Description: **Autotransformer Input: 230V Output: 80V/100V/125V/150V/170V/190V // 3.8A**



**Scandinavian
Transformer**