

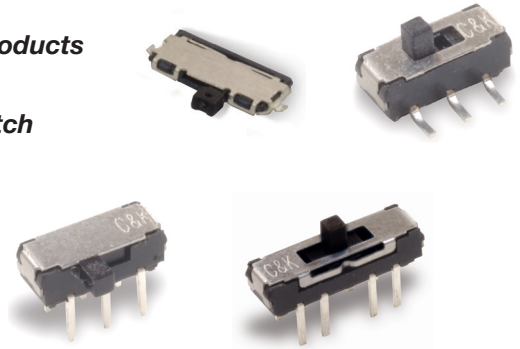
JS Series Sub-Miniature Slide Switches

Features/Benefits

- Positive detent
- Low profile
- IR reflow to 260° solder profile
- Surface and thru hole mounting
- SPDT, DPDT, DP3T models
- RoHS compliant

Typical Applications

- Telecommunication products
- Computer peripherals
- Thermostat select switch
- Instrumentation
- Medical



Specifications

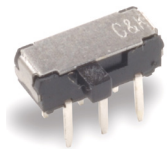
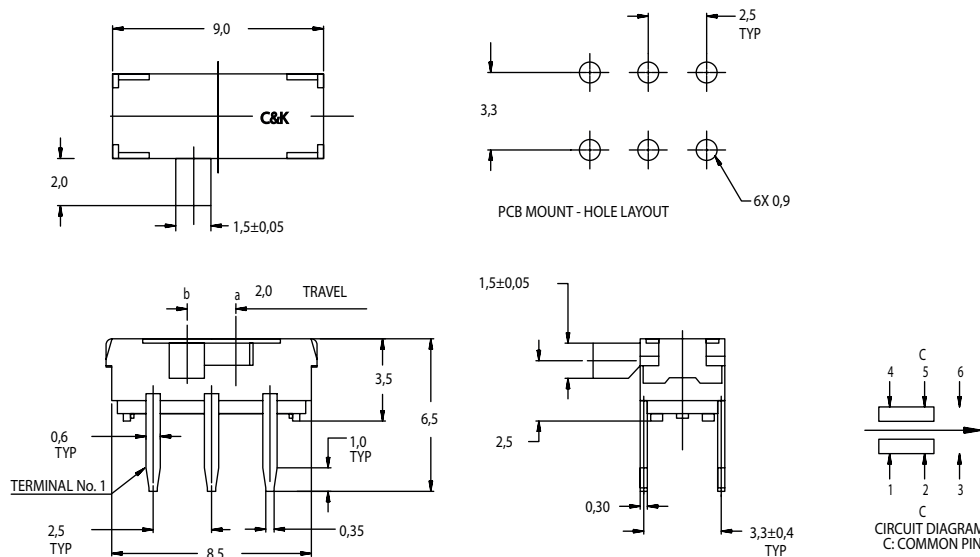
CONTACT RATING: 6 VDC @ 0.3A
 ELECTRICAL LIFE: 5,000 make-and-break cycles
 CONTACT RESISTANCE: 70 m Ω max.
 INSULATION RESISTANCE: 100 M Ω min. @ 500V.
 DIELECTRIC STRENGTH: 500 VAC min. @ sea level.
 OPERATING TEMPERATURE: -40°C to +85°C
 STORAGE TEMPERATURE: -40°C to +85°C

NOTE: Specifications and materials listed above are for switches with standard options.
 For information on specific and custom switches, consult Customer Service Center.

Materials

HOUSING: 4/6 nylon (UL94V-2), black.
 ACTUATOR: 4/6 nylon (UL94V-2), black (some options white).
 CONTACTS: Copper alloy, silver plated.
 TERMINALS: Brass, silver plated

RIGHT ANGLE, PC THRU-HOLE



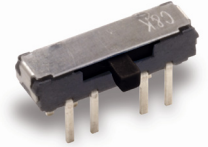
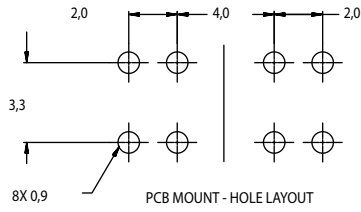
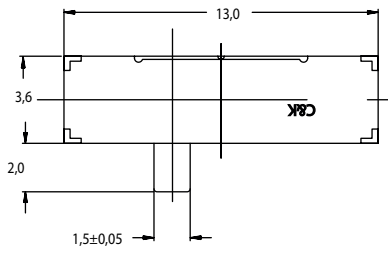
Part Number
JS202011AQN
DPDT

Shown in position b

Shown in position b

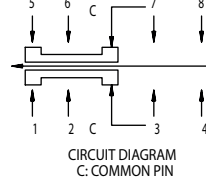
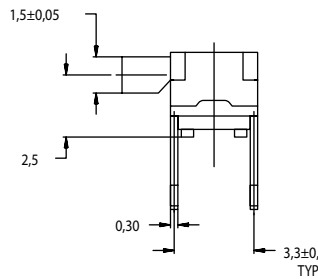
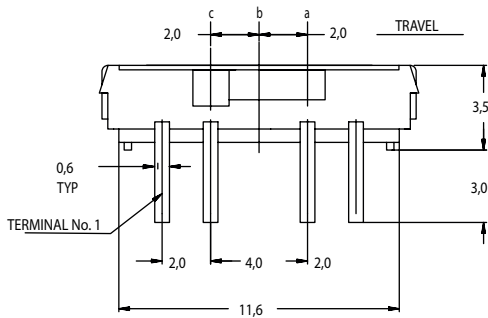
JS Series Sub-Miniature Slide Switches

RIGHT ANGLE, PC THRU-HOLE



Part Number
JS203011AQN
DP3T

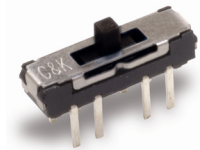
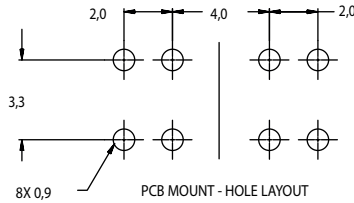
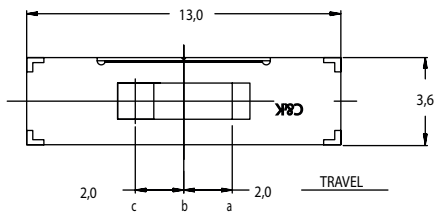
Shown in position b



CIRCUIT DIAGRAM
C: COMMON PIN

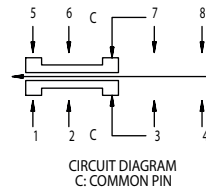
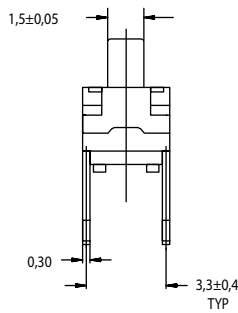
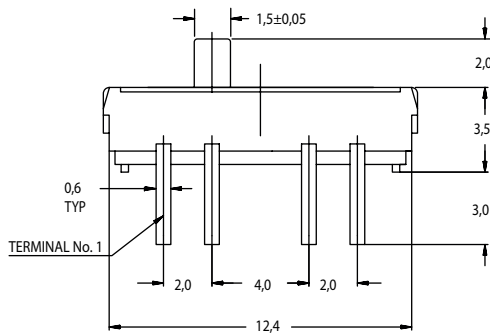
Shown in position c

PC THRU-HOLE



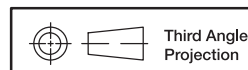
Part Number
JS203011CQN
DP3T

Shown in position b



CIRCUIT DIAGRAM
C: COMMON PIN

Shown in position c



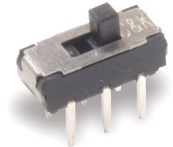
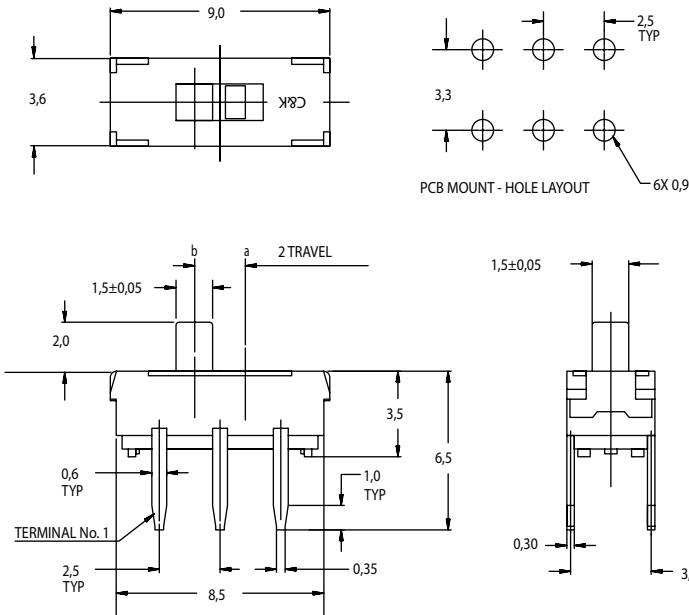
Third Angle
Projection

Dimensions are shown: mm
Specifications and dimensions subject to change

Slide

JS Series Sub-Miniature Slide Switches

PC THRU-HOLE



Part Number
JS202011CQN
DPDT

Shown in position a

Shown in position b

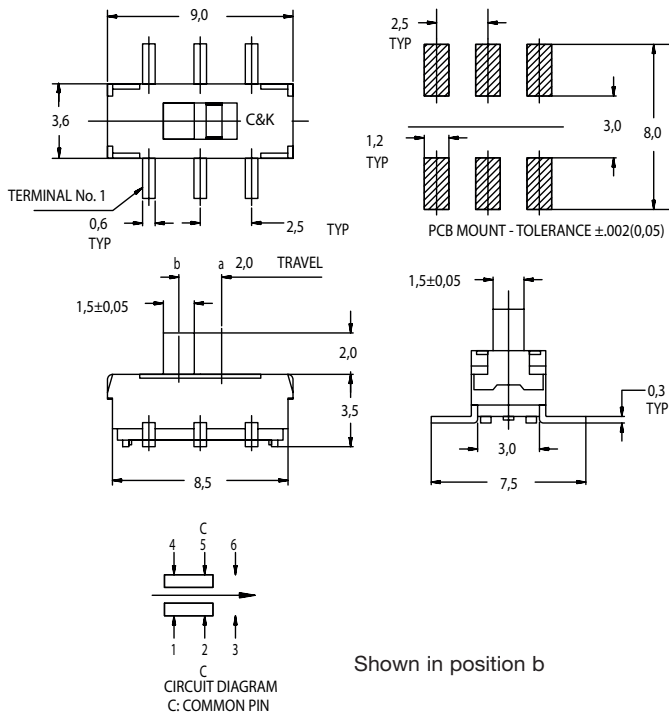


Slide

SURFACE MOUNT

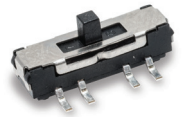
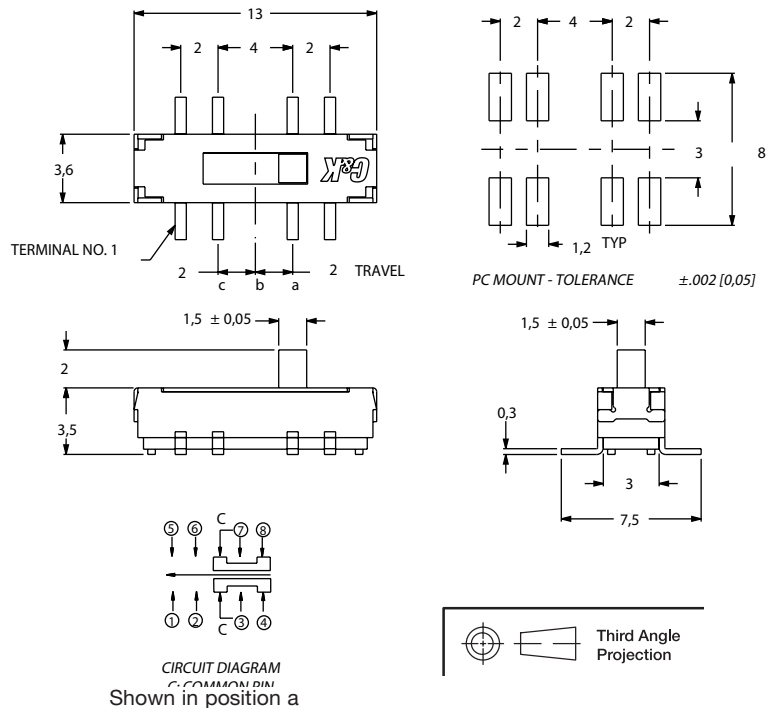
Part number
JS202011SCQN
DPDT

Shown in position b. Quantity per reel 1000
Available in tape & reel only, see page I-58



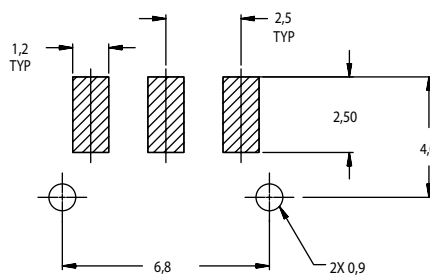
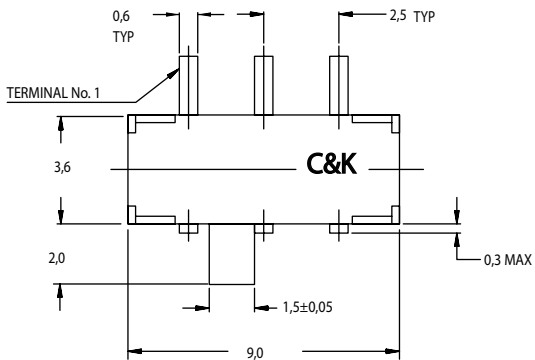
Part number
JS203011SCQN
DP3T

Quantity per reel 900
Available in tape & reel only, see page I-60



JS Series Sub-Miniature Slide Switches

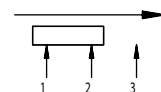
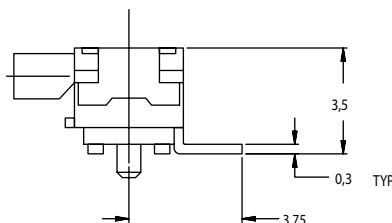
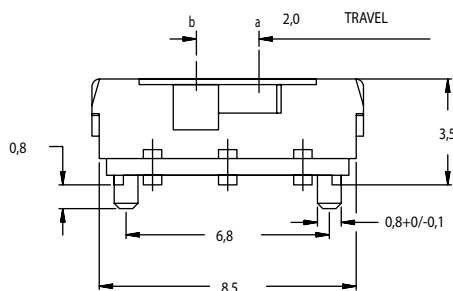
RIGHT ANGLE SURFACE MOUNT



Part Number
JS102011SAQN
SPDT

Shown in position a

Available in tape & reel only, see page I-59

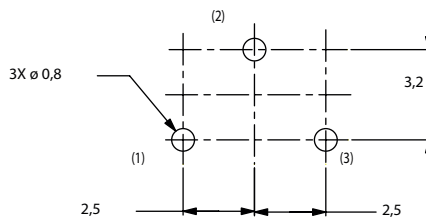
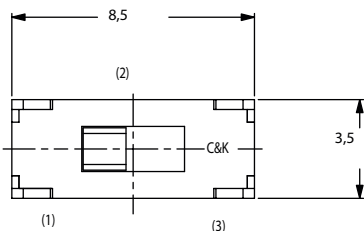


CIRCUIT DIAGRAM
C: COMMON PIN

Shown in position b

Slide

PC THRU-HOLE

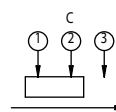
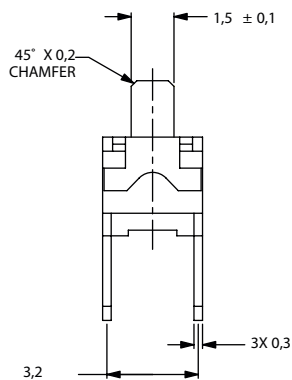
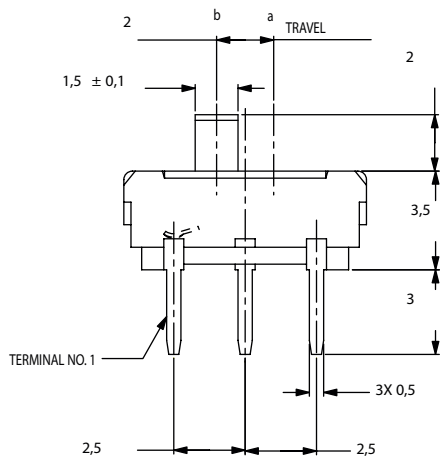


PCB LAYOUT RECOMMENDED



Part Number
JS102011CQN
SPDT

Shown in position a

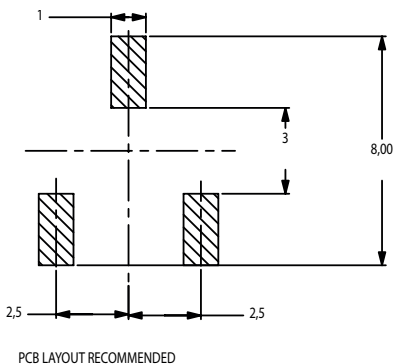
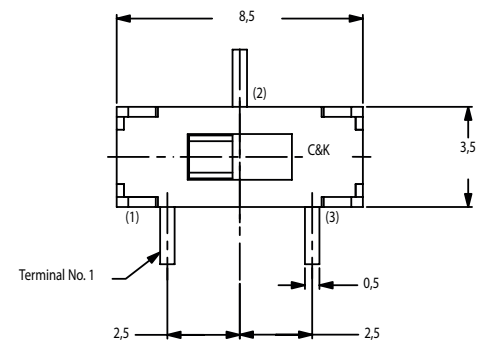


SCHMATIC

Shown in position b

JS Series Sub-Miniature Slide Switches

SURFACE MOUNT



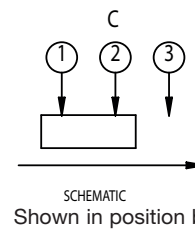
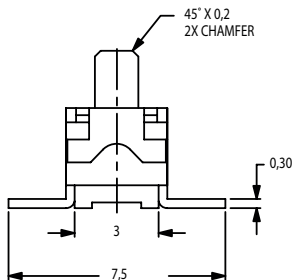
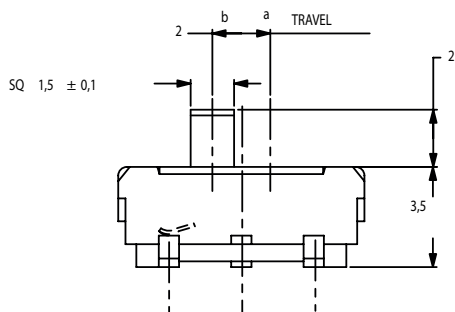
Part Number
JS102011SCQN
SPDT

Shown in position a

Available in tape & reel
only, see page I-59

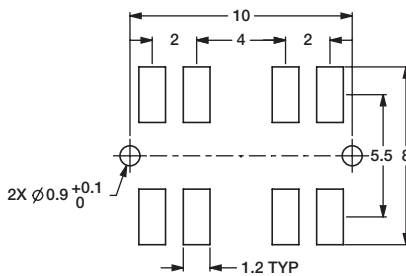
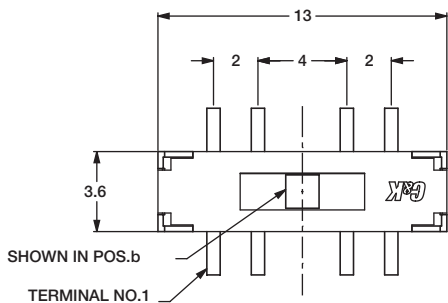


Slide



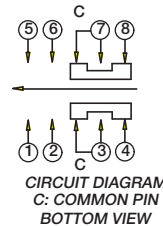
SURFACE MOUNT

NEW



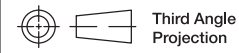
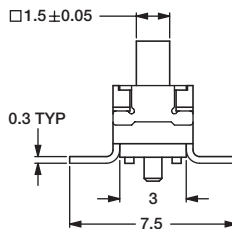
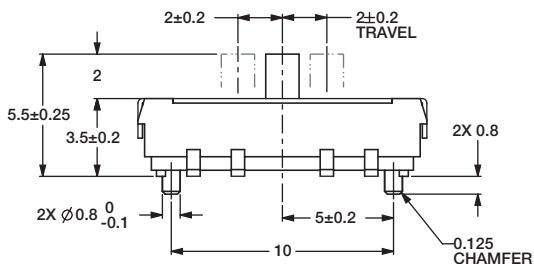
Part Number
JS207011SCQNR
DP3T

Shown in position b



SWITCH FUNCTION		
POS.c	POS.b	POS.a
(MOM)	ON	ON
CONNECTED TERMINALS		
1-3,5-7	2-3,6-7	3-4,7-8

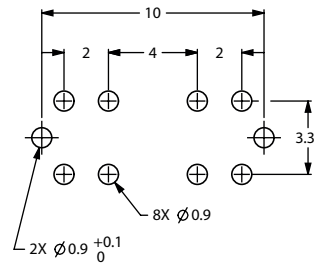
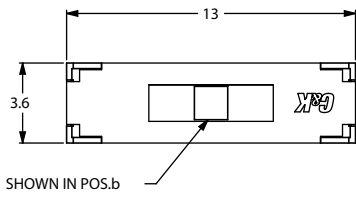
Available in tape & reel
only, see page I-58



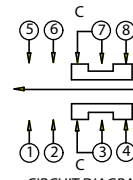
Dimensions are shown: mm
Specifications and dimensions subject to change

JS Series Sub-Miniature Slide Switches

PC THRU-HOLE



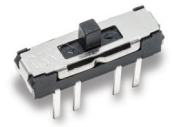
PC MOUNT - TOLERANCE ± 0.05



CIRCUIT DIAGRAM
C: COMMON PIN
BOTTOM VIEW

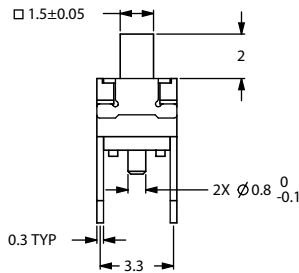
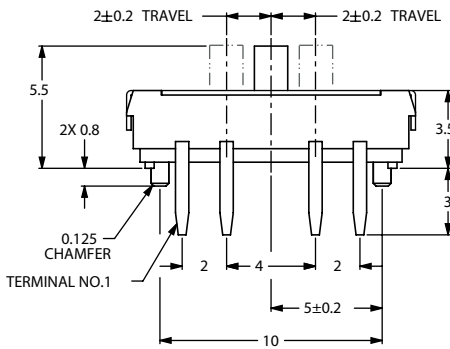
SWITCH FUNCTION		
POS.c	POS.b	POS.a
(MOM)	ON	ON
CONNECTED TERMINALS		
1-3,5-7	2-3,6-7	3-4,7-8

NEW

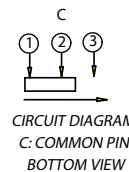
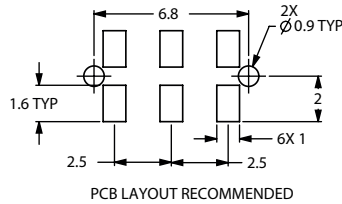
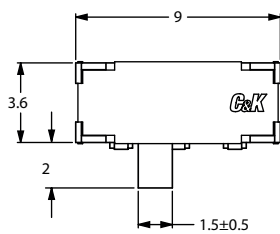


Part Number
JS207011CQNR
DP3T

Shown in position b



RIGHT ANGLE SURFACE MOUNT



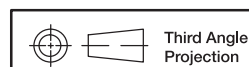
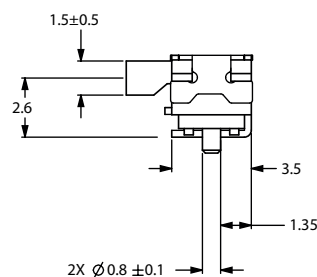
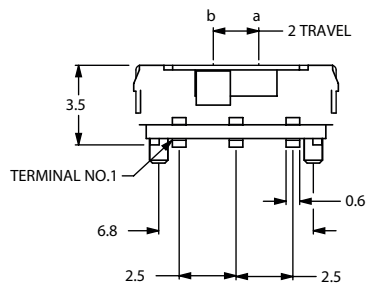
NEW



Part Number
JS102011JAQN
SPDT

Shown in position

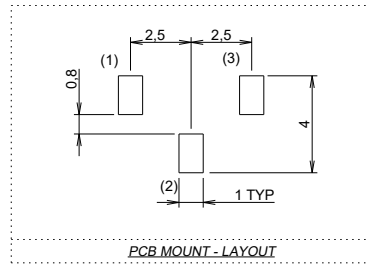
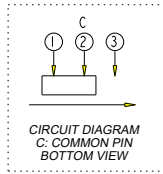
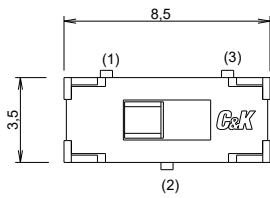
Available in tape & reel
only, see page I-59



Dimensions are shown: mm
Specifications and dimensions subject to change

JS Series Sub-Miniature Slide Switches

VERTICAL MOUNT SMT - J BEND

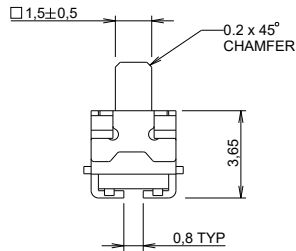
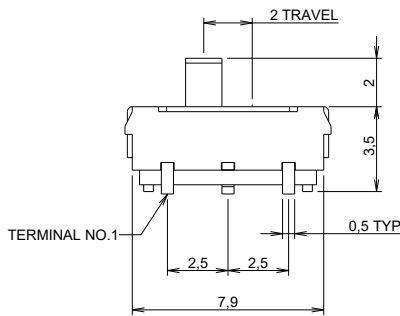


NEW
Part Number
JS102011JCQN
SPDT

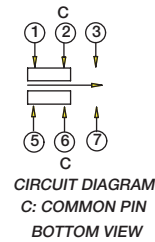
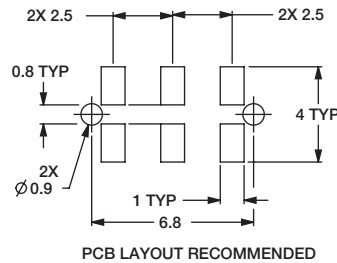
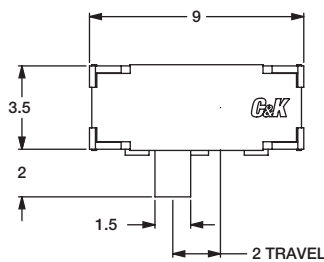
Available in tape & reel
only, see page I-59



Slide



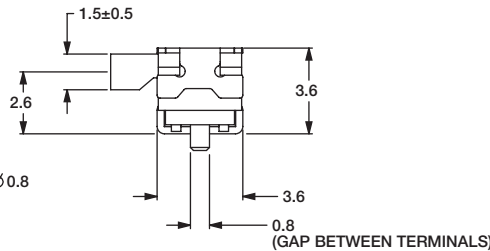
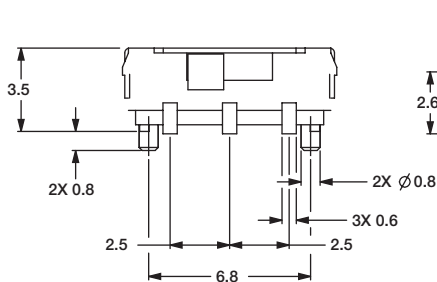
RIGHT ANGLE SURFACE MOUNT



NEW
Part Number
JS202011JAQN
DPDT

Shown in position

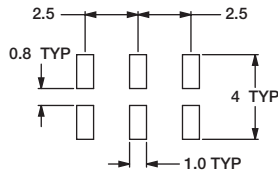
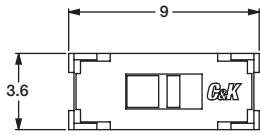
Available in tape & reel
only, see page I-61



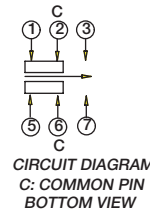
Dimensions are shown: mm
Specifications and dimensions subject to change

JS Series Sub-Miniature Slide Switches

VERTICAL MOUNT SMT - J BEND



PCB LAYOUT RECOMMENDED

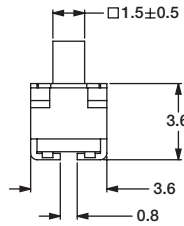
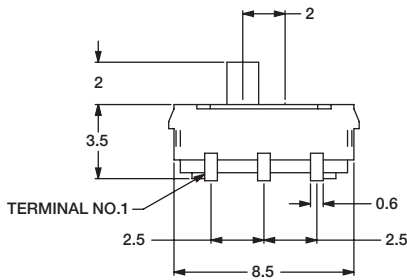


Part Number
JS202011JCQN

DPDT

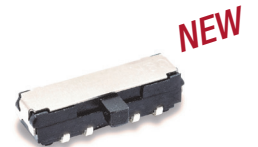
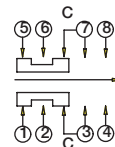
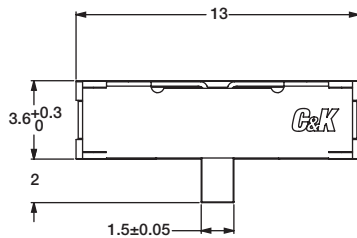
Shown in position

Available in tape & reel
only, see page I-61



Slide

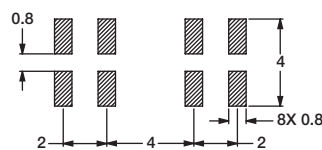
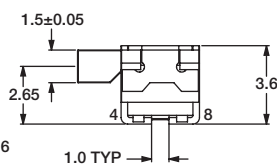
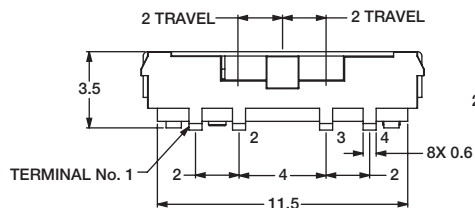
RIGHT ANGLE MOUNT SMT - J BEND



Part Number
JS203011JAQN
DP3T

Shown in position

Available in tape & reel
only, see page I-60



PCB LAYOUT RECOMMENDED

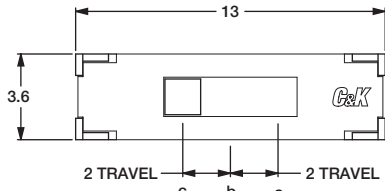


Dimensions are shown: mm
Specifications and dimensions subject to change

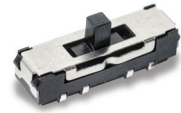
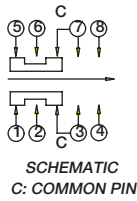
JS Series Sub-Miniature Slide Switches

NEW

VERTICAL MOUNT SMT - J BEND

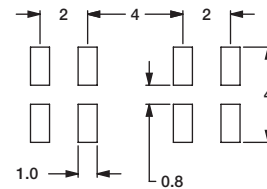
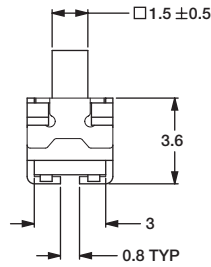
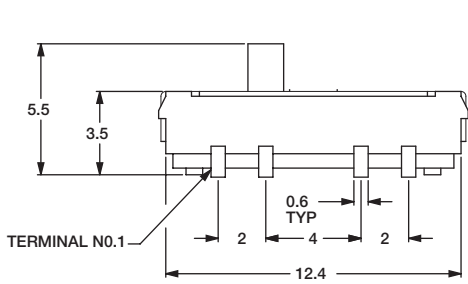


Shown in position c



Part Number
JS203011JCQN
DP3T

Shown in position b
Available in tape & reel
only, see page I-60



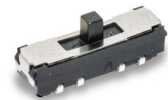
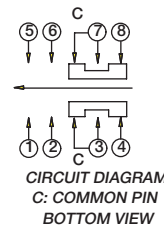
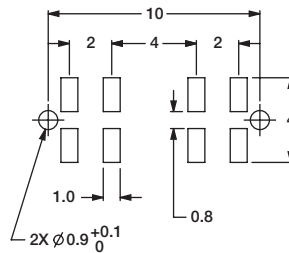
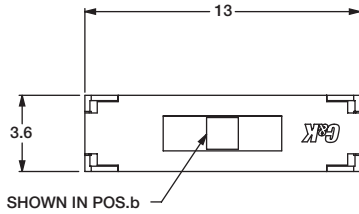
PCB LAYOUT RECOMMENDED



Slide

SURFACE MOUNT - J BEND

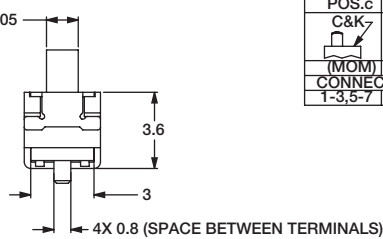
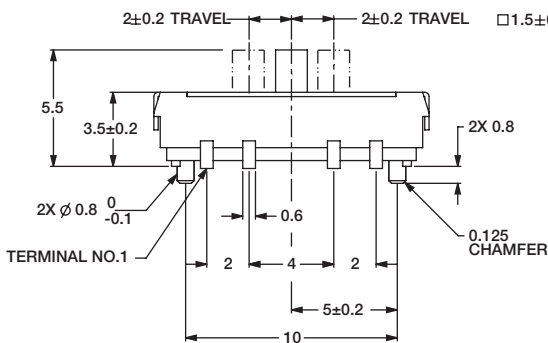
NEW



Part Number
JS207011JCQNR
DP3T

Available in tape & reel
only, see page I-58

PC MOUNT - TOLERANCE ±.05



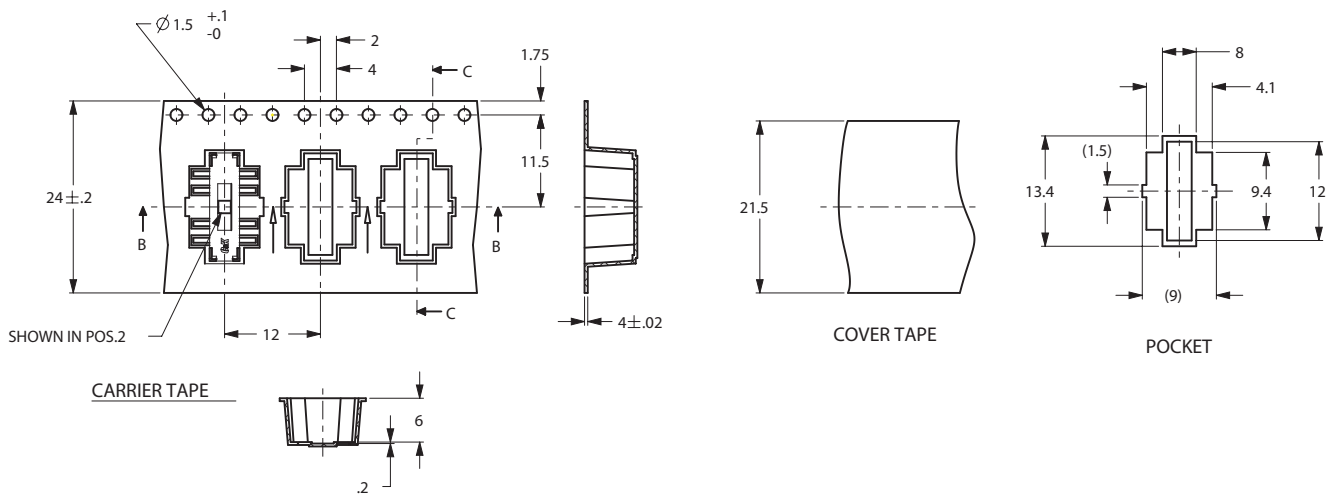
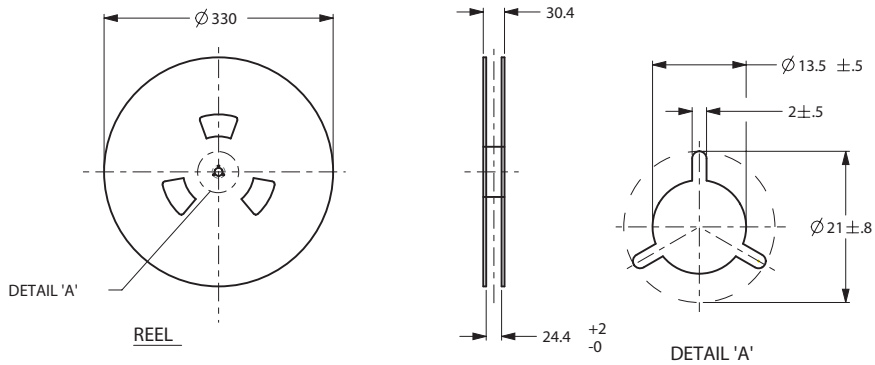
SWITCH FUNCTION		
POS.c	POS.b	POS.a
(MOM)	ON	ON
CONNECTED TERMINALS		
1-3,5-7	2-3,6-7	3-4,7-8

JS Series Sub-Miniature Slide Switches

TAPE AND REEL FOR PART NUMBER JS207011SCQNR, JS207011JCQNR

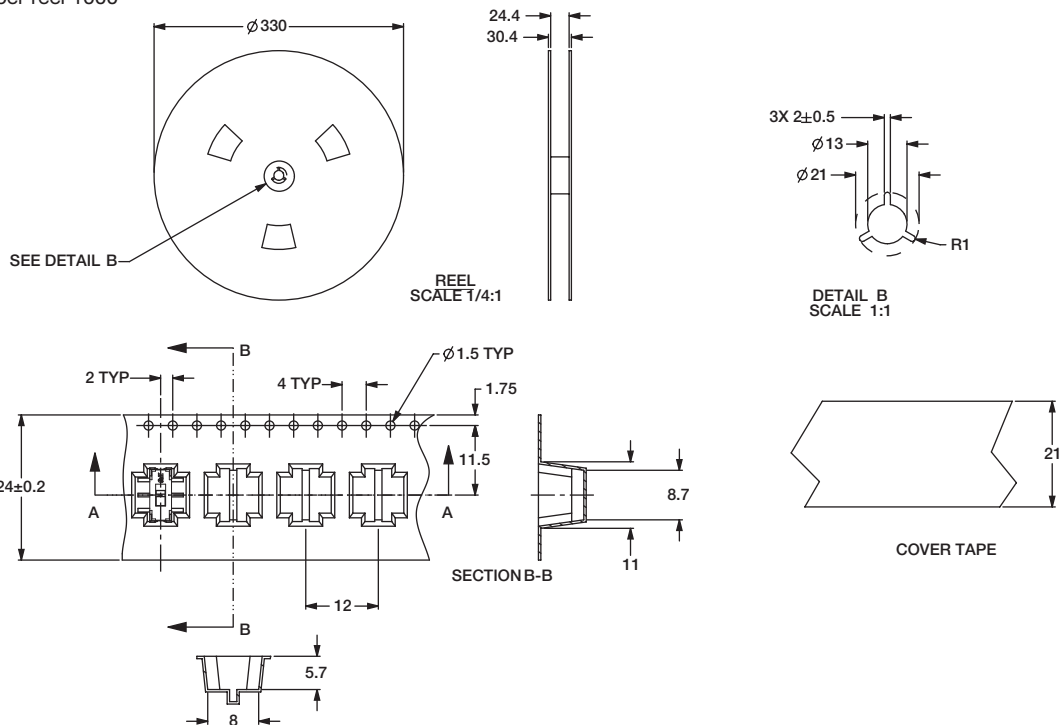
Quantity per reel 800

PACKING DETAIL 800 PCS



TAPE AND REEL FOR PART NUMBER JS202011SCQN

Quantity per reel 1000

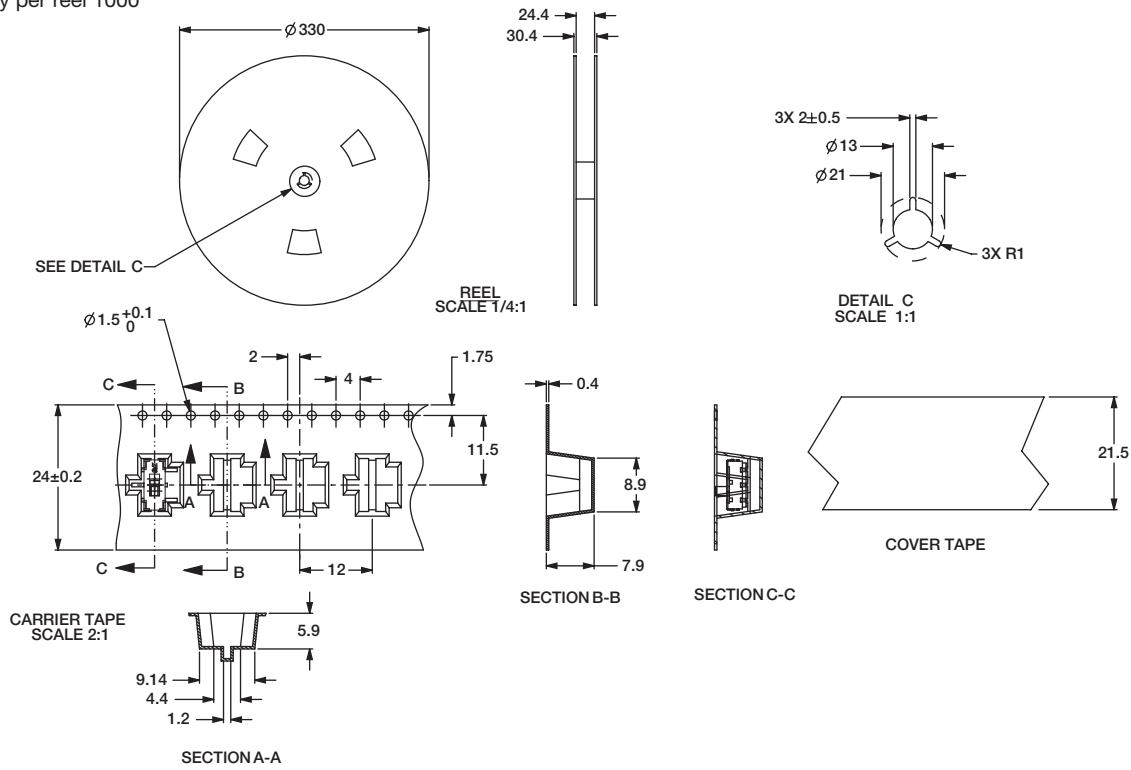


Slide

JS Series Sub-Miniature Slide Switches

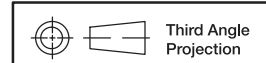
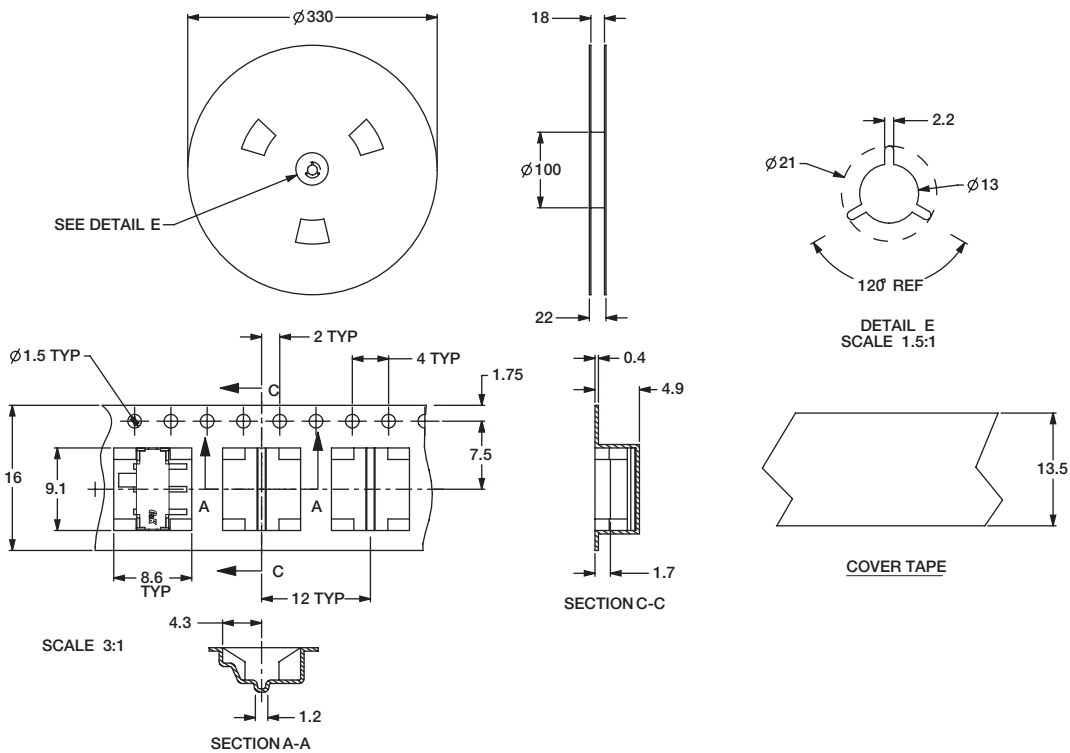
**TAPE AND REEL FOR
PART NUMBER JS102011SCQN, JS102011JCQN**

Quantity per reel 1000



TAPE AND REEL FOR PART NUMBER JS102011SAQN, JS102011JAQN

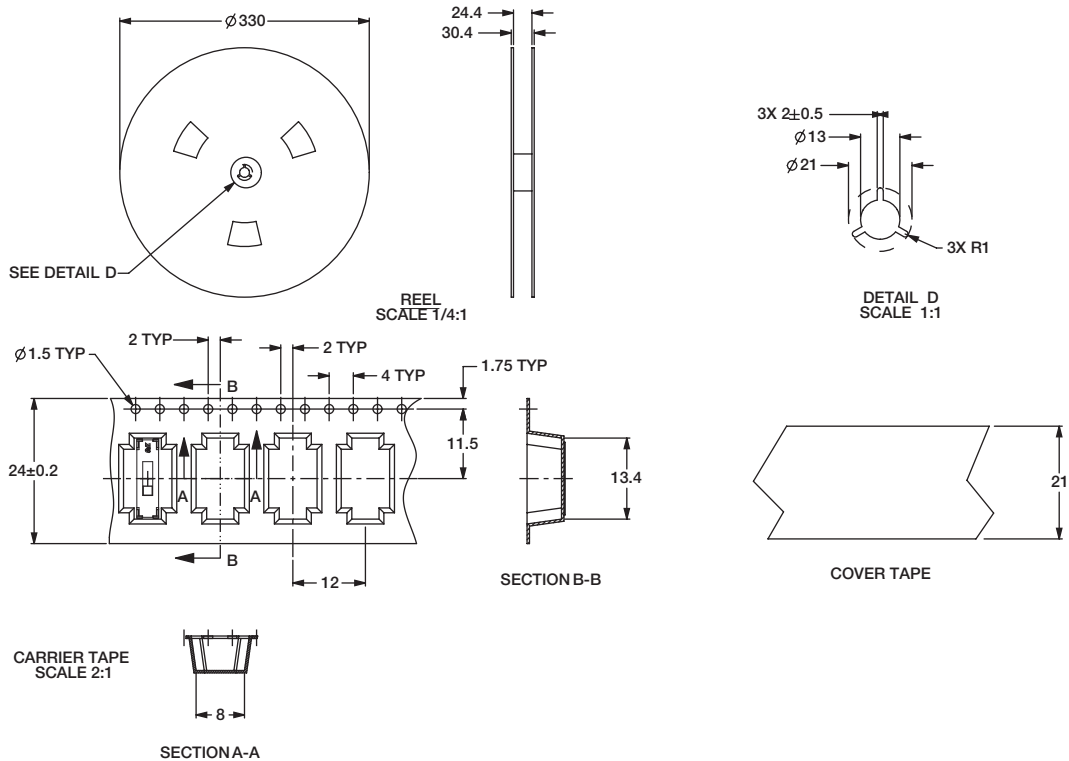
Quantity per reel 1000



Dimensions are shown: mm
Specifications and dimensions subject to change

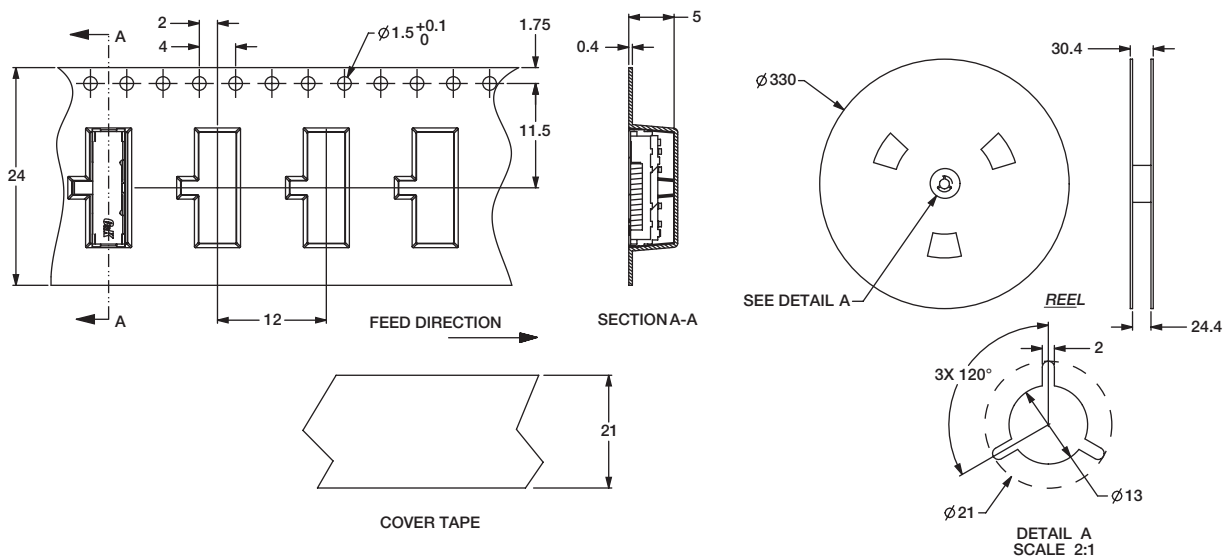
JS Series Sub-Miniature Slide Switches

TAPE AND REEL FOR PART NUMBER JS203011SCQN, JS203011JCQN
Quantity per reel 900



TAPE AND REEL FOR PART NUMBER JS203011JAQN

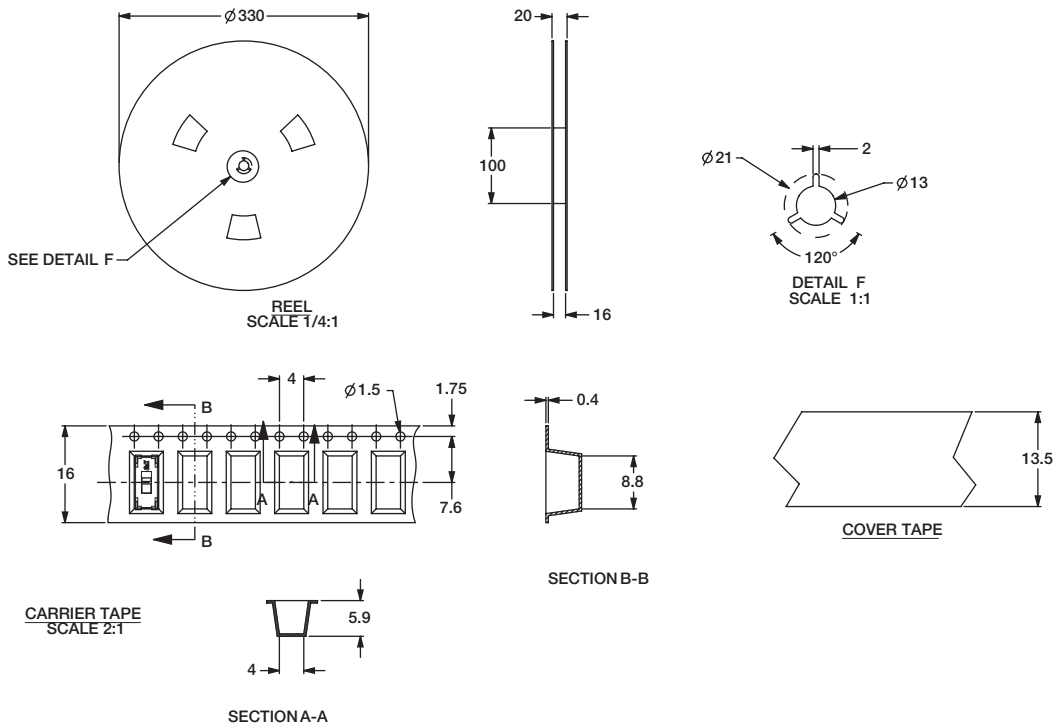
Quantity per reel 1000



JS Series Sub-Miniature Slide Switches

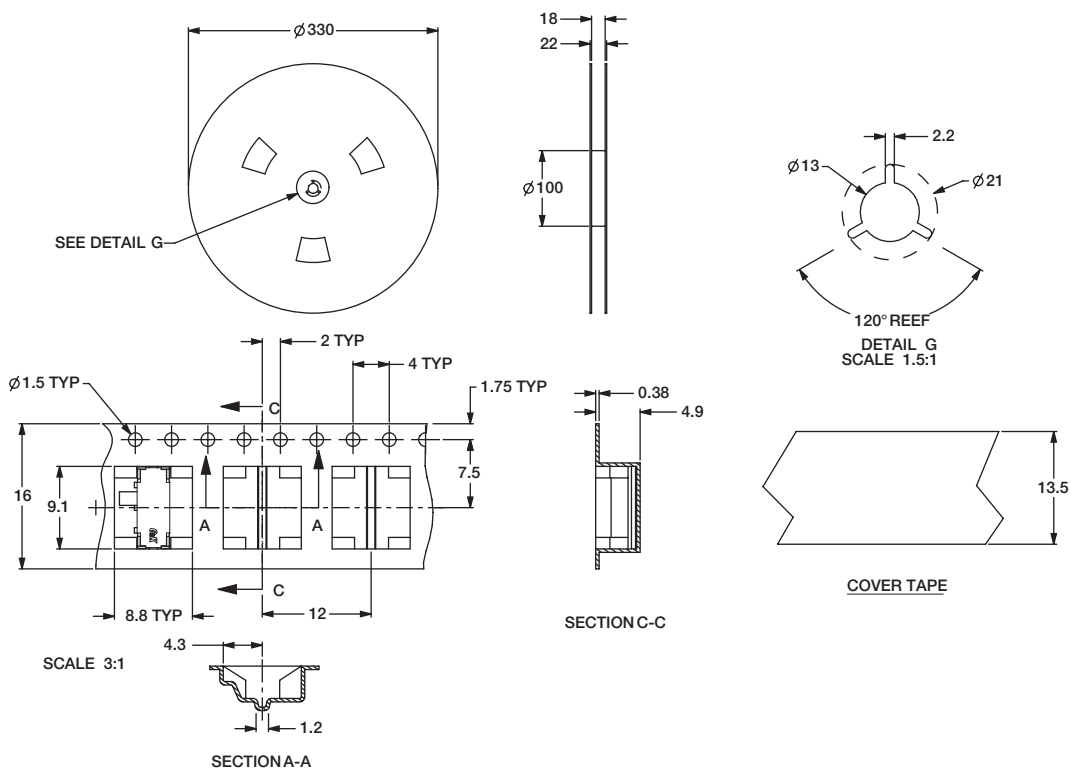
TAPE AND REEL FOR PART NUMBER JS202011JCQN

Quantity per reel 1300



TAPE AND REEL FOR PART NUMBER JS202011JAQN

Quantity per reel 1000



JS Series Sub-Miniature Slide Switches

RIGHT ANGLE SURFACE MOUNT

LOW PROFILE .028±.004 (0.7±0.1) HIGH



Part Number
JS102000SAQN
SPDT

Specifications

CONTACT RATING: 5 VDC @ 1mA

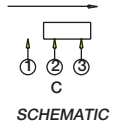
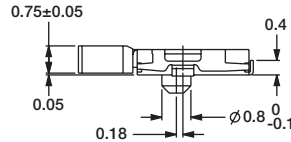
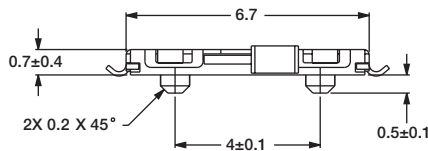
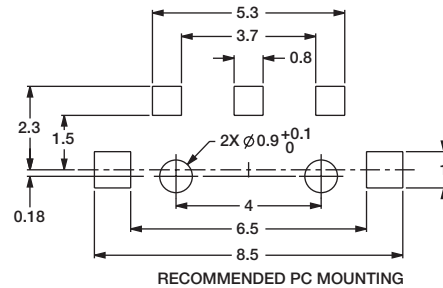
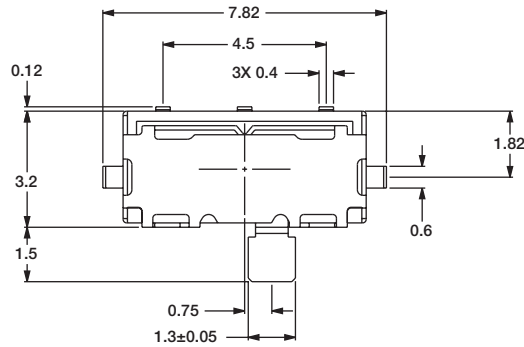
ELECTRICAL LIFE: 15,000 cycles.

CONTACT RESISTANCE: <100 m ohms (initial) <200 m ohms (after processing).

INSULATION RESISTANCE: 100 m ohms @500 VDC.

DIELECTRIC STRENGTH: 250 VAC.

OPERATING TEMPERATURE: -40°C to +85°C



TAPE AND REEL FOR PART NUMBER JS102000SAQN

Quantity per reel 4000

