

M5StickC Plus2 with Watch Accessories

SKU:K016-H2



Description

M5StickC Plus2 with Watch Accessories is a watch kit that includes an M5StickC Plus2, a wristband, a LEGO-compatible adapter, and a wall-mounting accessory. In addition to displaying time, it can also be used for applications such as sports activity monitoring and smart home control. When combined with the M5Stack HAT hardware ecosystem, it offers even more possibilities for smart wearable devices.

There is no doubt about the powerful capabilities of the **M5StickC Plus2**. As the second generation of M5StickC Plus2, M5StickC Plus2 is equipped with a 240*135 color LCD screen, ESP32-PICO-V3-02 chip, MPU6886 6-axis IMU, SPM1423 digital microphone, BM8563 RTC chip, and IR emitter.

The HY2.0-4P interface at the bottom of the M5StickC Plus2 allows for connection to M5Stack's sensor series products, enabling customization of various functions. The [8P@2.54mm](#) expansion interface on the top can be directly connected with M5Stack HAT series products, providing

users with more development possibilities.

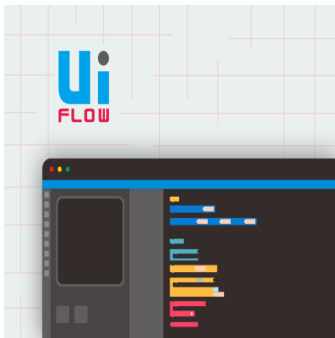
Power on:

Wake up can be started by pressing "BUTTON C" for more than 2 seconds, or IRQ signal triggered by RTC regularly. After triggering the wake up signal, the hold(G4) pin needs to be set to a high level (1) in program initialization to maintain the power supply, otherwise the device will enter the shutdown state again.

Power off:

When no USB external power supply is available, press BUTTON C for more than 6 seconds. Or when there is no USB external power supply, set HOLD(GPIO4)=0 in the program operation, that is, to achieve power off. When the USB is connected, press the "BUTTON C" button for more than 6 seconds to turn off the screen and enter the hibernation state, but not power off.

Tutorial



UIFlow

This tutorial will show you how to control M5StickC PLUS2 devices through the UIFlow graphical programming platform



Arduino IDE

This tutorial will show you how to program and control M5StickC PLUS2 devices through Arduino IDE

Features

- Customization Supports custom display
- 200mAh battery
- Light and portable

Includes

- 1x M5StickC PLUS2
- 1x LEGO adapter
- 1x Wall/1515
- 1x Watch band
- 1x Type-C USB(50cm)

Applications

- Smart Watch

Specification

Resources	Parameters
ESP32	ESP32-PICO-V3-02 240MHz dual core,support wifi,2 MB SPI PSRAM,8 MB SPI flash
PSRAM	2 MB PSRAM

FUNCTION	EMBEDDED FUNCTION
Flash	8 MB flash
Power Input	5V @ 500mA
Port	TypeC x 1, GROVE(I2C+I/O+UART) x 1
LCD screen	1.14 inch, 135*240 Colorful TFT LCD, ST7789v2
Button	Custom button x 3
Power indicator LED	GREEN LED(non-programmable)
MEMS	MPU6886
Buzzer	built-in buzzer
MIC	SPM1423
RTC	BM8563
Battery	200mAh @ 3.7V
Antenna	2.4G 3D Antenna
PIN port	G0, G25/G36, G26, G32, G33

Operating Temperature	0°C to 40°C
Strap size and weight	230*22*6mm / 12.3g
Product Size	48*25*12mm

Product Size	48 25 15mm
Package Size	124*67*23mm
Product Weight	17g
Package Weight	71.8g



Driver Installation

Click the link below to download the driver that matches the operating system. There are currently two driver chip versions, CP34X (for CH9102) driver compressed package. After decompressing the compressed package, select the installation package corresponding to the number of operating systems to install. If the program cannot be downloaded normally (the prompt is overtime or Failed to write to target RAM), you can try to reinstall the device driver.

Driver name	Applicable driver chip	Download link
CH9102_VCP_SER_Windows	CH9102	Download

EasyLoader

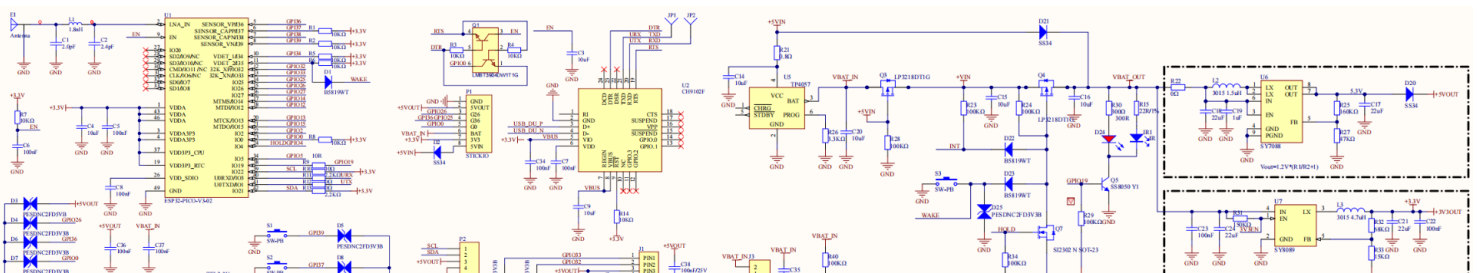
EasyLoader is a concise and fast program writer, which has a built-in case program related to the product. It can be burned to the main control by simple steps to perform a series of function verification.

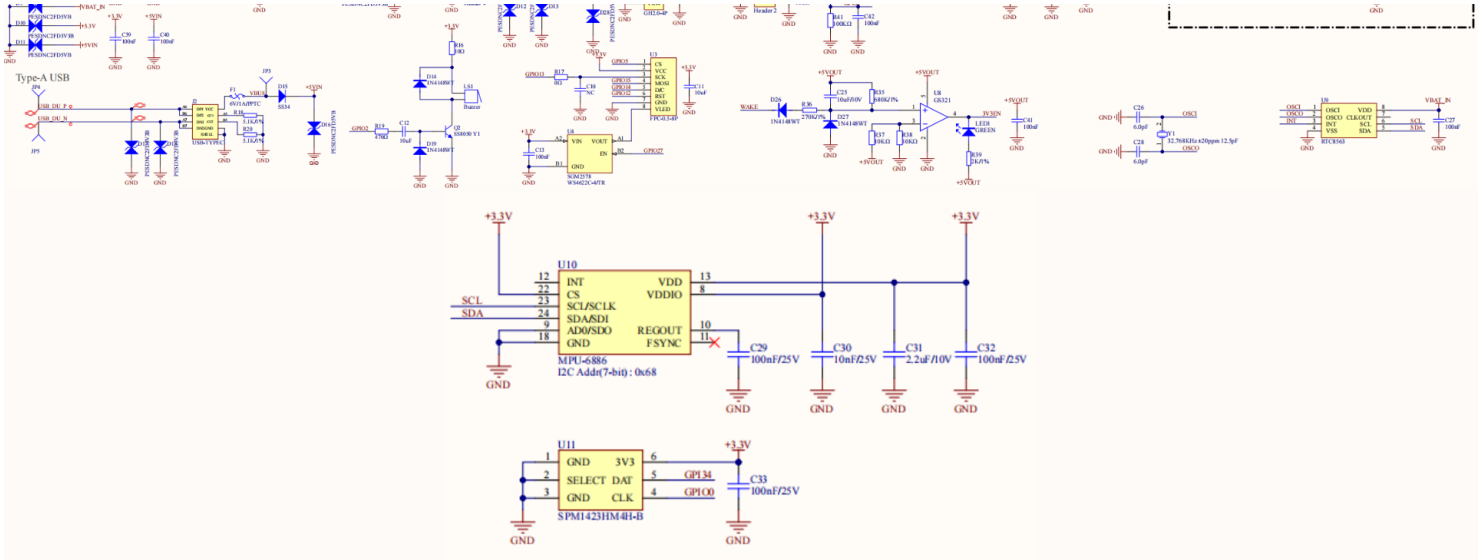
[Download Windows Version Easyloader](#)

Related Link

- [ESP32-PICO-V3-02](#)
- [ST7789v2](#)
- [BM8563](#)
- [MPU6886](#)
- [SPM1423](#)

Schematic





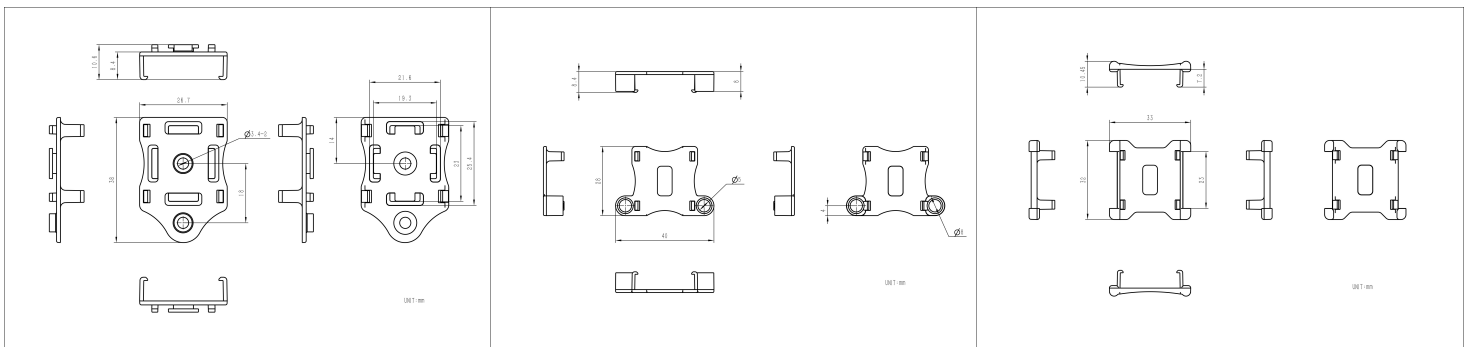
- o [Schematic download](#)

Examples

Arduino

- o [M5StickC_PLUS2 Library](#)
- o [M5StickC_PLUS2 Factory Test Firmware](#)

Module Size



| Video

- M5StickC PLUS2 features

[StackC Plus2 视频.mp4](#)