



# Rugged Keypad 6 Pushbutton (Hardwired). Series 09.

Thank you for your order of the Series 09 Rugged Keypad!

#### Order numbers

K09-00.000007(12V), K09-00.000009(24V)

#### The delivery scope contains

1	Rugged Keypad 6 pushbuttons Hardwired with integrated symbol inserts (number 1 to 6)	1pc
2	Retaining clips for 2mm panel	6pc
3	Rubber washer 4.8 x 15 x 1	12pcs
4	Washers DIN 9021 stainless A2	4pcs
5	Nuts	4pcs
6	Coupler	1pc

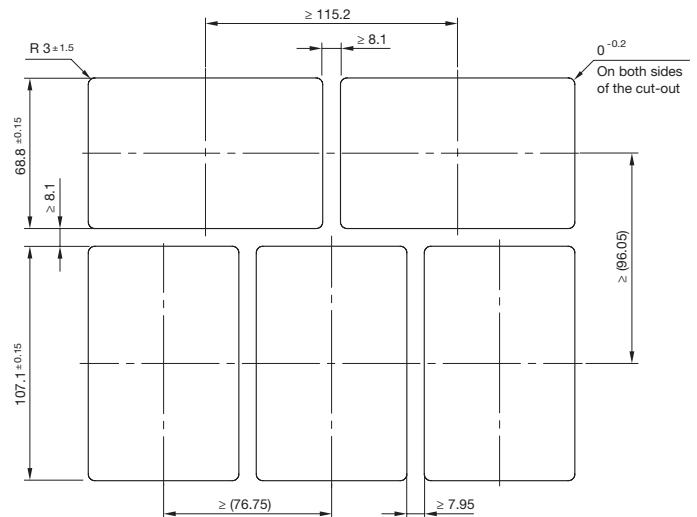
Further information is available at  
[www.eao.com/09-keypads](http://www.eao.com/09-keypads)



#### Mounting cut-out

Mounting cut-out 107.0mm x 69.0mm

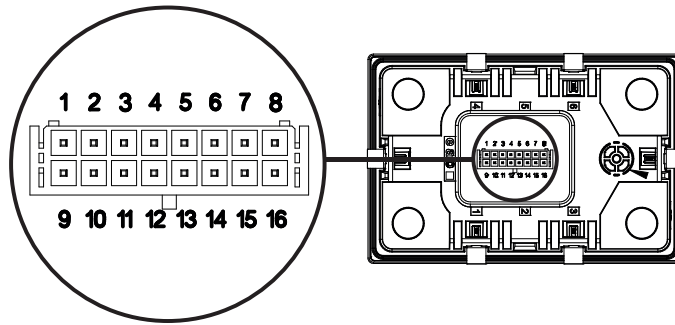
Panel thickness 1.0mm ... 4.0mm



### Connector type

#### Connections WR-MPC3 16

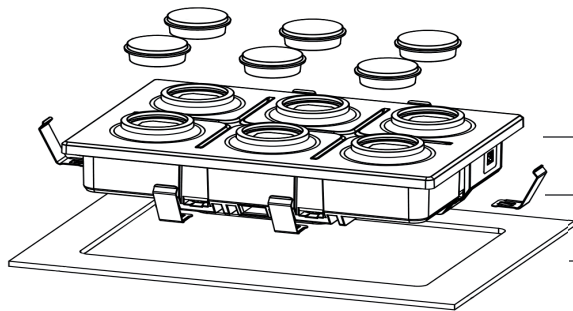
- Mating plug Wuerth 662 016 113 322
- Pin out
  - Pin 1 supply voltage haloring button 1
  - Pin 2 supply voltage haloring button 2
  - Pin 3 supply voltage haloring button 3
  - Pin 4 supply voltage haloring button 4
  - Pin 5 supply voltage haloring button 5
  - Pin 6 supply voltage haloring button 6
  - Pin 7 Supply voltage symbol lighting
  - Pin 8 GND lighting
  - Pin 9 GND lighting
  - Pin 10 common potential buttons
  - Pin 11 signal button 1
  - Pin 12 signal button 2
  - Pin 13 signal button 3
  - Pin 14 signal button 4
  - Pin 15 signal button 5
  - Pin 16 signal button 6



The circuit diagrams can be found in the provided data package.

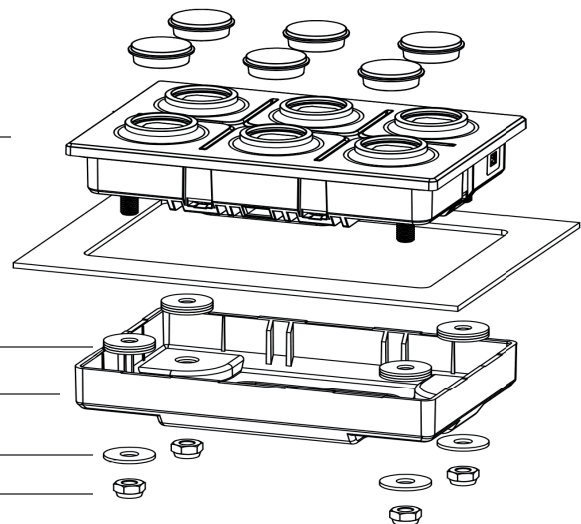
### Mounting instruction

#### Clip-in version



#### Screw-in version

1  
2  
Panel\*



\* Customer-specific application.

### Safety notice!

The Series 09 Rugged Keypad 6 pushbutton (CANopen) can also be used for safety-relevant applications. Thanks to the diagnostic capability through resistance coding (Namur Circuit as optional option), cable breaks and switching states can be detected.

The customer must ensure the functional and product safety conformity of the integration of the keypad. Therefore, the customer must perform all security activities at the integration level of the switch and confirm that all relevant functions are implemented to ensure that the application handles critical issues in a secure manner.