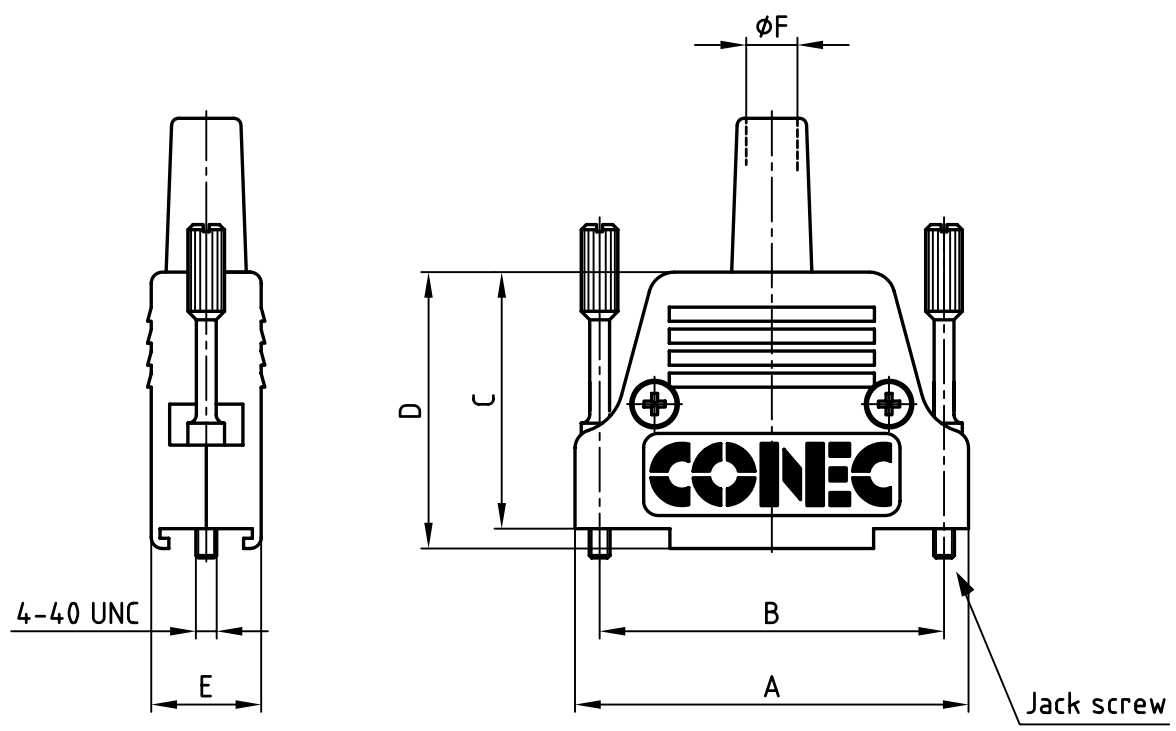


used for: D-SUB



No. of pos.	A	B	C	D	E	ØF	Part NO.
9	31.7	25.0	30.0	32.7	15.0	5.0	165X17309X
15	40.0	33.3	32.0	34.7	15.0	5.0	165X17319X
25	53.7	47.0	35.0	37.7	15.0	7.0	165X17329X
37	70.2	63.5	41.0	43.7	15.0	7.0	165X17339X
50	67.8	61.1	41.0	43.7	17.7	9.3	165X17349X

Directive 2002/95/EC  
„RoHS“  
Compliant

THIS DRAWING MAY NOT BE COPIED OR REPRODUCED IN ANY WAY, AND MAY NOT BE PASSED ON TO A THIRD PARTY WITHOUT WRITTEN PERMISSION.  
 OWNERSHIP AND COPYRIGHT OF CONEC GmbH  
 DO NOT ALTER CAD DRAWING BY HAND

CONEC CORPORATION BRAMPTON, ONTARIO		
2002	date	name
drawn	30.01.	Parei
appd.	30.01.	E. Mickenbecker
norm		
d-old		
rev.	description	date name

tolerance

scale: 1:1

material:

title:  
**FULL METAL HOOD**  
 9-50pos. with straight cable exit  
 with jack screws

dwg no: AutoCAD 2000

**CONEC®**

part no: SEE TABLE

DIN-A	4
sh: 1/1	

