



## FG CLAMP / FGC

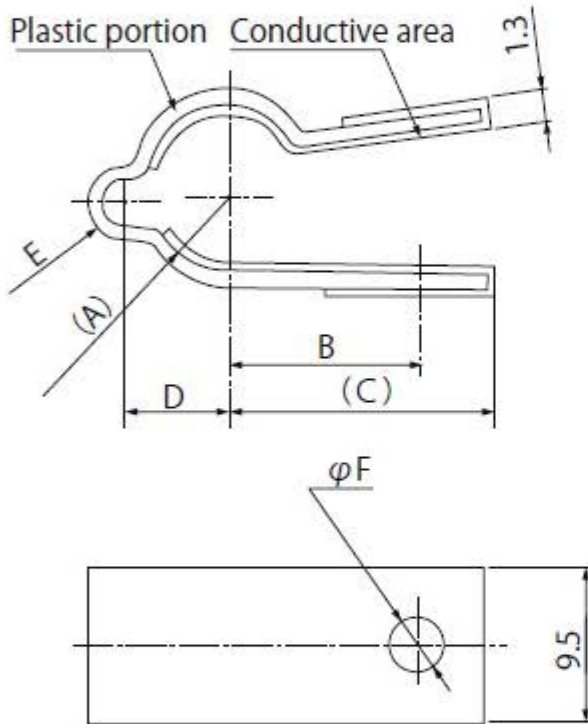
Plastic fastening and reliable copper foil grounding is provided simultaneously.

### Features

- Plastic body enables conductive layer to fit the cable and provides stable effectivity.
- Conductive area employs highly reliable copper foil.
- Plastic materials prevent the clamp from damaging the cable.

### Material

- Plastic portion / Nylon 66 (light gray / UL94V-0)
- Conductive area / Copper foil



### ■ M3 screw assembly type

Unit : mm

Part No.	(A)	B	(C)	D	E	F	Applicable cable diameter
FGC-3	R1.8	9.5	13.5	3.0	R1.5	φ 3.2	φ 2.7~φ 3.5
FGC-5	R3.0	10.7	14.7	4.3	R2.0		φ 5.0~φ 5.5
FGC-8	R4.8	12.5	16.6	6.5	R2.3		φ 8.2~φ 9.0

### ■ M4 screw assembly type

Unit : mm

Part No.	(A)	B	(C)	D	E	F	Applicable cable diameter
FGC-3 M4	R1.8	9.5	13.5	3.0	R1.5	φ 4.2	φ 2.7~φ 3.5
FGC-5 M4	R3.0	10.7	14.7	4.3	R2.0		φ 5.0~φ 5.5
FGC-8 M4	R4.8	12.5	16.6	6.5	R2.3		φ 8.2~φ 9.0