


# LB/LBW series Maintenance Parts

## Maintenance Parts

### LB Series Maintenance LED Unit


Package Quantity: 1

Shape	Rated Operating Voltage	Part No. (Ordering No.)	* Color Code
	5V DC	<b>LB9Z-LED5*</b>	A: Amber G: Green PW: Pure White R: Red S: Blue W: White
	12V AC/DC	<b>LB9Z-LED1*</b>	
	24V AC/DC	<b>LB9Z-LED2*</b>	

- All LB/LBW series contain an LED unit.
- Use a pure white (PW) LED unit for yellow (Y) illumination.

## Transformer

Package Quantity: 1

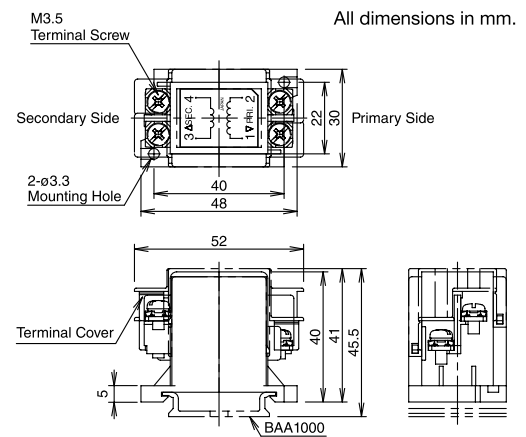
Transformer	Primary Voltage	Secondary Voltage	Part No. (Ordering No.)	Applicable Load
	AC100/110V	100/110V AC ±10%	<b>TWR512</b>	LB9Z-LED2* (24V AC/DC LED unit)
	AC200/220V	200/220V AC ±10%	<b>TWR522</b>	
	AC400/440V	400/440V AC±10%	<b>TWR542</b>	

- Terminal cover (TWR-VL3) is supplied as standard.
- Connect one LB9Z-LED2\* to a transformer.

### Specifications

Part No.	TWR5□2
Operating Voltage	100/110V AC, 200/220V AC, 400/440V AC (50/60Hz)
Current Draw	2.4VA
Rated Insulation Voltage	600V
Insulation Resistance	100 MΩ minimum (500V DC megger)
Operating Temperature	-30 to +60°C (no freezing)
Storage Temperature	-40 to +80°C (no freezing)
Operating Humidity	35 to 85% RH (no condensation)
Vibration Resistance	Damage Limits: 30 Hz, amplitude 1.5 mm Operating extremes: 5 to 55 Hz, amplitude 0.5 mm
Shock Resistance	Damage limits: 1,000 m/s <sup>2</sup> Operating Extremes: 100 m/s <sup>2</sup>
Dielectric Strength	2,500V AC, 1 minute
Terminal Screw	M3.5
Applicable Wire	2 mm <sup>2</sup> maximum, 2 wires maximum
Weight (approx.)	87g

### Dimensions

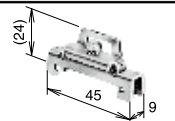
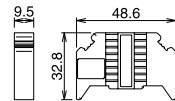


### Accessories

#### 35mm DIN Rail

Part No.	Ordering No.	Length	Material	Package Quantity
<b>BAA1000</b>	<b>BAA1000PN10</b>	1,000mm	Aluminum (approx. 200g)	10
<b>BAP1000</b>	<b>BAP1000PN10</b>	1,000mm	Steel (approx. 320g)	10

#### End Clip

Part No.	Ordering No.	Applicable DIN Rail	Package Quantity	Dimensions
<b>BNL6</b>	<b>BNL6PN10</b>	BAA1000 BAP1000	10	 <p>Approx. 15g Steel (Zinc-plated)</p>
<b>BC9Z-E/NS35N</b>	<b>BC9Z-E/NS35NPN10</b>	BAA1000 BAP1000	10	 <p>Approx. 15g</p>