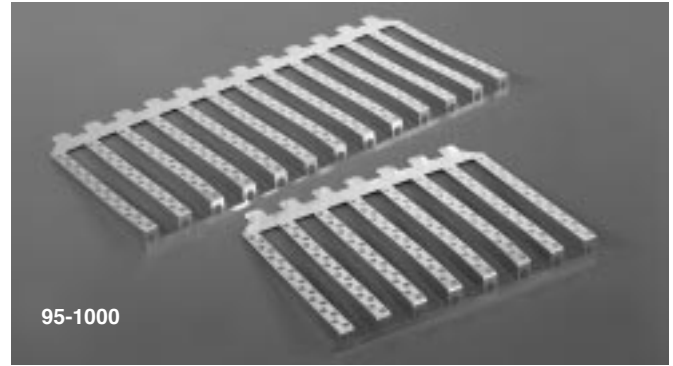
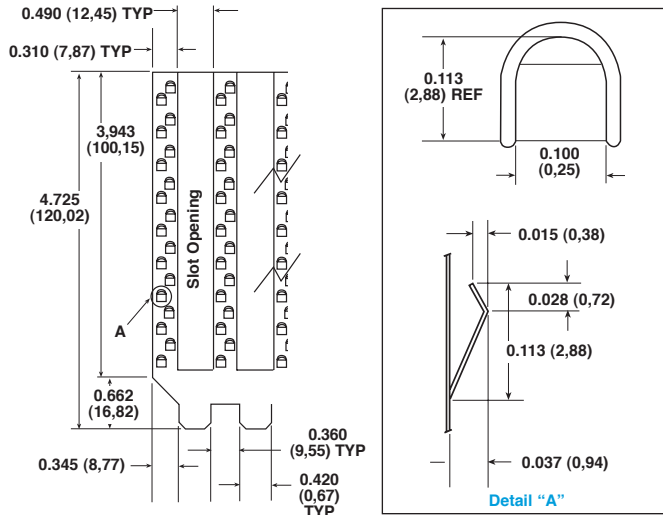


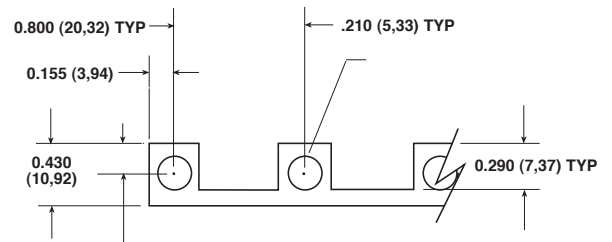


## Metal Connector Shields Stainless Steel I/O Shielding

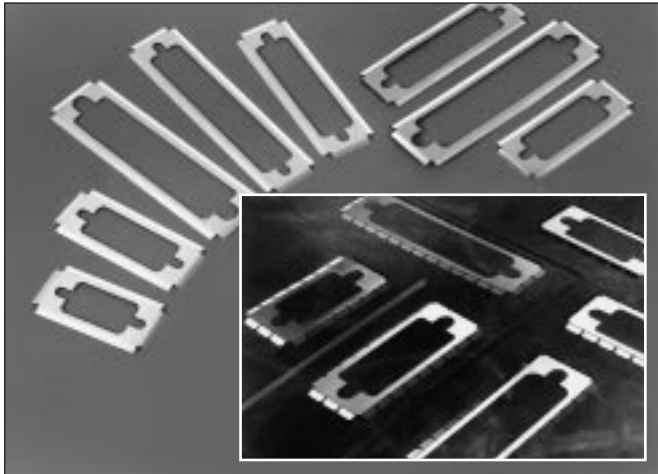
- Provides a single-piece solution to shield multiple connector slots in equipment backplanes
- Available in 1 to 21 slot configurations with customized versions readily provided
- Contact fingers provide excellent grounding path



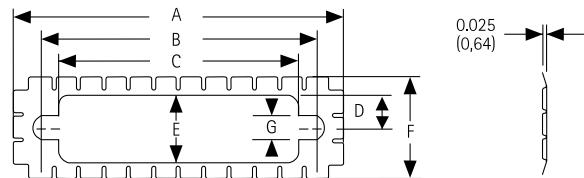
Top View



## Metal Connector Shields "D" Connector Series

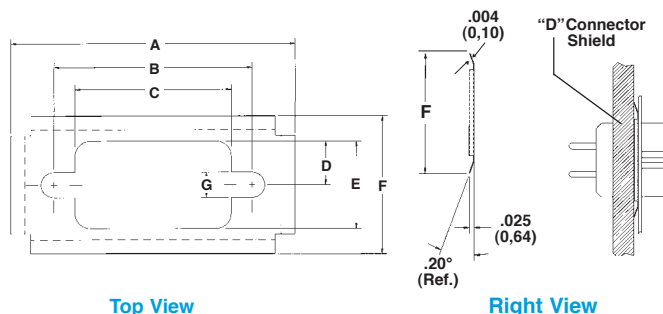


- Available in 9-pin to 68-pin "D" connector styles
- Angled flange design provides continuous contact to enclosure



"D" Connector Series Dimensions for BeCu and Stainless Steel

SS	BeCu	# Pins	A	B	C	D	E	F	G
95-822	97-822	9	1,410 (35,810)	0,980 (24,890)	0,780 (19,810)	0,220 (5,590)	0,440 (11,180)	0,690 (17,530)	0,160 (4,060)
95-823	97-823	9	1,410 (35,810)	0,980 (24,890)	0,780 (19,810)	0,180 (4,570)	0,350 (8,890)	0,690 (17,530)	0,160 (4,060)
95-824	97-824	15	1,740 (44,200)	1,310 (33,270)	1,110 (28,200)	0,220 (5,590)	0,440 (11,180)	0,690 (17,530)	0,160 (4,060)
95-825	97-825	15	1,740 (44,200)	1,310 (33,270)	1,110 (28,200)	0,180 (4,570)	0,350 (8,890)	0,690 (17,530)	0,160 (4,060)
95-826	97-826	25	2,280 (57,910)	1,850 (47,000)	1,650 (41,910)	0,220 (5,590)	0,440 (11,180)	0,690 (17,530)	0,160 (4,060)
95-827	97-827	25	2,280 (57,910)	1,850 (47,000)	1,650 (41,910)	0,180 (4,570)	0,350 (8,890)	0,690 (17,530)	0,160 (4,060)
95-828	97-828	37	2,930 (74,420)	2,500 (63,500)	2,290 (58,170)	0,220 (5,590)	0,440 (11,180)	0,690 (17,530)	0,160 (4,060)
95-829	97-829	37	2,930 (74,420)	2,500 (63,500)	2,290 (58,170)	0,180 (4,570)	0,350 (8,890)	0,690 (17,530)	0,160 (4,060)



"D" Connector Series Dimensions for BeCu and Stainless Steel

SS	BeCu	# Pins	A	B	C	D	E	F	G
97-768	97-778	9	1,410 (35,814)	0,980 (24,892)	0,780 (19,812)	0,220 (5,588)	0,440 (11,176)	0,690 (17,526)	0,130 (3,302)
97-769	97-779	15	1,740 (44,196)	1,310 (33,274)	1,110 (28,194)	0,220 (5,588)	0,440 (11,176)	0,690 (17,526)	0,130 (3,302)
97-770	97-780	25	2,280 (57,912)	1,850 (46,990)	1,650 (41,910)	0,220 (5,588)	0,440 (11,176)	0,690 (17,526)	0,130 (3,302)
97-771	97-781	37	2,930 (74,422)	2,500 (63,500)	2,290 (58,166)	0,220 (5,588)	0,440 (11,176)	0,690 (17,526)	0,130 (3,302)
97-772	97-782	50	2,840 (72,136)	2,410 (61,214)	2,110 (53,594)	0,280 (7,112)	0,550 (13,970)	0,800 (20,320)	0,240 (6,096)
97-773	97-783	68	1,800 (45,720)	1,480 (37,592)	1,260 (32,004)	0,080 (2,032)	0,160 (4,064)	0,400 (10,160)	0,090 (2,286)

All dimensions shown are in inches (millimeters) unless otherwise specified. For availability see pages 6-11.

