

# Ledex® Box Frame Size B12M

Part Number: B12M - **XXX** - B-3

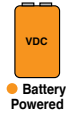
All products are RoHS Compliant

LINEAR Open Frame

Select from performance chart below

## Specifications

Operation	Pull
Dielectric Strength	500 VRMS for one second
Continuous Duty Cycle	100% at 20°C ambient temperature
Intermittent Duty Cycle	See below
Holding Force	2.1 N at 20°C
Coil Insulation	Class "A": 105°C max.
Coil Termination	254 mm PVC lead wires
Plunger Weight	1.4 g
Total Weight	8.5 g



## Performance

Maximum Duty Cycle	100%	50%	25%	10%
Maximum ON Time (sec) when pulsed continuously	∞	84	11	2
Maximum ON Time (sec) for single pulse	∞	120	34	8
Watts (@ 20°C)	1.3	2.6	5.2	13
Ampere Turns (@ 20°C)	178	251	355	561

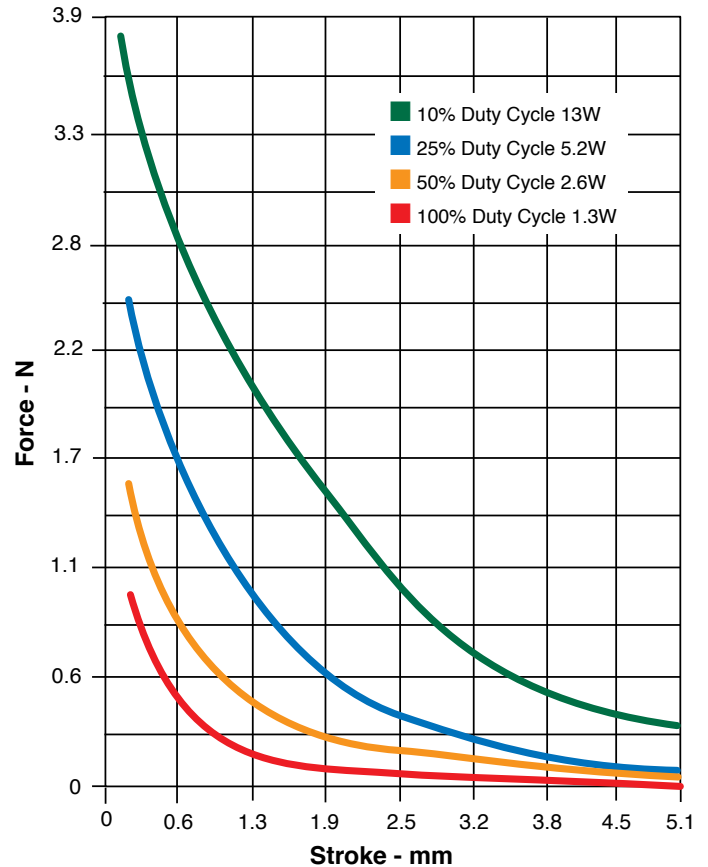
## Coil Data

Part Number	Resistance (@20°C)	Ref # Turns	VDC (Nom)	VDC (Nom)	VDC (Nom)	VDC (Nom)
B12M-258-B-3	6.92	417	3	4.24	6	9.5
B12M-255-B-3	27.7	824	6	8.5	12	19
B12M-256-B-3	62.3	1184	9	13	18	28.5
B12M-254-B-3	110.8	1632	12	17	24	38
B12M-253-B-3	443.1	3336	24	34	48	76

## NOTES:

- All data is typical.
- Force testing is done with the solenoid in the horizontal position.
- All data reflects operation with no heat sink.
- Pull versions standard; push versions available.
- Magnetic latching version available.

## Typical Force @ 20°C



## How to Order

Select the part number from the table provided. (For example, to order a 25% duty cycle unit rated at 48 VDC, specify B12M-253-B-5).

Please see [www.ledex.com](http://www.ledex.com) for our list of stock products available through our North American distributors.

All specifications subject to change without notice.

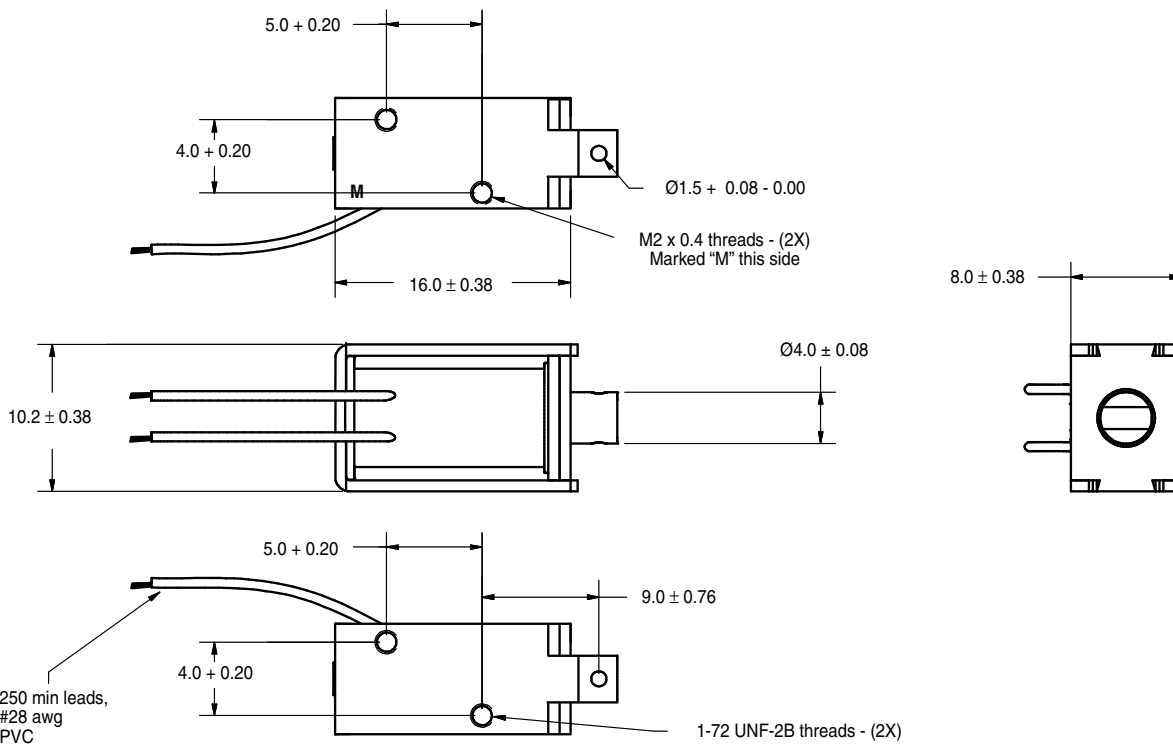
Force values for reference only.

# Ledex® Box Frame Size B12M

## Dimensions

mm

All solenoids are illustrated in energised state



**ERMEC**  
www.ermec.com  
Distribución de componentes  
eléctricos y electrónicos