

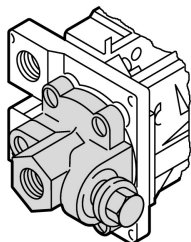


Pressure pipe flange, 1/2 inch, +pressure gauge connection

Part no. **M-MCS**
 Catalog No. **071913**
 Eaton Catalog No. **M-MCS**

Delivery program

Product range		Accessories
Basic function		Pressure pipe flange with pressure gauge connection
		Article no. when ordered separately
For use with		MCS, MCSN(-V)



Notes

Manometer connection R 1/4",
 Pressure pipe flange always R 1/2" also with MCS

Design verification as per IEC/EN 61439

Technical data for design verification		
Operating ambient temperature min.	°C	-25
Operating ambient temperature max.	°C	70

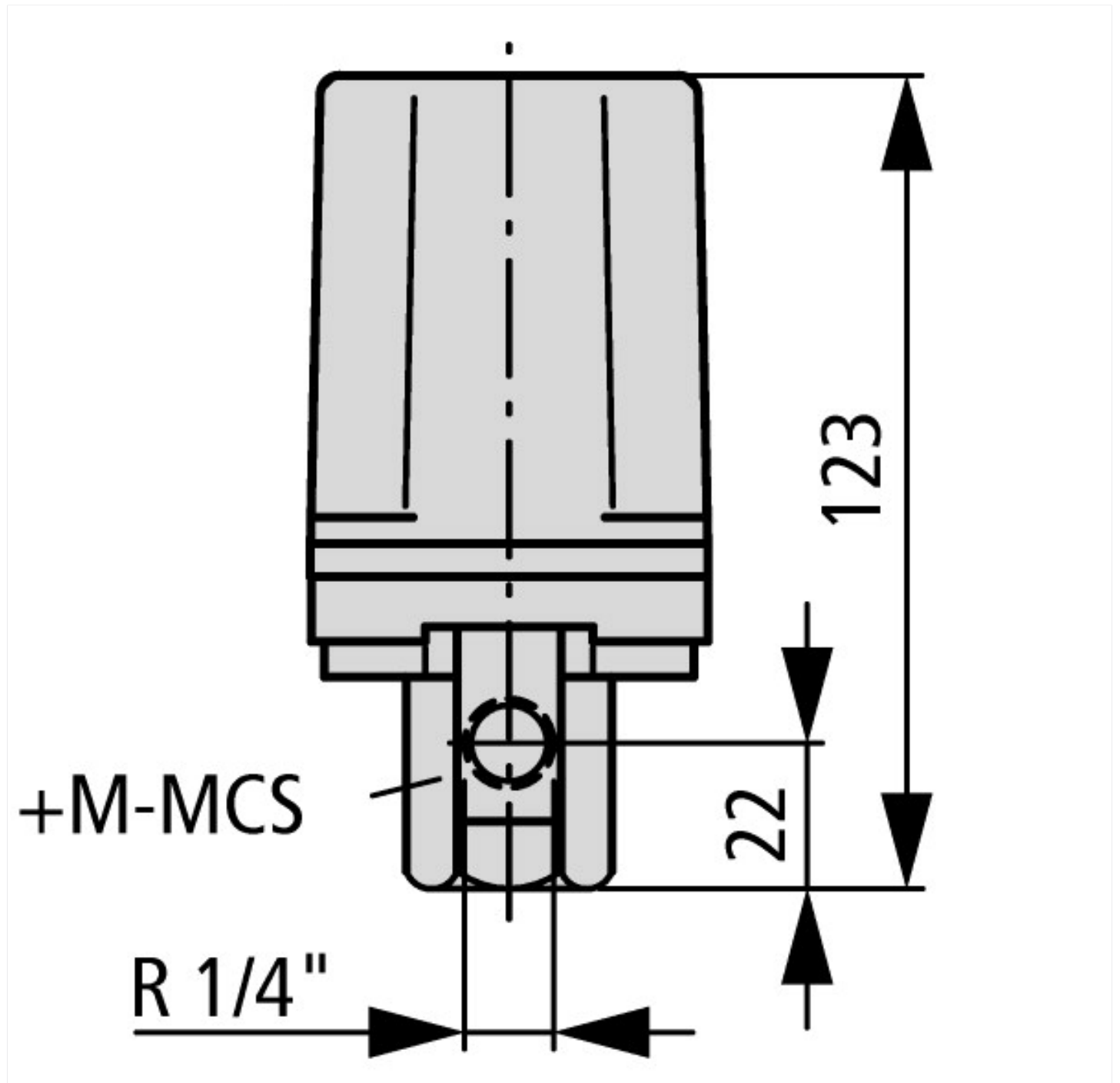
Technical data ETIM 7.0

Low-voltage industrial components (EG000017) / Accessories for low-voltage switch technology (EC002498)		
Electric engineering, automation, process control engineering / Low-voltage switch technology / Component for low-voltage switching technology / Component for low-voltage switch technology (accessories) (ecl@ss10.0.1-27-37-13-92 [AKN570013])		
Type of accessory		Connection technique

Approvals

Product Standards		CSA-CC22.2 No. 14
CSA File No.		12528
CSA Class No.		3211-06
North America Certification		CSA certified

Dimensions



Additional product information (links)

IL05212001Z (AWA1320-0132) Pressure switch

IL05212001Z (AWA1320-0132) Pressure switch ftp://ftp.moeller.net/DOCUMENTATION/AWA_INSTRUCTIONS/IL05212001Z2018_05.pdf