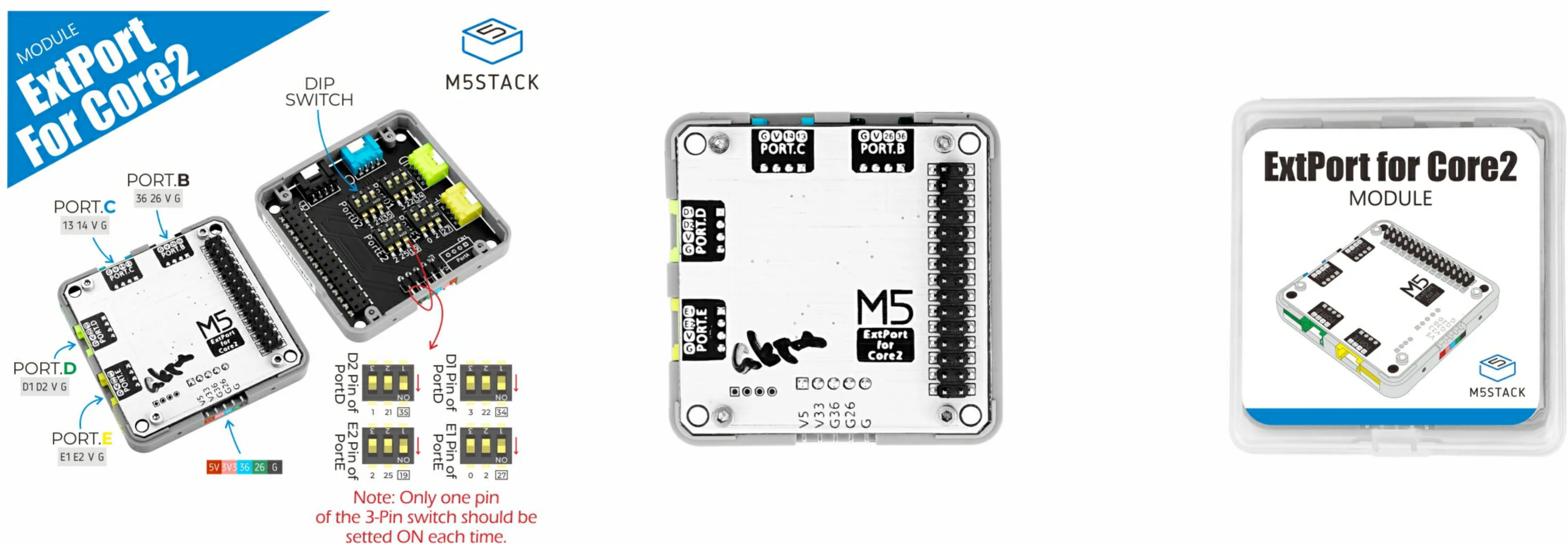


ExtPort For Core2

SKU:M123



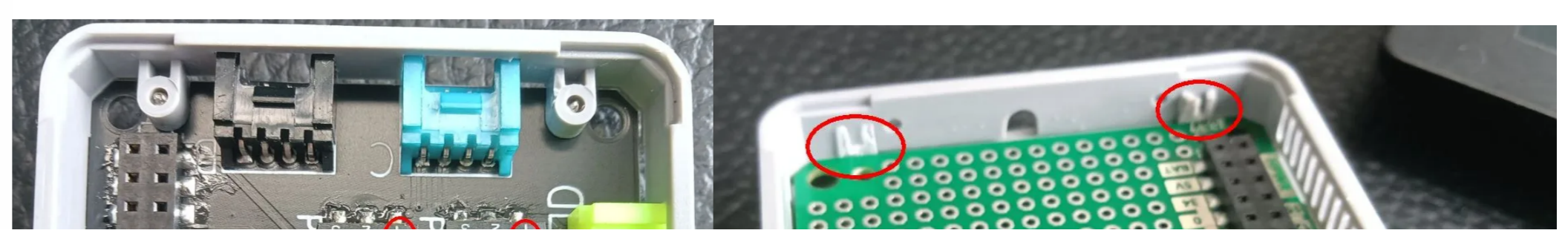
Description

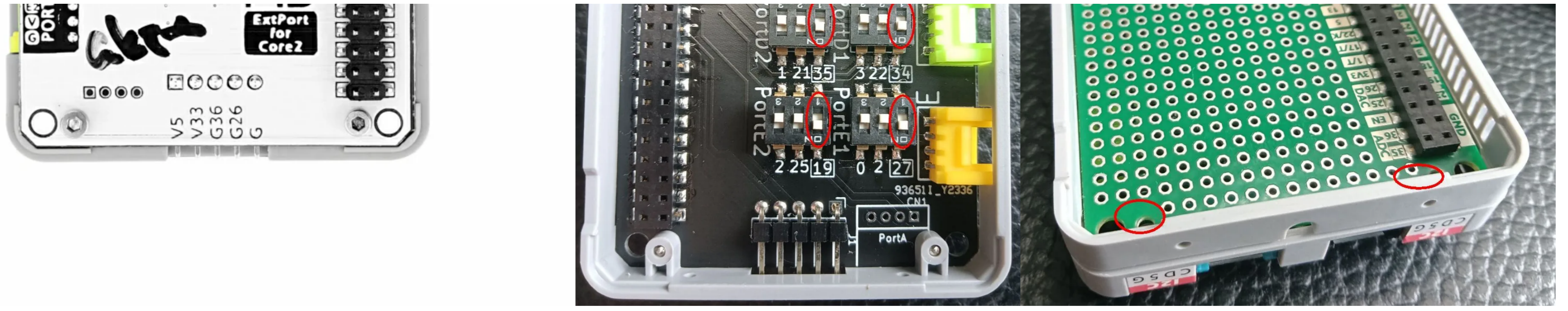
ExtPort For Core2 is an expansion module for **M5Stack Core2** converting to **Grove interface**. It provides **PortB/C/D/E** 4 Grove interfaces, and **PortD/E** can be configured with different GPIOs via internal dip switches.

Notes

Note:

1. **ExtPort For Core2** has the signature of designer.
2. Before use, please switch one of the 3-pin dip switch to be **ON**. Remember that, only one of the dip switch can be set to ON, or it may damage the module.
3. If you need to use the Core2 bottom board, you will need to cut off the four support feet of the PROTO module (as shown below), to avoid interference with the bottom board, and use M3 screws to fix.





Product Features

- 4x Grove interface (PortB/C/D/E)
- 4x 3-pin dip switches (PortD/E)
- 1x [5Pin@2.54mm](#) pin head

Included

- 1x ExtPort For Core2

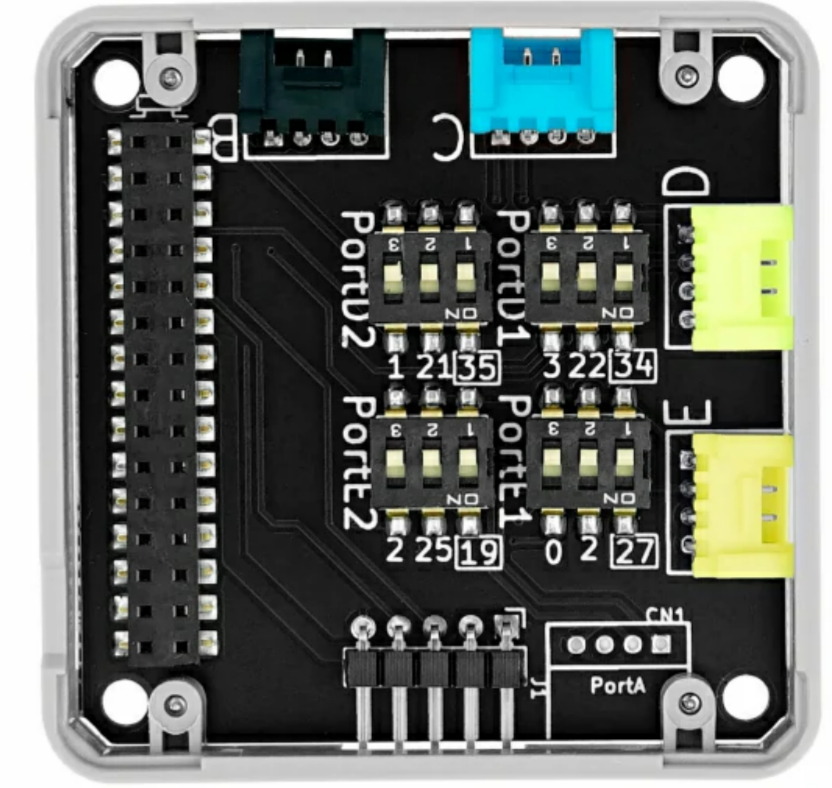
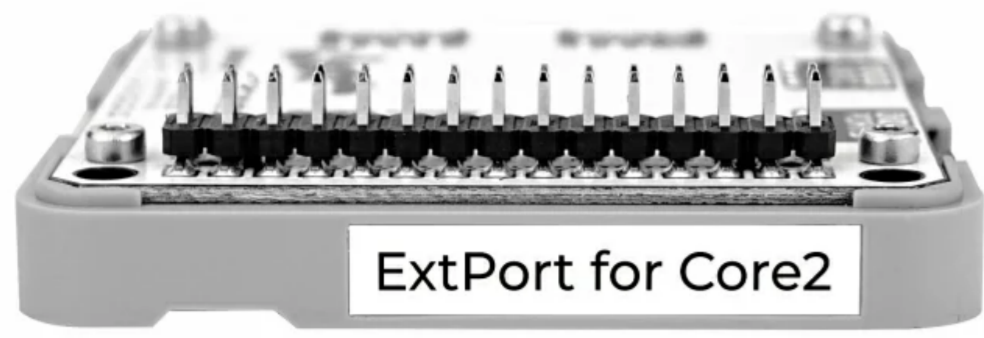
Application Scenarios

- Multi-sensor, multi-actuator extensions
- DIY project

Specifications

Spec	Parameters
Expansion ports	PortB, PortC, PortD, PortE
Net Weight	24g
Gross Weight	58g
Product Dimensions	54x54x13mm
Package Size	62x58x17mm





PinMap

Grove Ports: with * for default pins

PORT	WHITE	YELLOW	RED	BLACK
PortB	36	26	5V	GND
PortC	13	14	5V	GND
PortD	34	35	5V	GND
PortE	27	19	5V	GND

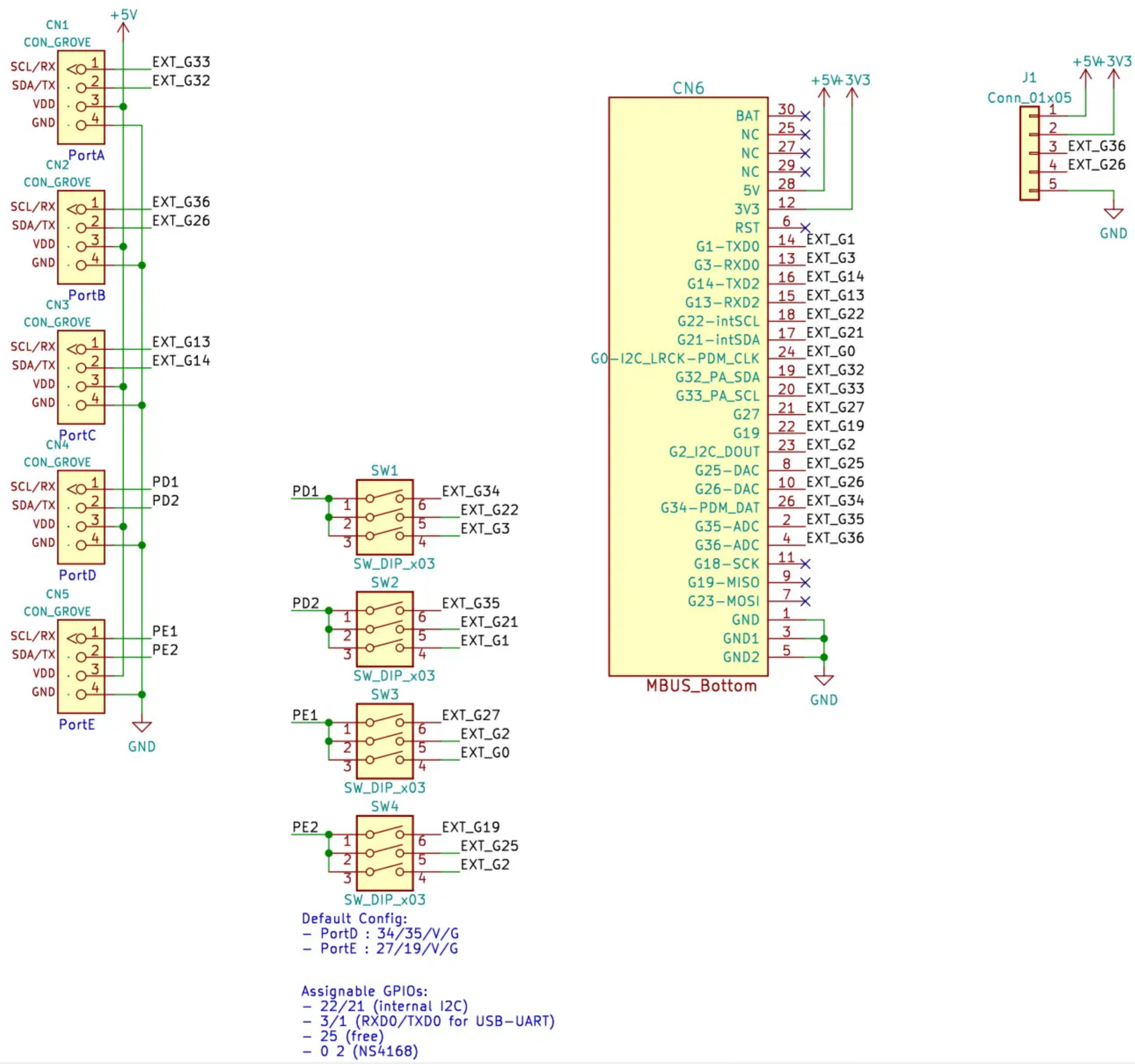
- Pin assignment of PortD/E can be configured as one of the following assignments by each 3-Pin dip switch.
- PortD-1 (WHITE) : 34(default) / 22(internal I2C-SCL) / 3 (RXD0)
- PortD-2 (YELLOW) : 35(default) / 21(internal I2C-SDA) / 1 (TXD0)
- PortE-1 (WHITE) : 27(default) / 2 (NS4168-DATA) / 0 (NS4168-LRCK)
- PortE-2 (YELLOW) : 19(default) / 25 / 2 (NS4168-DATA)



5Pin@2.54mm head pin:

1	2	3	4	5
V5(+5V)	V33(+3.3V)	G36	G26	GND

Schematic



Related Link

- **Hardware**
 - [Project source file from kicad](#)
 - [SCH pdf](#)
- **Tutorial document**
 - [M5Stackハンズオン資料 From Japanese](#)

FAQ