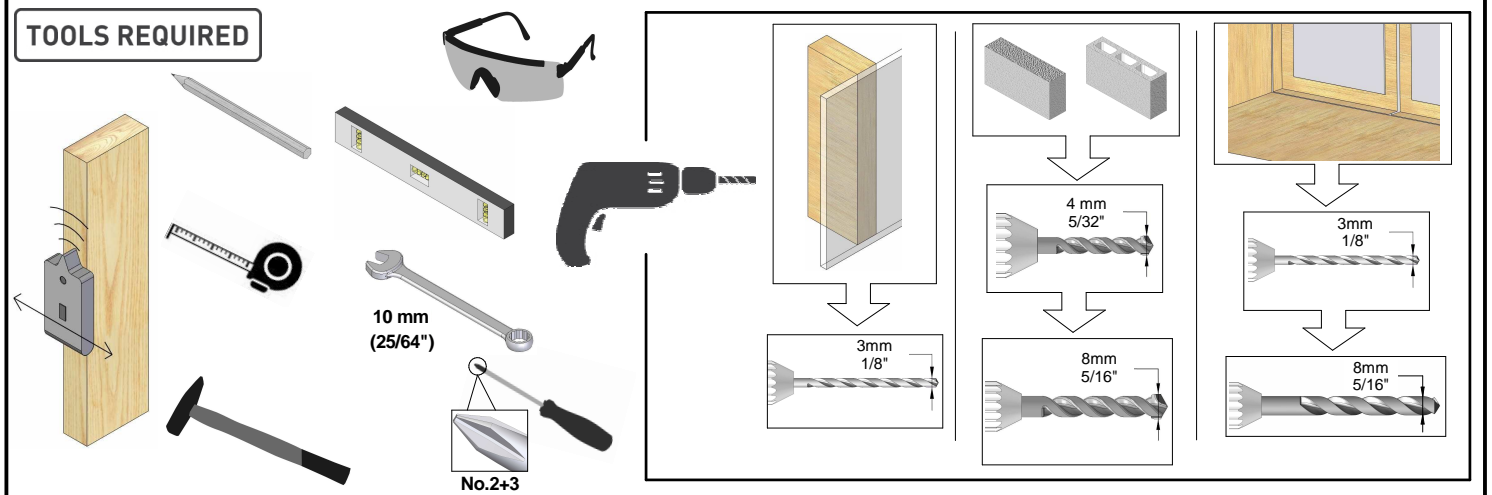
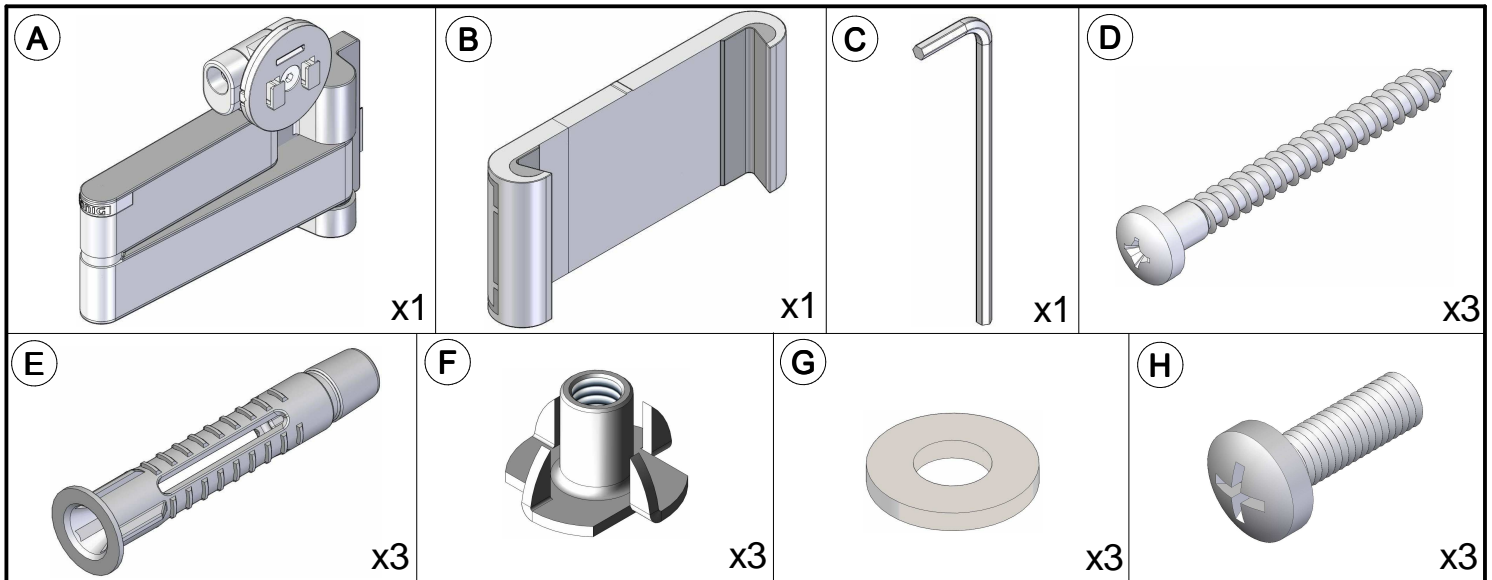
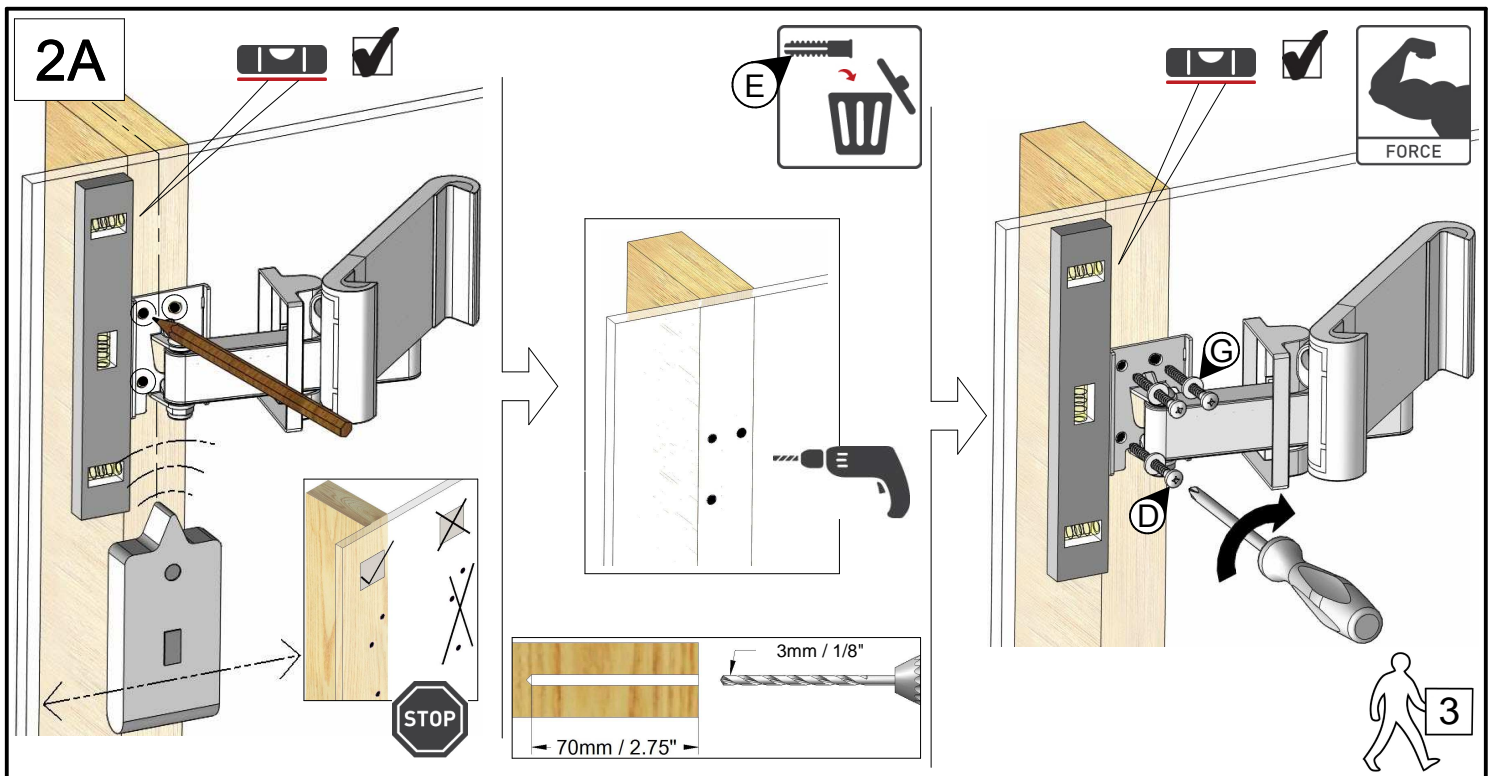
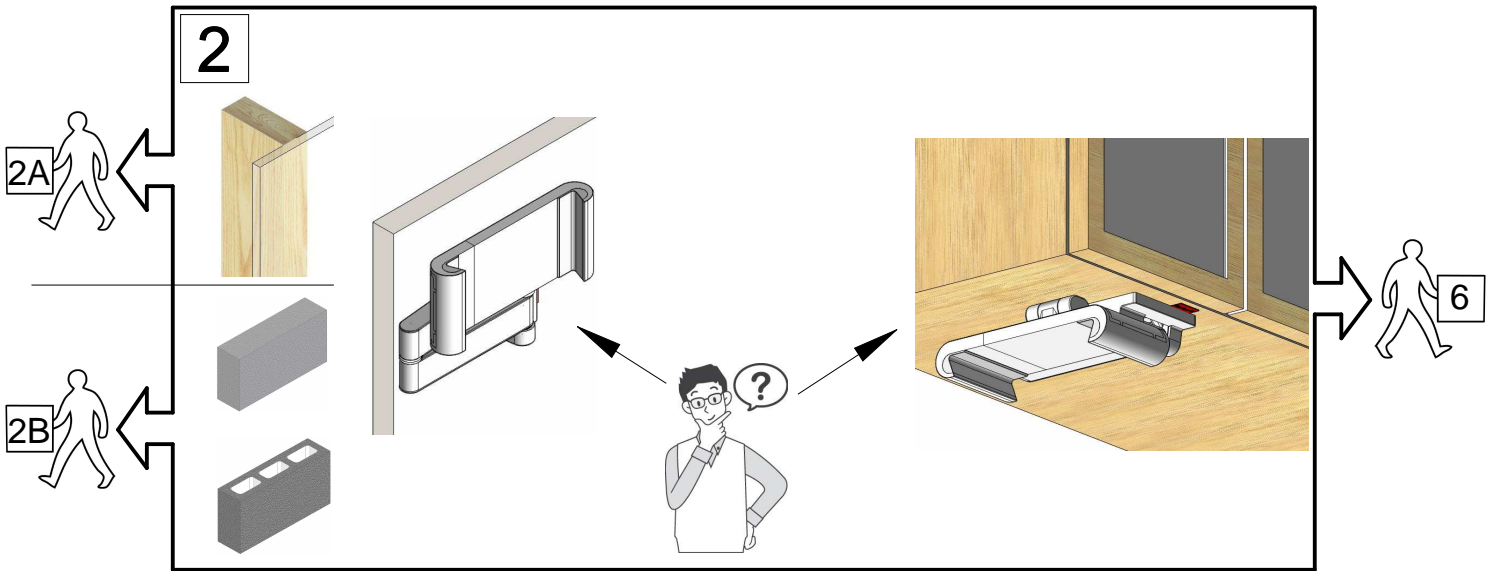
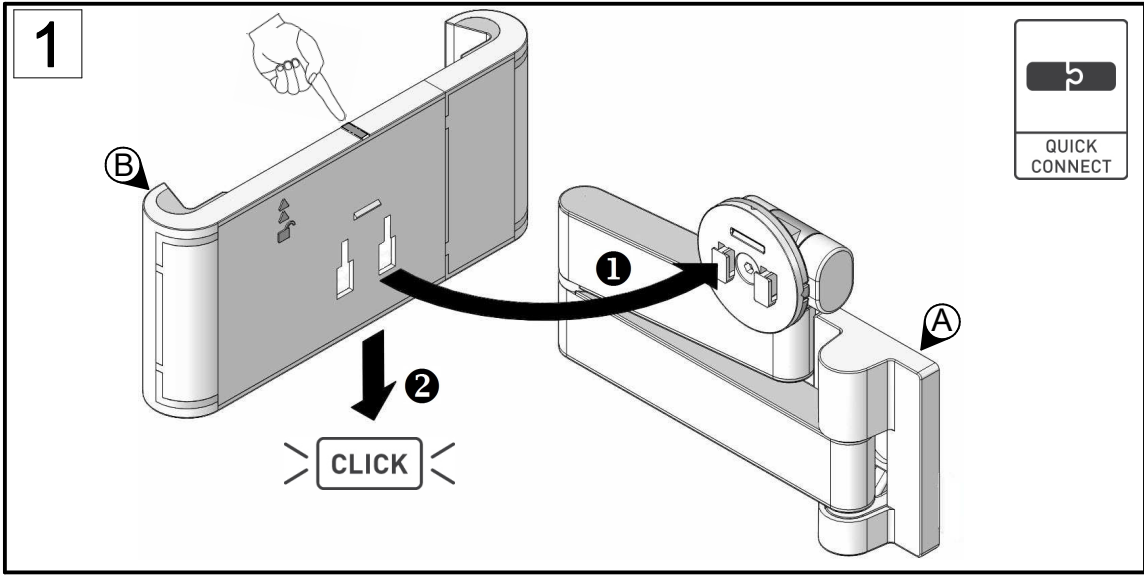


Tablet Size	Tablet Weight	
7" - 12"	US Max	EU
17.8cm - 30.5cm	2.2 lbs	1 kg





2B

Leveling: Use a spirit level to ensure the mounting plate is level. A checkmark indicates correct leveling.

Drilling:

- STOP** - Do not use a power drill on the wall.
- STOP** - Do not use a power drill on the mounting plate.
- DANGER** - Warning symbol.

Drill Holes:

- 1** Drill a hole with a 4mm / 5/32" drill bit, 70mm / 2.75" deep.
- 2** Drill a hole with an 8mm / 5/16" drill bit, 70mm / 2.75" deep.

Mounting:

- 1** Insert the mounting plate into the wall.
- 2** Tighten the screws. **x Min 2**
- 1** Tighten the screws. **x Min 4 Max 9**
- 2** Tighten the screws. **x Min 4 Max 9**

Anchor Installation:

- E** - Anchor screw.
- 10mm 3/8"** - The anchor must be sunk up to 10 mm (3/8") into the plaster coating.
- PLASTER COATING** - Label for the wall surface.
- !** - Warning symbol.

Final Mounting:

- D** - Mounting plate.
- G** - Mounting plate.
- !** - Warning symbol.
- FORCE** - Muscle icon indicating force is required.
- 3** - Person icon indicating the next step.

3 **TEST!**

5kg / 11lbs

✓ - Correct application of force.

✗ - Incorrect application of force.

4

1 - Arrow pointing down.

2 - Arrow pointing up.

5

360° - 360° ROTATION.

TILT - TILT.

FINISH - Person icon with arms raised.

