



MCP2515
CAN Bus Monitor
Demo Board
User's Guide

Note the following details of the code protection feature on Microchip devices:

- Microchip products meet the specification contained in their particular Microchip Data Sheet.
- Microchip believes that its family of products is one of the most secure families of its kind on the market today, when used in the intended manner and under normal conditions.
- There are dishonest and possibly illegal methods used to breach the code protection feature. All of these methods, to our knowledge, require using the Microchip products in a manner outside the operating specifications contained in Microchip's Data Sheets. Most likely, the person doing so is engaged in theft of intellectual property.
- Microchip is willing to work with the customer who is concerned about the integrity of their code.
- Neither Microchip nor any other semiconductor manufacturer can guarantee the security of their code. Code protection does not mean that we are guaranteeing the product as "unbreakable."

Code protection is constantly evolving. We at Microchip are committed to continuously improving the code protection features of our products. Attempts to break Microchip's code protection feature may be a violation of the Digital Millennium Copyright Act. If such acts allow unauthorized access to your software or other copyrighted work, you may have a right to sue for relief under that Act.

Information contained in this publication regarding device applications and the like is provided only for your convenience and may be superseded by updates. It is your responsibility to ensure that your application meets with your specifications. MICROCHIP MAKES NO REPRESENTATIONS OR WARRANTIES OF ANY KIND WHETHER EXPRESS OR IMPLIED, WRITTEN OR ORAL, STATUTORY OR OTHERWISE, RELATED TO THE INFORMATION, INCLUDING BUT NOT LIMITED TO ITS CONDITION, QUALITY, PERFORMANCE, MERCHANTABILITY OR FITNESS FOR PURPOSE. Microchip disclaims all liability arising from this information and its use. Use of Microchip devices in life support and/or safety applications is entirely at the buyer's risk, and the buyer agrees to defend, indemnify and hold harmless Microchip from any and all damages, claims, suits, or expenses resulting from such use. No licenses are conveyed, implicitly or otherwise, under any Microchip intellectual property rights.

Trademarks

The Microchip name and logo, the Microchip logo, Accuron, dsPIC, KEELOQ, KEELOQ logo, MPLAB, PIC, PICmicro, PICSTART, rPIC and SmartShunt are registered trademarks of Microchip Technology Incorporated in the U.S.A. and other countries.

FilterLab, Linear Active Thermistor, MXDEV, MXLAB, SEEVAL, SmartSensor and The Embedded Control Solutions Company are registered trademarks of Microchip Technology Incorporated in the U.S.A.

Analog-for-the-Digital Age, Application Maestro, CodeGuard, dsPICDEM, dsPICDEM.net, dsPICworks, dsSPEAK, ECAN, ECONOMONITOR, FanSense, In-Circuit Serial Programming, ICSP, ICEPIC, Mindi, MiWi, MPASM, MPLAB Certified logo, MPLIB, MPLINK, mTouch, PICkit, PICDEM, PICDEM.net, PICTail, PIC³² logo, PowerCal, PowerInfo, PowerMate, PowerTool, REAL ICE, rLAB, Select Mode, Total Endurance, UNI/O, WiperLock and ZENA are trademarks of Microchip Technology Incorporated in the U.S.A. and other countries.

SQTP is a service mark of Microchip Technology Incorporated in the U.S.A.

All other trademarks mentioned herein are property of their respective companies.

© 2008, Microchip Technology Incorporated, Printed in the U.S.A., All Rights Reserved.

 Printed on recycled paper.

QUALITY MANAGEMENT SYSTEM
CERTIFIED BY DNV
== ISO/TS 16949:2002 ==

Microchip received ISO/TS-16949:2002 certification for its worldwide headquarters, design and wafer fabrication facilities in Chandler and Tempe, Arizona; Gresham, Oregon and design centers in California and India. The Company's quality system processes and procedures are for its PIC[®] MCUs and dsPIC[®] DSCs, KEELOQ[®] code hopping devices, Serial EEPROMs, microperipherals, nonvolatile memory and analog products. In addition, Microchip's quality system for the design and manufacture of development systems is ISO 9001:2000 certified.



MCP2515 CAN BUS MONITOR DEMO BOARD USER'S GUIDE

Table of Contents

Preface	1
Introduction.....	1
Document Layout	1
Conventions Used in this Guide	2
Recommended Reading.....	3
The Microchip Web Site	3
Customer Support	3
Document Revision History	4
Chapter 1. Product Overview	
1.1 Introduction	5
1.2 What is the MCP2515 CAN Bus Monitor Demo Board?	5
1.3 What the MCP2515 CAN Bus Monitor Demo Board Kit includes	5
Chapter 2. Installation and Operation	
2.1 Introduction	7
2.2 Features	7
2.3 Getting Started	8
2.4 Functional Operation	10
2.5 Software Operation	11
Appendix A. Schematic and Layouts	
A.1 Introduction	15
A.2 Board Schematic - Page 1	16
A.3 Board Schematic - Page 2	17
A.4 Board - Top Silk-screen Layer	18
A.5 Board - Top Layer	18
A.6 Board - Bottom Silk-screen Layer	19
A.7 Board - Bottom Layer	19
Appendix B. Bill Of Materials (BOM)	
Worldwide Sales and Service	24

MCP2515 CAN Bus Monitor Demo Board User's Guide

NOTES:



MCP2515 CAN BUS MONITOR DEMO BOARD USER'S GUIDE

Preface

NOTICE TO CUSTOMERS

All documentation becomes dated, and this manual is no exception. Microchip tools and documentation are constantly evolving to meet customer needs, so some actual dialogs and/or tool descriptions may differ from those in this document. Please refer to our web site (www.microchip.com) to obtain the latest documentation available.

Documents are identified with a "DS" number. This number is located on the bottom of each page, in front of the page number. The numbering convention for the DS number is "DSXXXXA", where "XXXX" is the document number and "A" is the revision level of the document.

For the most up-to-date information on development tools, see the MPLAB® IDE on-line help. Select the Help menu, and then Topics to open a list of available on-line help files.

INTRODUCTION

This chapter contains general information that will be useful to know before using the MCP2515 CAN Bus Monitor Demo Board. Items discussed in this chapter include:

- Document Layout
- Conventions Used in this Guide
- Recommended Reading
- The Microchip Web Site
- Customer Support
- Document Revision History

DOCUMENT LAYOUT

This document describes how to use the MCP2515 CAN Bus Monitor Demo Board as a development tool to emulate and debug firmware on a target board. The manual layout is as follows:

- **Chapter 1. "Product Overview"** – Important information about the MCP2515 CAN Bus Monitor Demo Board.
- **Chapter 2. "Installation and Operation"** – This chapter includes a detailed description of each function of the demo board and instructions for how to begin using the board.
- **Appendix A. "Schematic and Layouts"** – Shows the schematic and layout diagrams for the MCP2515 CAN Bus Monitor Demo Board.
- **Appendix B. "Bill Of Materials (BOM)"** – Lists the parts used to build the MCP2515 CAN Bus Monitor Demo Board.

MCP2515 CAN Bus Monitor Demo Board User's Guide

CONVENTIONS USED IN THIS GUIDE

This manual uses the following documentation conventions:

DOCUMENTATION CONVENTIONS

Description	Represents	Examples
Arial font:		
Italic characters	Referenced books	<i>MPLAB[®] IDE User's Guide</i>
	Emphasized text	...is the <i>only</i> compiler...
Initial caps	A window	the Output window
	A dialog	the Settings dialog
	A menu selection	select Enable Programmer
Quotes	A field name in a window or dialog	"Save project before build"
Underlined, italic text with right angle bracket	A menu path	<u><i>File>Save</i></u>
Bold characters	A dialog button	Click OK
	A tab	Click the Power tab
N'Rnnnn	A number in verilog format, where N is the total number of digits, R is the radix and n is a digit.	4'b0010, 2'hF1
Text in angle brackets < >	A key on the keyboard	Press <Enter>, <F1>
Courier New font:		
Plain Courier New	Sample source code	#define START
	Filenames	autoexec.bat
	File paths	c:\mcc18\h
	Keywords	_asm, _endasm, static
	Command-line options	-Opa+, -Opa-
	Bit values	0, 1
	Constants	0xFF, 'A'
Italic Courier New	A variable argument	<i>file.o</i> , where <i>file</i> can be any valid filename
Square brackets []	Optional arguments	mcc18 [options] <i>file</i> [options]
Curly brackets and pipe character: { }	Choice of mutually exclusive arguments; an OR selection	errorlevel {0 1}
Ellipses...	Replaces repeated text	var_name [, var_name...]
	Represents code supplied by user	void main (void) { ... }

RECOMMENDED READING

This user's guide describes how to use MCP2515 CAN Bus Monitor Demo Board. The following Microchip documents are available and recommended as supplemental reference resources.

MCP2515 Data Sheet, “Stand-Alone CAN Controller With SPI Interface”, (DS21801)

This data sheet provides detailed information regarding the MCP2515 product family.

MCP2551 Data Sheet, “High Speed CAN Transceiver”, (DS21667)

This data sheet provides detailed information regarding the MCP2551 product family.

PIC18F2455/2550/4455/4550 Data Sheet, (DS39632)

This data sheet provides detailed information regarding the PIC18F4550 product family.

THE MICROCHIP WEB SITE

Microchip provides online support via our web site at www.microchip.com. This web site is used as a means to make files and information easily available to customers. Accessible by using your favorite Internet browser, the web site contains the following information:

- **Product Support** – Data sheets and errata, application notes and sample programs, design resources, user's guides and hardware support documents, latest software releases and archived software
- **General Technical Support** – Frequently Asked Questions (FAQs), technical support requests, online discussion groups, Microchip consultant program member listing
- **Business of Microchip** – Product selector and ordering guides, latest Microchip press releases, listing of seminars and events, listings of Microchip sales offices, distributors and factory representatives

CUSTOMER SUPPORT

Users of Microchip products can receive assistance through several channels:

- Distributor or Representative
- Local Sales Office
- Field Application Engineer (FAE)
- Technical Support

Customers should contact their distributor, representative or field application engineer (FAE) for support. Local sales offices are also available to help customers. A listing of sales offices and locations is included in the back of this document.

Technical support is available through the web site at: <http://support.microchip.com>

MCP2515 CAN Bus Monitor Demo Board User's Guide

DOCUMENT REVISION HISTORY

Revision A (August 2008)

- Initial Release of this Document.

Chapter 1. Product Overview

1.1 INTRODUCTION

This chapter provides an overview of the MCP2515 CAN Bus Monitor Demo Board and covers the following topics:

- What is the MCP2515 CAN Bus Monitor Demo Board?
- What the MCP2515 CAN Bus Monitor Demo Board kit includes

1.2 WHAT IS THE MCP2515 CAN BUS MONITOR DEMO BOARD?

The MCP2515 CAN Bus Monitor Demo Board kit contains two identical boards which can be connected together to create a simple two node Controller Area Network (CAN) bus, which can be controlled and/or monitored via the included PC interface. The board(s) can also be connected to an existing CAN bus.

Using the PC interface, users can configure the MCP2515 registers, send CAN messages, and receive CAN messages. CAN traffic can be generated using a button on the board not connected to the PC.

There are also several headers (test points) so the MCP2515 pins can be monitored.

1.3 WHAT THE MCP2515 CAN BUS MONITOR DEMO BOARD KIT INCLUDES

The MCP2515 CAN Bus Monitor Demo Board Kit includes:

- Two MCP2515 CAN Bus Monitor Demo Board boards, 102-00108
- PIC18F4550 Firmware
- Connector cable to connect the two boards together
- Analog and Interface Products Demonstration Boards CD-ROM (DS21912)
 - MCP2515 CAN Bus Monitor Demo Board User's Guide, DS51757)
 - PC software for interfacing with the bus and the MCP2515

MCP2515 CAN Bus Monitor Demo Board User's Guide

NOTES:



MCP2515 CAN BUS MONITOR DEMO BOARD USER'S GUIDE

Chapter 2. Installation and Operation

2.1 INTRODUCTION

The MCP2515 CAN Bus Monitor Demo Board kit demonstrates the MCP2515 Stand-Alone CAN Controller interfacing to a CAN bus. The MCP2515 CAN Bus Monitor Demo Board kit consists of two identical boards which, when connected together, create a small, 2-node CAN bus. This bus can be interfaced to a PC by connecting one of the two boards to the PC (USB) and running the custom software.

The two nodes are identical in form, however, the function is determined by the connection to each other and the PC. One node (connected to the PC) will become the monitor and the other one will become the Traffic Generator. The boards are reversible (i.e., they can take either role, depending on the connection scheme).

Additionally, the board(s) can be connected to an existing CAN bus where the software can monitor the traffic and the user can interact with the bus as needed. The software allows some of the MCP2515 registers to be modified, as well as allows messages to be received and transmitted.

The user can gain an understanding of the capabilities of the MCP2515.

2.2 FEATURES

The MCP2515 CAN Bus Monitor Demo Board kit has the following features:

- Two identical boards and a CAN cable for creating a small CAN bus
- USB interface and PC software to interface to the CAN bus
- CAN bus PC software
- Button for changing the bus load on the Traffic Generator node
- Headers (test points) for monitoring the MCP2515 pins (CAN, SPI, and status/interrupt pins)
- PIC18F4550 PIC® Microcontroller (MCU) with ICD2 interface/header for in-circuit programming.

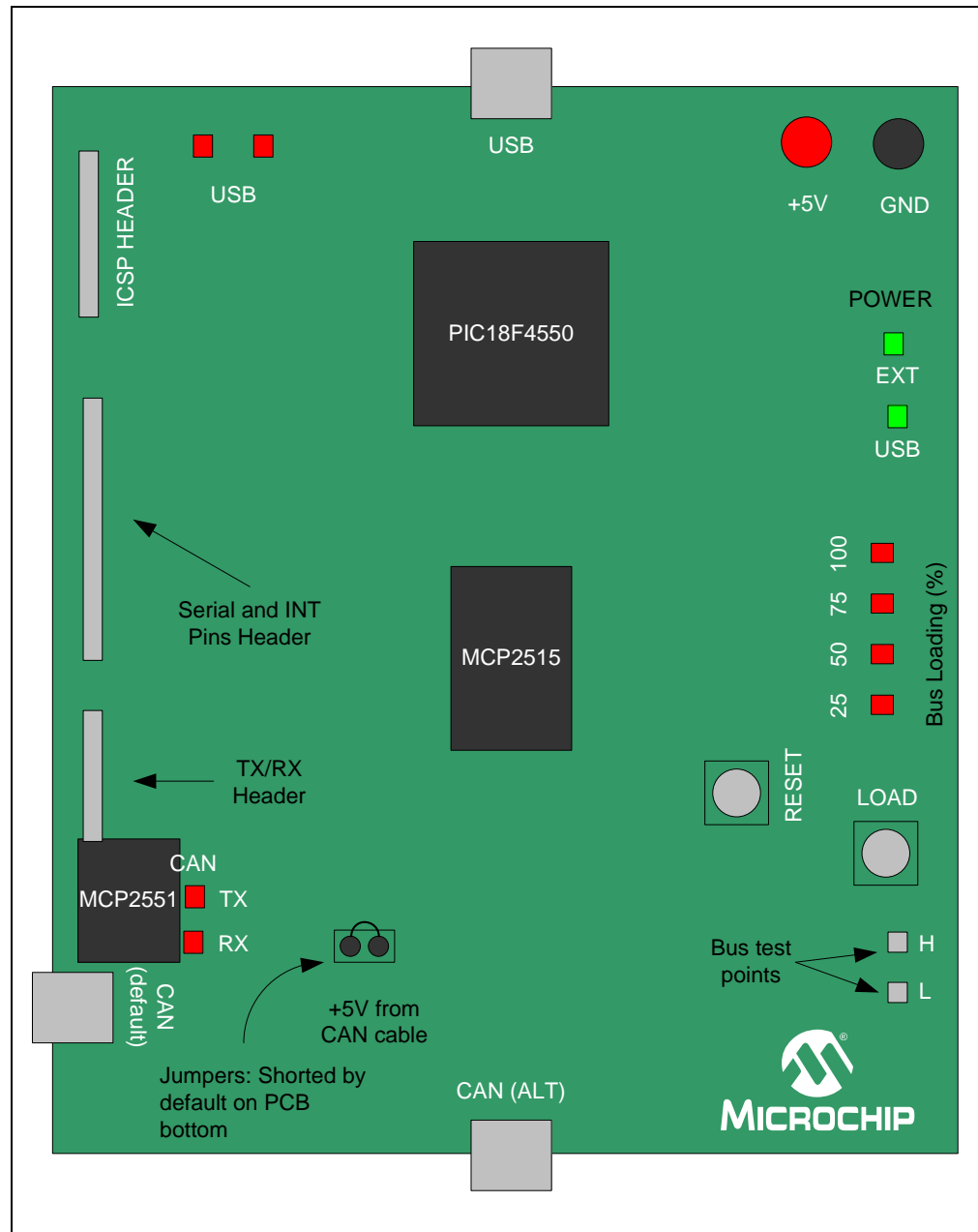
MCP2515 CAN Bus Monitor Demo Board User's Guide

2.3 GETTING STARTED

The MCP2515 CAN Bus Monitor Demo Board is a fully functional, assembled, and tested kit used to demonstrate the MCP2515 in a CAN bus environment. The following describes the basic setup and operation. See Figure 2-1 and Figure 2-2 for a simplified functional diagram and block diagram. Basic Setup:

1. Connect the two boards together using the supplied ribbon cable
2. Connect the USB cable to PC
3. Start the bus monitor software. Both boards will be configured to 125 kb/s CAN rate by default. Select “**Device > Connect**” to connect the board to the GUI.
4. Can now generate traffic (press the “LOAD” button on traffic generator board).

FIGURE 2-1: BLOCK DIAGRAM



Installation and Operation

FIGURE 2-2: FUNCTIONAL DIAGRAM

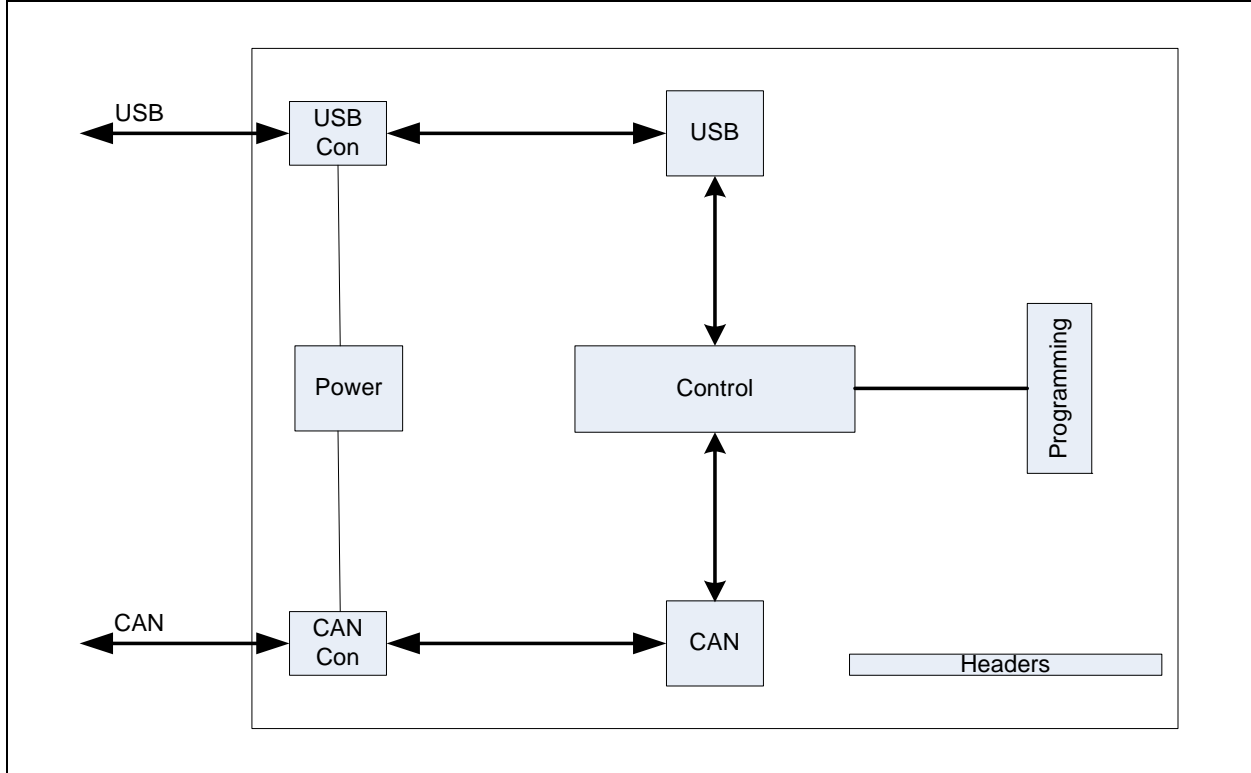
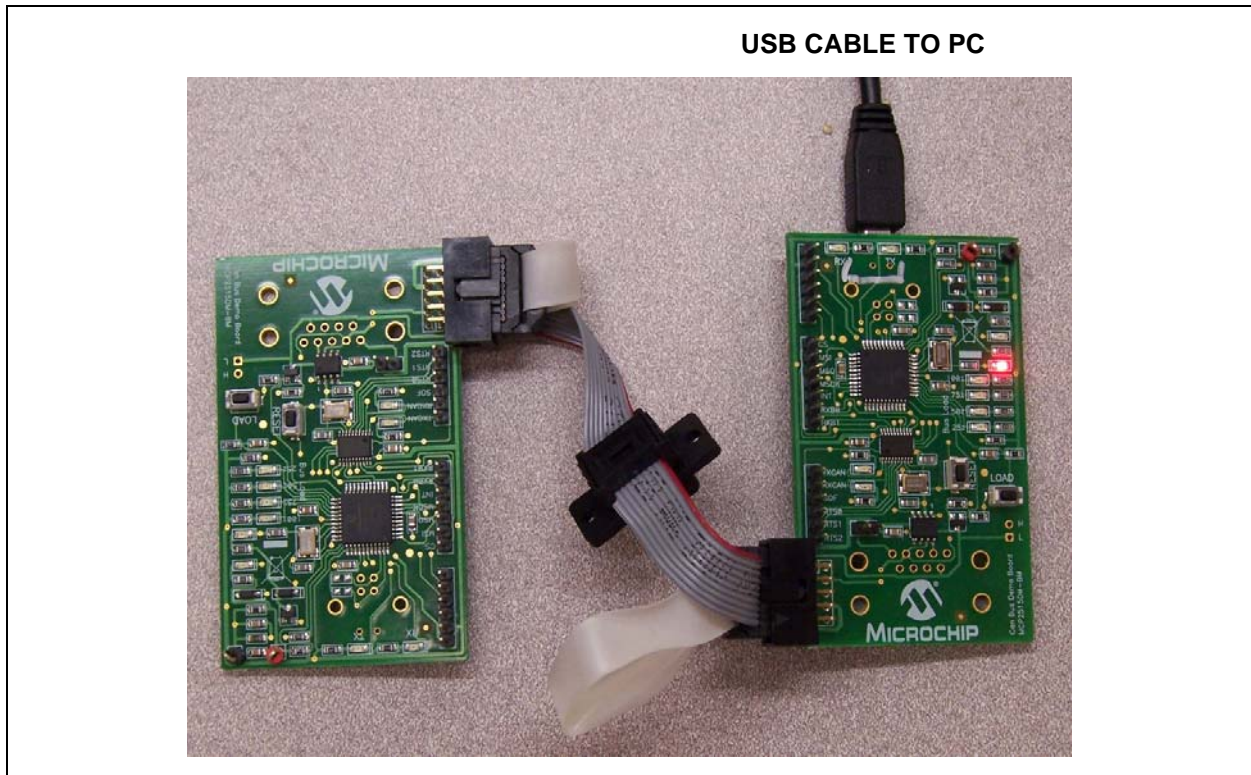


FIGURE 2-3: BOARD SET-UP CONFIGURATION



MCP2515 CAN Bus Monitor Demo Board User's Guide

2.4 FUNCTIONAL OPERATION

The MCP2515 CAN Bus Monitor Demo Board is basically a USB-to-CAN board which provides visual feedback of Controller Area Network operation. The two boards included in the kit can be used together to create a 2-node CAN bus.

The function of the board is determined by how it is powered.

2.4.1 Bus Monitor (Sniffer) Configuration

The board is designated as a Bus Monitor when the board detects a connection to the USB power (and enumerates to USB).

By default, this node is configured for 125 kb/s and the receive buffers are wide open (i.e., will receive all messages on the bus). The PC software communicates with this node.

2.4.2 Traffic Generator Configuration

The board is designated as a Traffic Generator when it is powered by a source other than USB (In this case, the other board is being powered by the CAN cable). In this configuration, the node responds to pressing the traffic generator button. Each depression of the button increments the bus load to the next step until it rolls around to zero again, at which time, the load will increment again for every depression.

Note: The silkscreen on the board indicates that the bus loading ranges from 25% to 100% when pressing the "LOAD" button. While the node can handle these loads, the display in the Output window becomes meaningless at loads above 5% - 8%. Therefore, the bus loading is reduced for demonstration purposes. The firmware can be modified to increase the traffic as needed.

2.4.3 Headers/Test Points

Two of the headers are connected to the MCP2515 pins so the pins can be monitored. The SPI and CAN serial interfaces, interrupt pin(s), and SOF pin are routed to headers/test points.

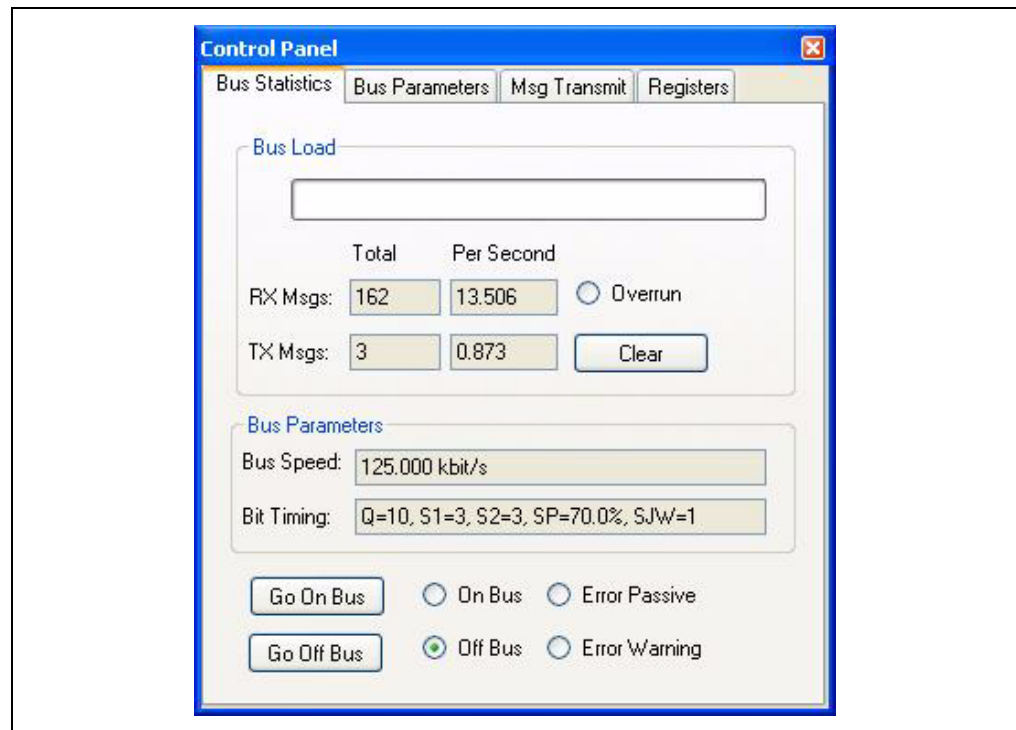
The ICSP signals from the PIC18F4550 are routed to a header.

2.5 SOFTWARE OPERATION

The software consists of five (5) main windows that are selected by tabs:

1. **Bus Statistics Window:** Shows the status of the bus, including on/off the bus, bus loading, number of transmitted and receive messages, and bit timing settings status. See Figure 2-4
2. **Bus Parameters Window:** Is used to set basic bit timing. The bus speeds are limited to the values in the pull-down box. To set custom bit timing, refer to the MCP2515 Configuration Window. See Figure 2-5
3. **Transmit Window:** This screen is used to configure and transmit CAN messages. See Figure 2-6
4. **Output Window:** This window displays the messages transmitted and received by the MCP2515. The right mouse button can be used to display the time in free running or delta. See Figure 2-7
5. **MCP2515 Configuration Window:** This window allows access to the MCP2515 registers. SPI commands can be issued. See Figure 2-8

FIGURE 2-4: BUS STATISTICS WINDOW



MCP2515 CAN Bus Monitor Demo Board User's Guide

FIGURE 2-5: BUS PARAMETERS WINDOW

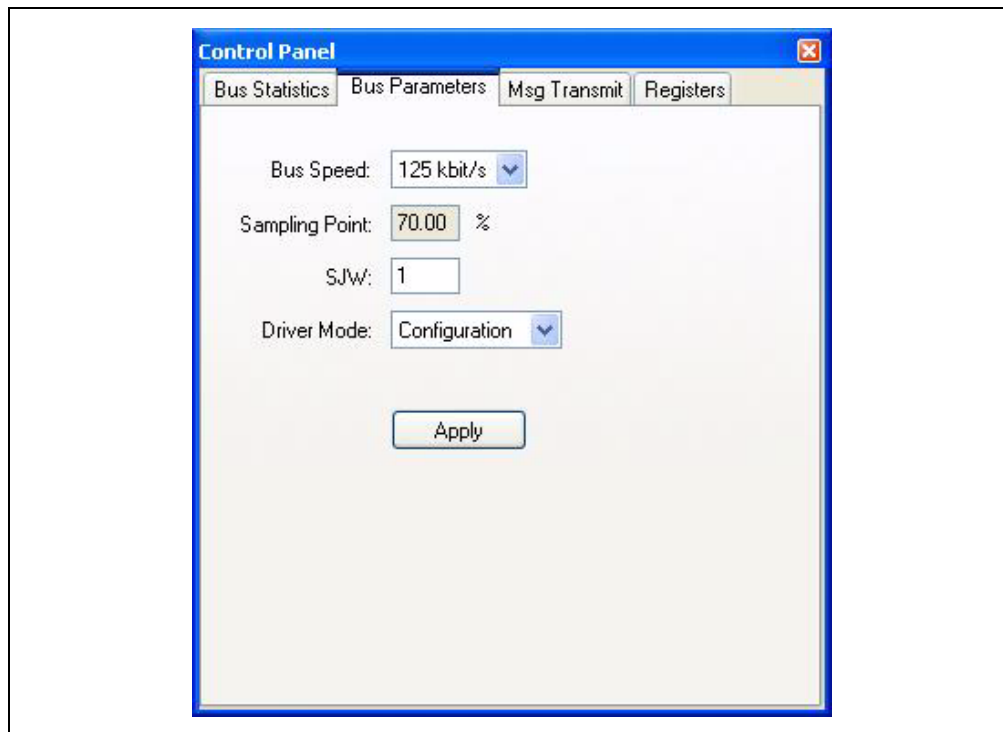


FIGURE 2-6: TRANSMIT WINDOW

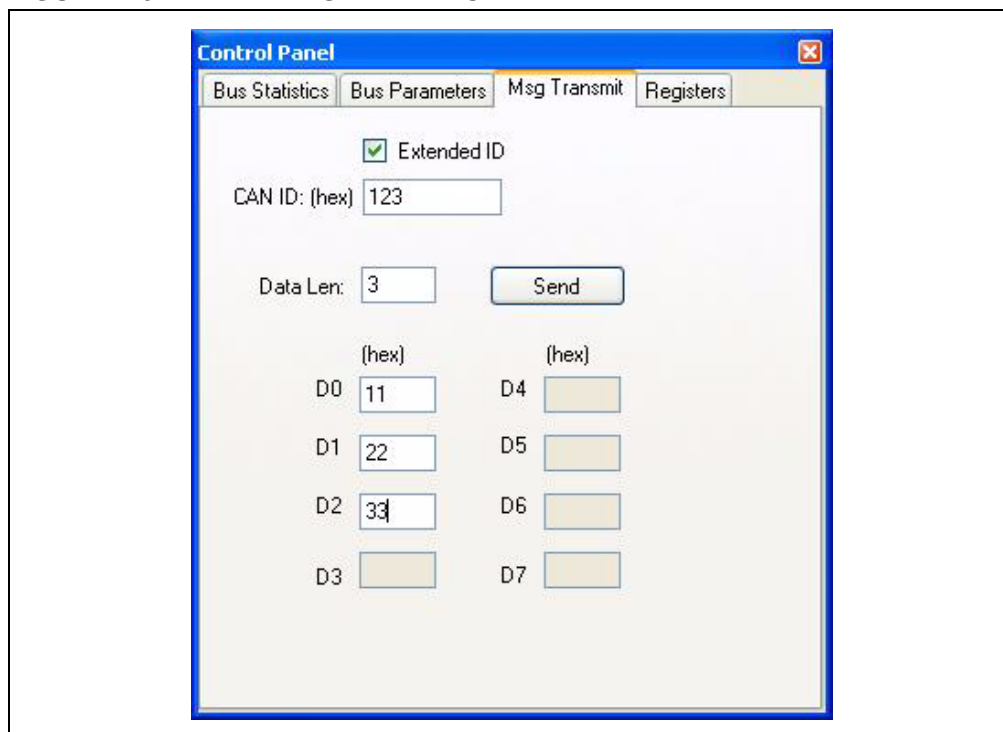


FIGURE 2-7: OUTPUT WINDOW

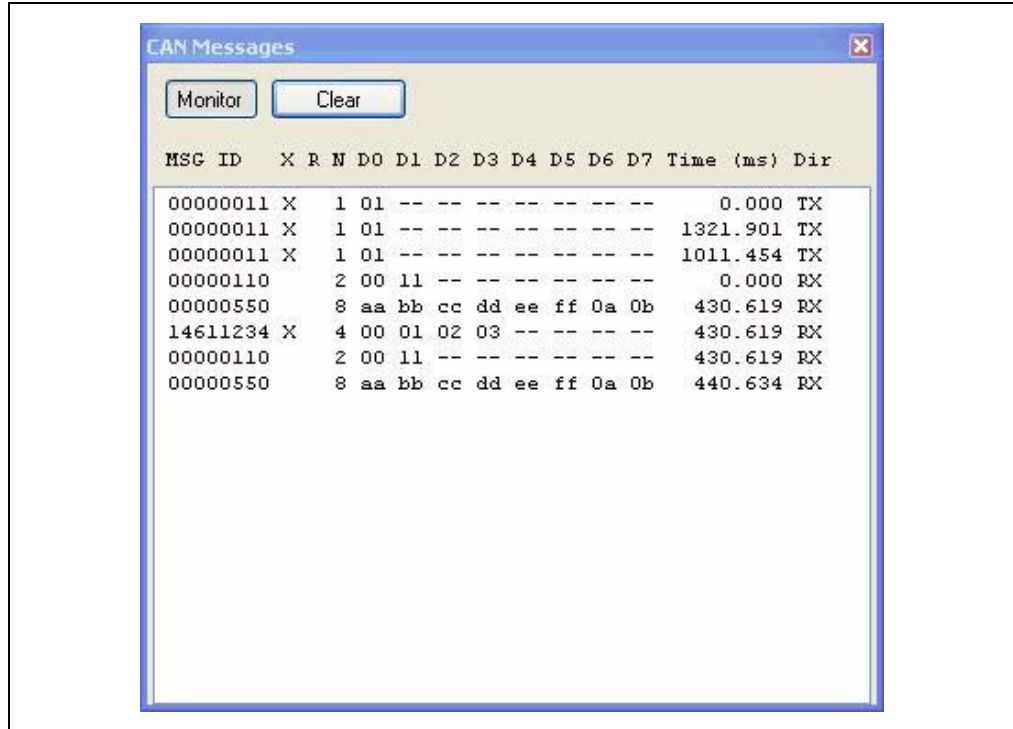
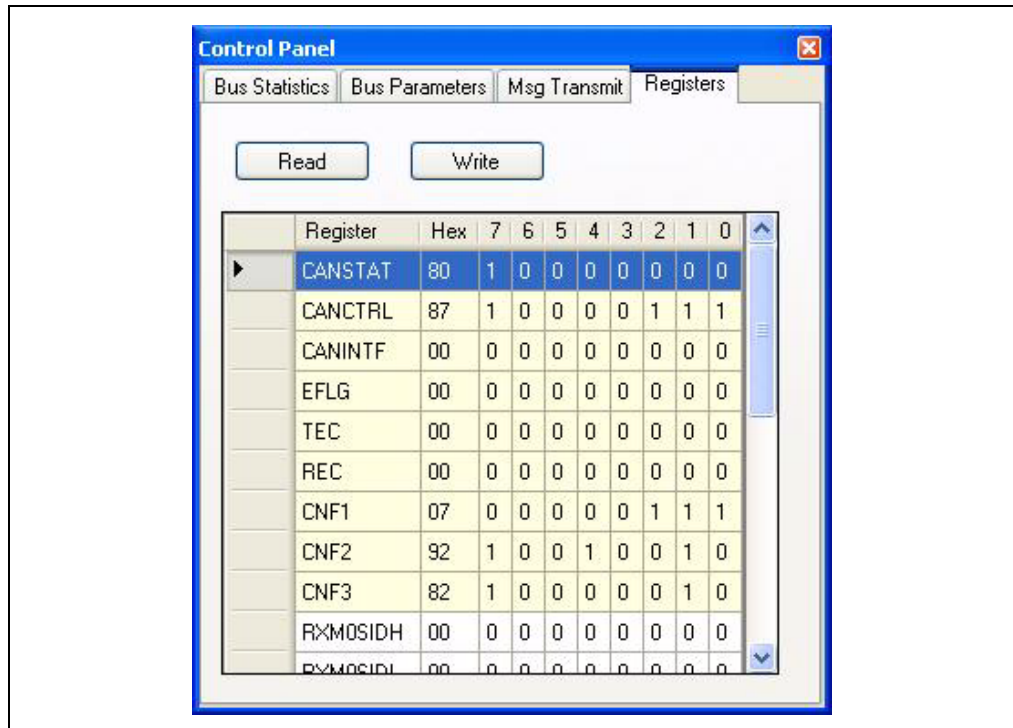


FIGURE 2-8: MCP2515 REGISTERS WINDOW



MCP2515 CAN Bus Monitor Demo Board User's Guide

NOTES:



MCP2515 CAN BUS MONITOR DEMO BOARD USER'S GUIDE

Appendix A. Schematic and Layouts

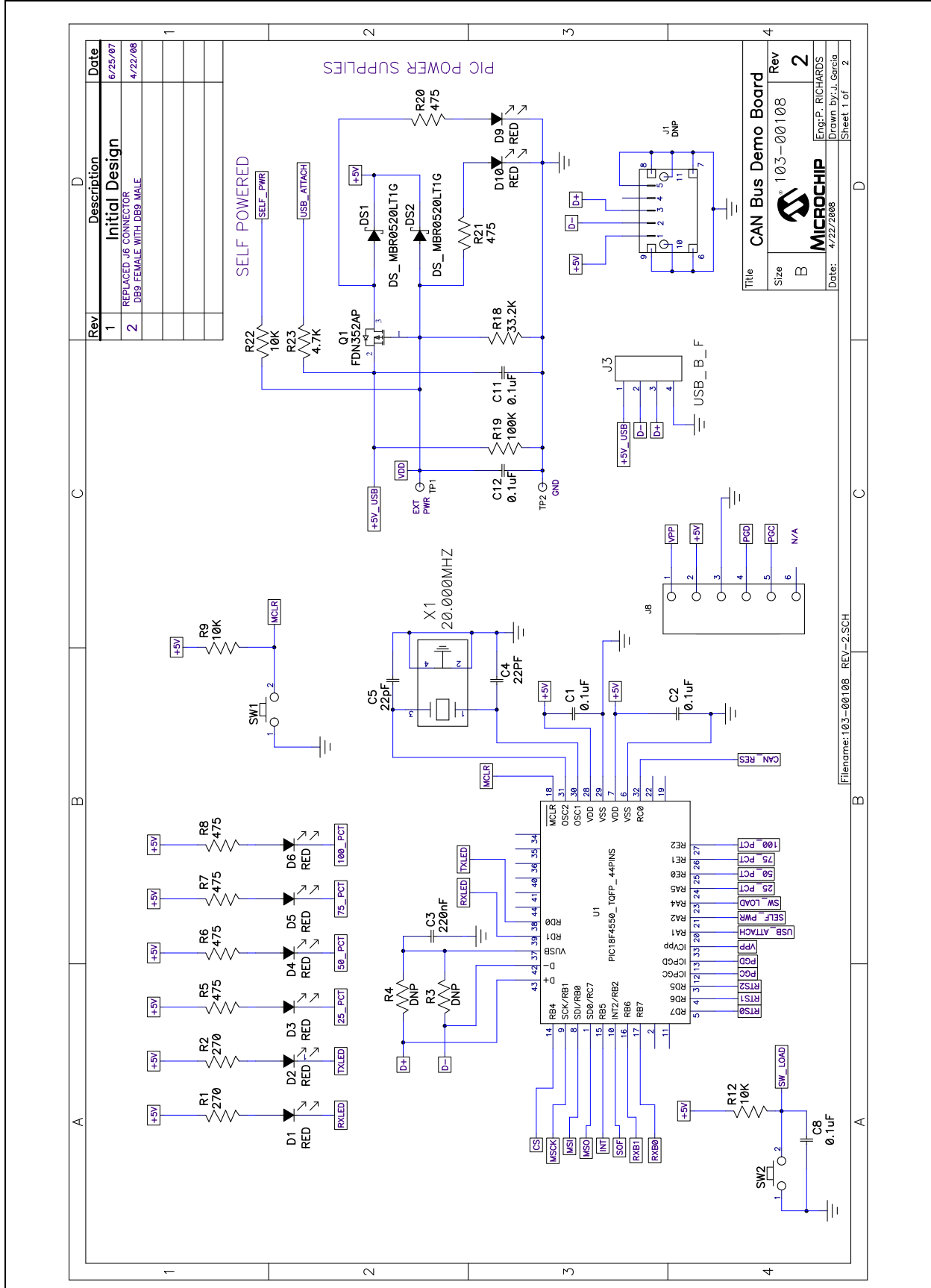
A.1 INTRODUCTION

This appendix contains the following schematics and layouts for the MCP2515 CAN Bus Monitor Demo Board:

- Board Schematic - Page 1
- Board Schematic - Page 2
- Board - Top Silk-screen Layer
- Board - Top Layer
- Board - Bottom Silk-screen Layer
- Board - Bottom Layer

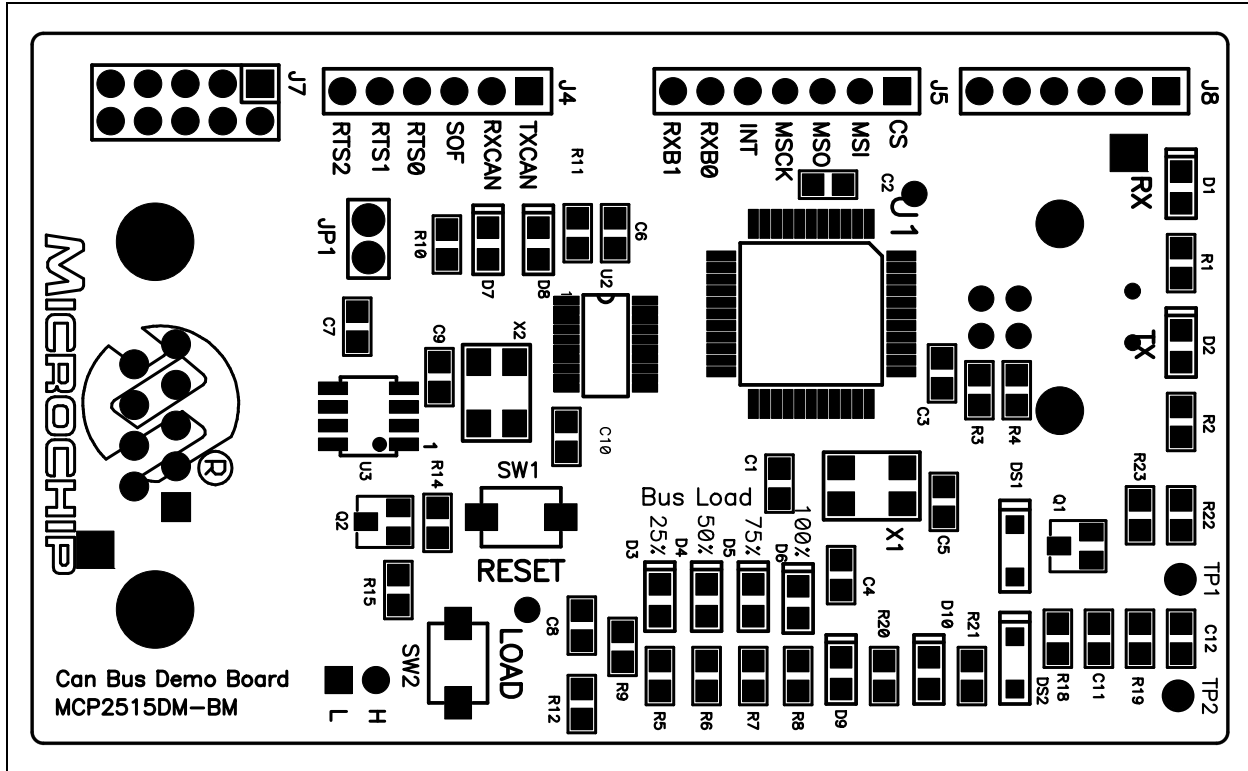
MCP2515 CAN Bus Monitor Demo Board User's Guide

A.2 BOARD SCHEMATIC - PAGE 1

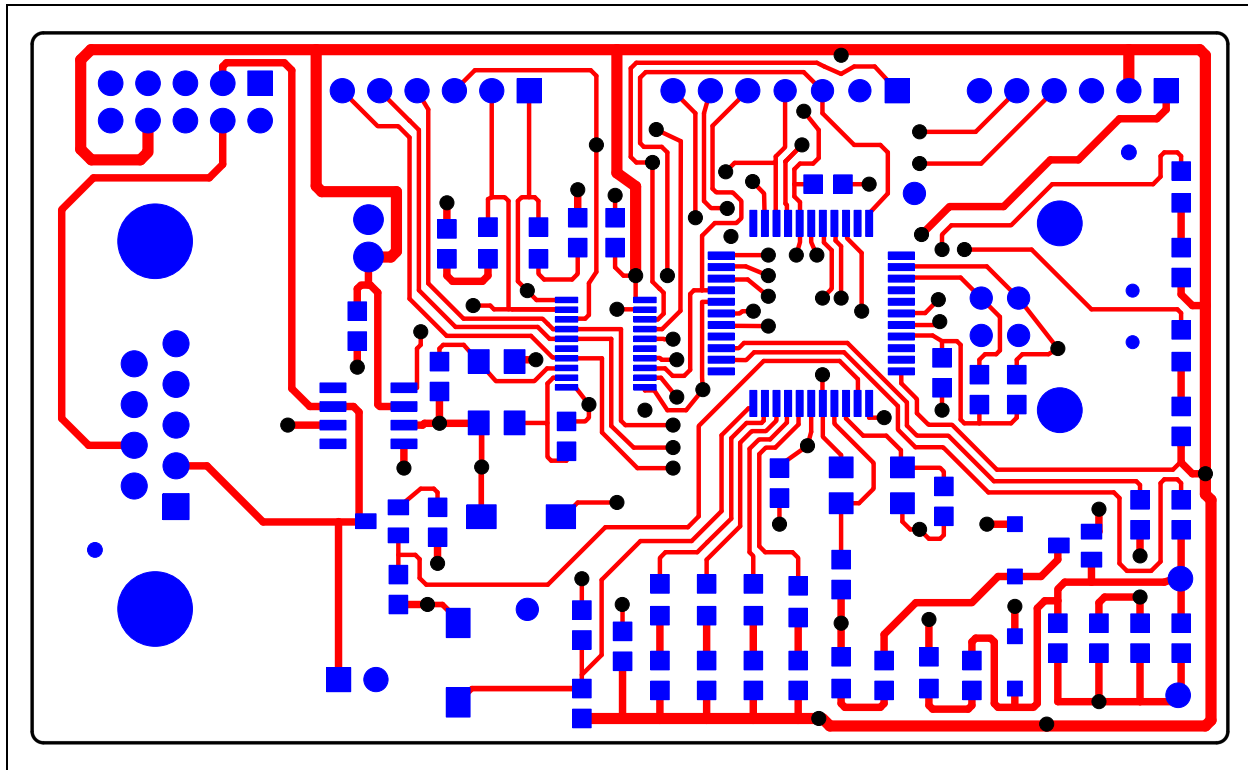


MCP2515 CAN Bus Monitor Demo Board User's Guide

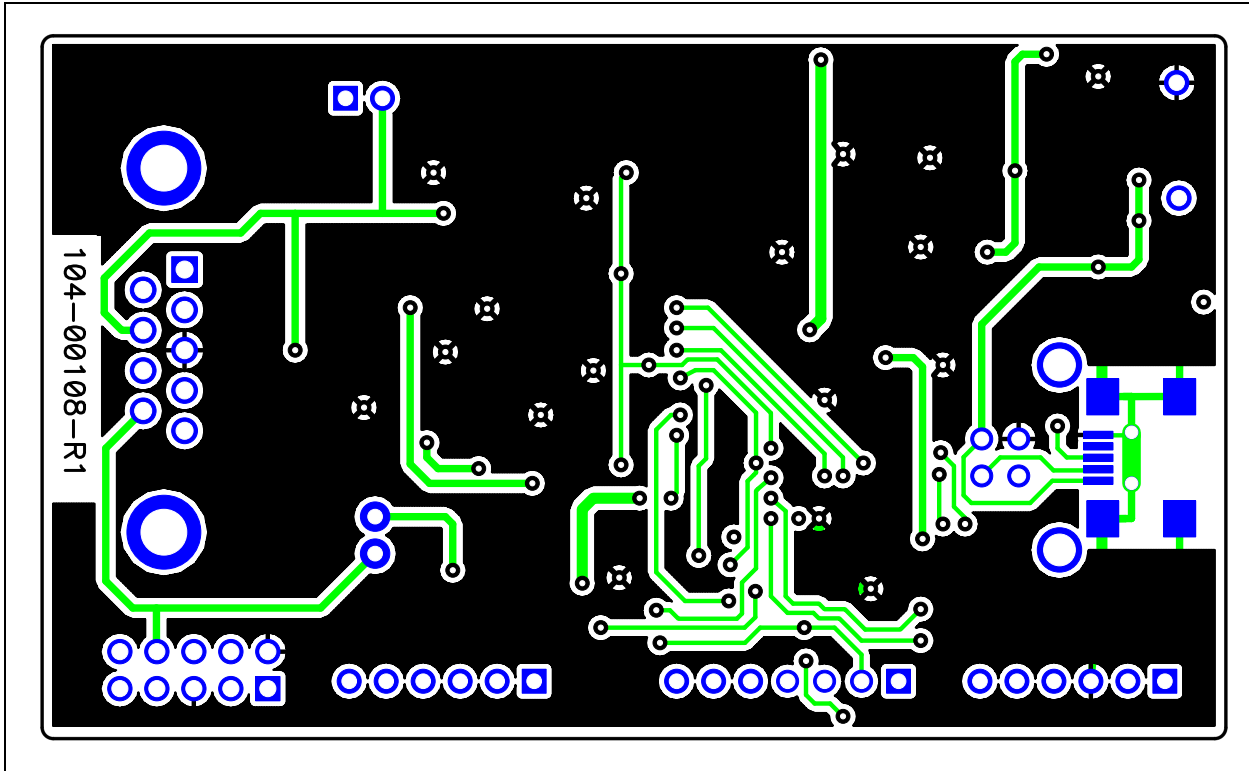
A.4 BOARD - TOP SILK-SCREEN LAYER



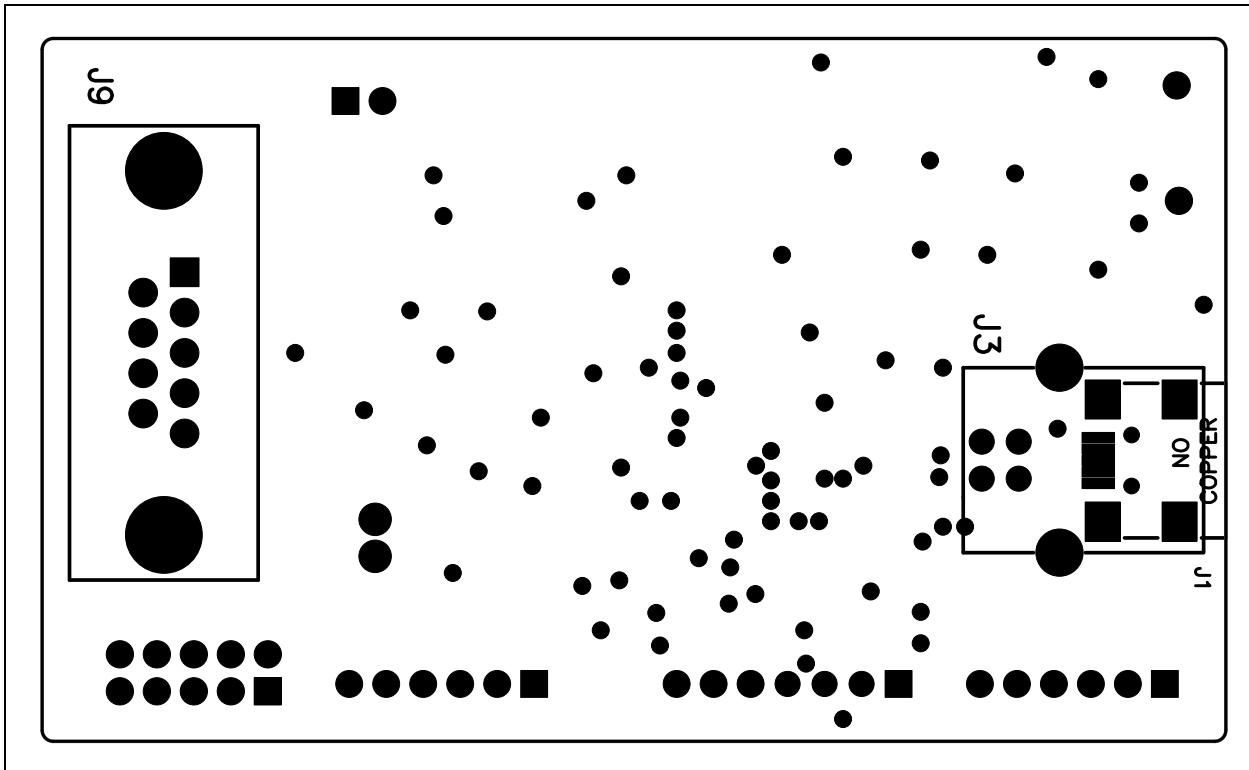
A.5 BOARD - TOP LAYER



A.6 BOARD - BOTTOM SILK-SCREEN LAYER



A.7 BOARD - BOTTOM LAYER



MCP2515 CAN Bus Monitor Demo Board User's Guide

NOTES:



MCP2515 CAN BUS MONITOR DEMO BOARD USER'S GUIDE

Appendix B. Bill Of Materials (BOM)

TABLE B-1: BILL OF MATERIALS (BOM)

Qty	Reference	Description	Manufacturer	Part Number
7	C1, C2, C6, C7, C8, C11, C12	CAP .10UF 50V CERAMIC X7R 0805	Kemet Electronics®	C0805C104K5RACTU
1	C3	CAP .22UF 16V CERAMIC X7R 0805	Panasonic	ECJ-2VB1C224K
4	C4, C5, C9, C10	CAP CERAMIC 22PF 50V NP0 0805	Yageo®	CC0805JRNP09BN220
10	D1<->D10	LED THIN 635NM RED DIFF 0805 SMD	Lumex® Inc.	SML-LXT0805IW-TR
2	DS1, DS2	DIODE SCHOTTKY 20V 0.5A SOD123	ON Semiconductor®	MBR0520LT1G
1	J1	CONN RECEPT MINI USB2.0 5POS (mini USB)	Hirose Electronic Co Ltd	UX60-MB-5ST
0	J2	DO NOT POPULATE	—	—
0	J3	DO NOT POPULATE	—	—
2	J4, J8	CONN HEADER VERT 6POS .100 TIN	Tyco® Electronics/Amp	3-644695-6
1	J5	CONN HEADER VERT 7POS .100 TIN	Tyco Electronics/Amp	3-644695-7
0	J6	DO NOT POPULATE	—	—
1	J7	CONN HEADER LOPRO R/A 10POS 15AU	Tyco Electronics/Amp	103310-1
1	JP1	CONN HEADER VERT 2POS .100 TIN	Tyco Electronics/Amp	3-644695-2
1	PCB	RoHS Compliant Bare PCB, CAN Bus Monitor Demonstration Board	Microchip Technology Inc.	104-000108
2	Q1, Q2	(NDS352P) MPSFET P-CH -20V .5 OHM SSOT3	Fairchild Semiconductor®	NDS352P
4	R1, R2, R10, R11	RES 270 OHM 1/8W 5% 0805 SMD	Panasonic	ERJ-6GEYJ271V
0	R3, R4	DO NOT POPULATE	—	—
6	R5, R6, R7, R8, R20, R21	RES 470 OHM 1/8W 5% 0805 SMD	Panasonic	ERJ-6GEYJ471V
3	R9, R12, R22	RES 10K OHM 1/8W 5% 0805 SMD	Panasonic	ERJ-6GEYJ103V
1	R14	RES 120 OHM 1/8W 5% 0805 SMD	Panasonic	ERJ-6GEYJ121V
2	R15, R18	RES 33.2K OHM 1/8W 1% 0805 SMD	Panasonic	ERJ-6ENF3322V
1	R19	RES 100K OHM 1/8W 1% 0805 SMD	Panasonic	ERJ-6ENF1003V
1	R23	RES 4.7K OHM 1/8W 5% 0805 SMD	Panasonic	ERJ-6GEYJ472V
2	SW1, SW2	SWITCH LT TOUCH 6X3.5 100GF SMD	Panasonic - ECG	EVQ-PJS04K

Note: The components listed in this Bill of Materials are representative of the PCB assembly. The released BOM used in manufacturing uses all RoHS-compliant components.

MCP2515 CAN Bus Monitor Demo Board User's Guide

TABLE B-1: BILL OF MATERIALS (BOM) (CONTINUED)

Qty	Reference	Description	Manufacturer	Part Number
1	Test Point GND	TEST POINT PC MULTI PURPOSE BLK	Keystone Electronics®	5011
1	Test Point VDD	TEST POINT PC MULTI PURPOSE RED	Keystone Electronics	5010
1	U1	PIC18F4550 High-Performance, Enhanced Flash, USB Microcontroller with nanoWatt Technology	Microchip Technology Inc.	PIC18F4550-I/PT
1	U2	Stand-alone Controller Area Network (CAN) controller	Microchip Technology Inc.	MCP2515-I/ST
1	U3	High-Speed CAN Transceiver	Microchip Technology Inc.	MCP2551-I/SN
2	X1, X2	CRYSTAL 20.000MHZ 18PF FUND SMD	Abracon Corp.	ABM3B-20.000MHZ-B2-T

Note: The components listed in this Bill of Materials are representative of the PCB assembly. The released BOM used in manufacturing uses all RoHS-compliant components.

TABLE B-2: PARTS FOR RIBBON CABLE ASSEMBLY

Qty	Reference	Description	Manufacturer	Part Number
1	Cable	CABLE 10 COND 100FT FLAT, GREY	3M/ESD	3365/10(300SF)
2	P2,P3	CONN IDC SKT 10POS W/POL 15 GOLD	AMP/Tyco Electronics	1658621-1
2	P2,P3	PULL TAB LOOP 10POS SOCKET CONN (P2 P3)	Tyco Electronics/Amp	88450-2
2	P2,P3	STRAIN RELIEF 10POS SOCKET CONN	Tyco Electronics/Amp	499252-5
1	DB9 Conn	CONN DB9 FEMALE PLASTIC SHELL	Assmann Electronics Inc	A-DFF09LP111/FP-R
1	Mini USB Cable	NOTE: This Item Is packaged with Kit USB A Male to Mini USB B 5 pin Cable - 3ft http://store.ktusasys.com/usbmatomib5p1.html		KT143-3

Note: The components listed in this Bill of Materials are representative of the PCB assembly. The released BOM used in manufacturing uses all RoHS-compliant components.

Bill Of Materials (BOM)

NOTES:



WORLDWIDE SALES AND SERVICE

AMERICAS

Corporate Office
2355 West Chandler Blvd.
Chandler, AZ 85224-6199
Tel: 480-792-7200
Fax: 480-792-7277
Technical Support:
<http://support.microchip.com>
Web Address:
www.microchip.com

Atlanta
Duluth, GA
Tel: 678-957-9614
Fax: 678-957-1455

Boston
Westborough, MA
Tel: 774-760-0087
Fax: 774-760-0088

Chicago
Itasca, IL
Tel: 630-285-0071
Fax: 630-285-0075

Dallas
Addison, TX
Tel: 972-818-7423
Fax: 972-818-2924

Detroit
Farmington Hills, MI
Tel: 248-538-2250
Fax: 248-538-2260

Kokomo
Kokomo, IN
Tel: 765-864-8360
Fax: 765-864-8387

Los Angeles
Mission Viejo, CA
Tel: 949-462-9523
Fax: 949-462-9608

Santa Clara
Santa Clara, CA
Tel: 408-961-6444
Fax: 408-961-6445

Toronto
Mississauga, Ontario,
Canada
Tel: 905-673-0699
Fax: 905-673-6509

ASIA/PACIFIC

Asia Pacific Office
Suites 3707-14, 37th Floor
Tower 6, The Gateway
Harbour City, Kowloon
Hong Kong
Tel: 852-2401-1200
Fax: 852-2401-3431

Australia - Sydney
Tel: 61-2-9868-6733
Fax: 61-2-9868-6755

China - Beijing
Tel: 86-10-8528-2100
Fax: 86-10-8528-2104

China - Chengdu
Tel: 86-28-8665-5511
Fax: 86-28-8665-7889

China - Hong Kong SAR
Tel: 852-2401-1200
Fax: 852-2401-3431

China - Nanjing
Tel: 86-25-8473-2460
Fax: 86-25-8473-2470

China - Qingdao
Tel: 86-532-8502-7355
Fax: 86-532-8502-7205

China - Shanghai
Tel: 86-21-5407-5533
Fax: 86-21-5407-5066

China - Shenyang
Tel: 86-24-2334-2829
Fax: 86-24-2334-2393

China - Shenzhen
Tel: 86-755-8203-2660
Fax: 86-755-8203-1760

China - Wuhan
Tel: 86-27-5980-5300
Fax: 86-27-5980-5118

China - Xiamen
Tel: 86-592-2388138
Fax: 86-592-2388130

China - Xian
Tel: 86-29-8833-7252
Fax: 86-29-8833-7256

China - Zhuhai
Tel: 86-756-3210040
Fax: 86-756-3210049

ASIA/PACIFIC

India - Bangalore
Tel: 91-80-4182-8400
Fax: 91-80-4182-8422

India - New Delhi
Tel: 91-11-4160-8631
Fax: 91-11-4160-8632

India - Pune
Tel: 91-20-2566-1512
Fax: 91-20-2566-1513

Japan - Yokohama
Tel: 81-45-471- 6166
Fax: 81-45-471-6122

Korea - Daegu
Tel: 82-53-744-4301
Fax: 82-53-744-4302

Korea - Seoul
Tel: 82-2-554-7200
Fax: 82-2-558-5932 or
82-2-558-5934

Malaysia - Kuala Lumpur
Tel: 60-3-6201-9857
Fax: 60-3-6201-9859

Malaysia - Penang
Tel: 60-4-227-8870
Fax: 60-4-227-4068

Philippines - Manila
Tel: 63-2-634-9065
Fax: 63-2-634-9069

Singapore
Tel: 65-6334-8870
Fax: 65-6334-8850

Taiwan - Hsin Chu
Tel: 886-3-572-9526
Fax: 886-3-572-6459

Taiwan - Kaohsiung
Tel: 886-7-536-4818
Fax: 886-7-536-4803

Taiwan - Taipei
Tel: 886-2-2500-6610
Fax: 886-2-2508-0102

Thailand - Bangkok
Tel: 66-2-694-1351
Fax: 66-2-694-1350

EUROPE

Austria - Wels
Tel: 43-7242-2244-39
Fax: 43-7242-2244-393

Denmark - Copenhagen
Tel: 45-4450-2828
Fax: 45-4485-2829

France - Paris
Tel: 33-1-69-53-63-20
Fax: 33-1-69-30-90-79

Germany - Munich
Tel: 49-89-627-144-0
Fax: 49-89-627-144-44

Italy - Milan
Tel: 39-0331-742611
Fax: 39-0331-466781

Netherlands - Drunen
Tel: 31-416-690399
Fax: 31-416-690340

Spain - Madrid
Tel: 34-91-708-08-90
Fax: 34-91-708-08-91

UK - Wokingham
Tel: 44-118-921-5869
Fax: 44-118-921-5820