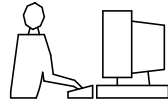


THIS IS A C.A.D. GENERATED DRAWING  
DO NOT MAKE MANUAL REVISIONS TO MASTER.

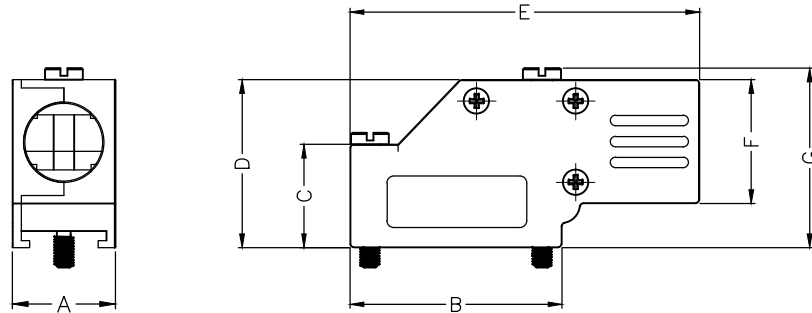
BACKSHELL KIT INCLUDES:

- (2) BACKSHELL HALVES
- (3) HOUSING SCREWS
- (1) 4-40 LONG THUMBSCREWS
- (1) 4-40 SHORT THUMBSCREWS
- (1) SET OF COMPRESSION INSERTS-VARIOUS SIZES

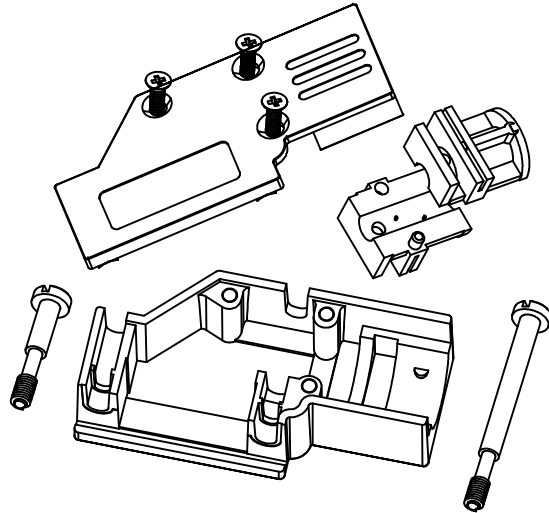
DIAMETERS 4mm(.157"), 5mm(.167"), 7mm(.276"), 9mm(.354")



\* UNLESS OTHERWISE SPECIFIED TOLERANCES  
ON DECIMAL IS: ANGLE  $\pm 1^\circ$   
UNIT: MM .XX  $\pm 0.35$



DIMENSIONS(mm/in)							
SIZE	A $\pm 1.20$ $\pm 0.047$	B $\pm 1.20$ $\pm 0.047$	C $\pm 0.80$ $\pm 0.031$	D $\pm 0.80$ $\pm 0.031$	E $\pm 0.80$ $\pm 0.031$	F $\pm 0.80$ $\pm 0.031$	G $\pm 0.80$ $\pm 0.031$
9	15.0	30.8	15.0	24.4	50.8	18.0	26.2
	0.59	1.21	0.59	0.96	2.0	0.71	1.03
25	15.8	53.3	23.1	34.5	72.4	24.3	36.6
	0.62	2.10	0.91	1.36	2.85	0.96	1.44



ORDERING INFORMATION:

SIZE	P/N - KITTED	PRODUCT CODE
9-WAY	6560-0501-01	MHDCMR-09-RA-K
25-WAY	6560-0501-03	MHDCMR-25-RA-K

SIZE	P/N - KITTED	PRODUCT CODE
9-WAY	6561-0501-01	MHDCMR-09-RA
25-WAY	6561-0501-03	MHDCMR-25-RA

BACKSHELL: MATERIAL:  
PLATING:  
4-40 THUMBSCREWS:  
HOUSING SCREWS:  
COMPRESSION INSERT:  
OPERATING TEMP:

DIE CAST ZINC ALLOY  
NICKEL PLATED  
STEEL-Zn PLATED  
STEEL-Zn PLATED  
ABS,UL RECOGNIZED  
-40°C TO+120°C



THIS SERIES FULLY CONFORMS TO THE  
EUROPEAN UNION DIRECTIVES 2002/95/EC  
AND 2002/96/EC FOR RoHS COMPLIANCY.



THESE DRAWINGS AND SPECIFICATIONS ARE THE  
PROPERTY OF MH CONNECTORS LTD. AND SHALL NOT  
BE REPRODUCED, COPIED OR USED AS THE BASIS FOR  
THE MANUFACTURE OR SALE OF APPARATUS WITHOUT  
WRITTEN PERMISSION.

DRAWN  
JOHNNY

DATE  
02-24-13

APPROVED  
DAMIEN

DATE  
03-10-14

SCALE  
1:1

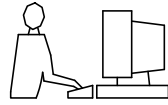
SHEET OF  
1 OF 1

REV:  
3.0

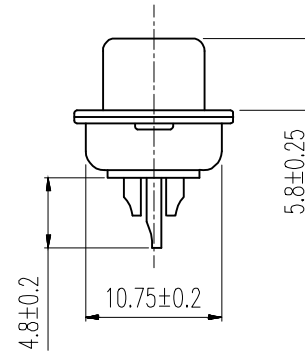
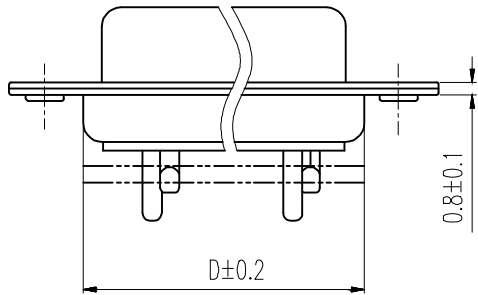
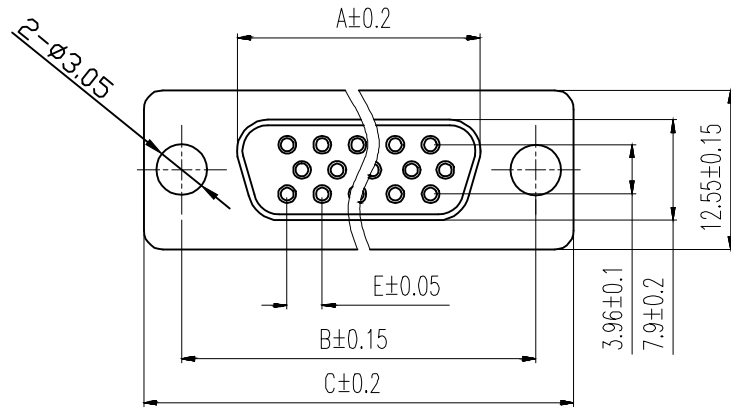
MH CONNECTORS LTD.

DRAWING No  
MHDCMR-XX-RA-K

THIS IS A C.A.D. GENERATED DRAWING  
DO NOT MAKE MANUAL REVISIONS TO MASTER.



\* UNLESS OTHERWISE SPECIFIED TOLERANCES  
ON DECIMAL IS: ANGLE  $\pm 1^\circ$   
.X  $\pm 0.20$   
.XX  $\pm 0.15$   
.XXX  $\pm 0.05$



Order Codes:

Socket Connector

Stamped & Formed

15-WAY	MHHDS-15-F-N-B-S
26-WAY	MHHDS-26-F-N-B-S
44-WAY	MHHDS-44-F-N-B-S
62-WAY	MHHDS-62-F-N-B-S

POS.	A	B	C	D	E
15	16.33	24.99	30.80	19.28	2.29
26	24.85	33.32	39.10	27.75	2.29
44	38.38	47.04	53.00	41.30	2.29
62	54.86	63.50	69.30	57.40	2.41

Remark:

1.MATERIAL:

Plastic:PBT+30% G.F (UL94V-0) BLACK

Spcc shell:Spcc front shell is nickel plated back shell is nickel plated

THESE DRAWINGS AND SPECIFICATIONS ARE THE PROPERTY OF MH CONNECTORS AND SHALL NOT BE REPRODUCED, COPIED OR USED AS THE BASIS FOR THE MANUFACTURE OR SALE OF APPARATUS WITHOUT WRITTEN PERMISSION.

DRAWN  
IVEN Ou  
DATE  
08-18-22

APPROVED  
DATE

SCALE  
1 : 1  
SHEET OF  
1 OF 1  
REV:  
2.0

DRAWING No  
MHHDS-XX-F-N-B-S



THIS SERIES FULLY CONFORMS TO THE  
EUROPEAN UNION DIRECTIVES 2002/95/EC  
AND 2002/96/EC FOR RoHS COMPLIANCY.



MH CONNECTORS,  
DIVISION OF EDAC