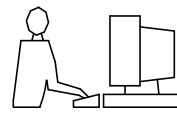


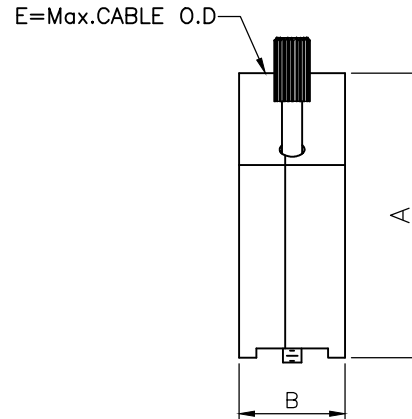
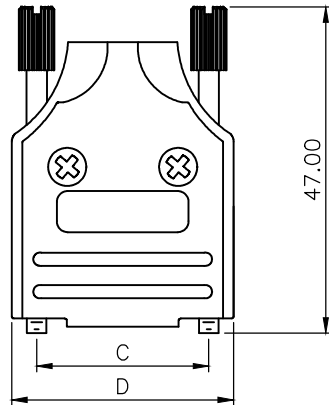
THIS IS A C.A.D. GENERATED DRAWING
DO NOT MAKE MANUAL REVISIONS TO MASTER.



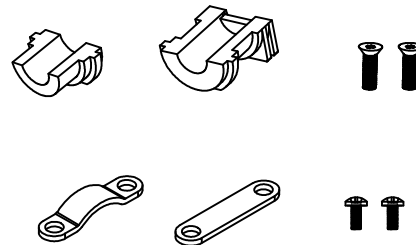
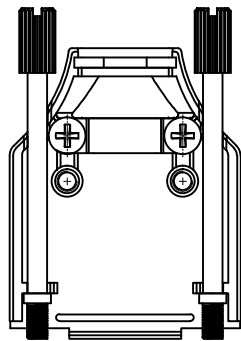
* UNLESS OTHERWISE SPECIFIED TOLERANCES
ON DECIMAL IS: ANGLE $\pm 1^\circ$
UNIT: MM .XX ± 0.50

BACKSHELL KIT INCLUDES:

- (2)BACKSHELL HALVES
- (1)GROMMET
- (2)JACKSCREWS
- (2)SHELLSCREWS
- (2)CLAMPSCREWS
- (1)METAL CLAMP
- (1)METAL CLAMP FLAT



DIMENSIONS(mm/in)					
SIZE	A $\pm_{\substack{.30 \\ .012}}$	B $\pm_{\substack{.50 \\ .020}}$	C $\pm_{\substack{.25 \\ .010}}$	D $\pm_{\substack{1.3 \\ .051}}$	E
9	41.3	15.4	24.99	32.2	13.0
	1.626	0.606	0.984	1.268	0.512
15	43.3	15.4	33.32	40.6	13.0
	1.705	0.606	1.312	1.598	0.512
25	49.5	15.4	47.04	54.5	13.0
	1.949	0.606	1.852	2.146	0.512
37	54.3	15.4	63.50	70.7	13.0
	2.138	0.606	2.500	2.783	0.512



BACKSHELL MATERIAL:
PLATING:
GROMMET:
COLOR
SCREW:
CLAMP:
OPERATING TEMP:

DIE CAST ZINC ALLOY
NICKEL PLATED
THERMOPLASTIC ABS
NATURAL NICKEL PLATED
STEEL, ZINC PLATED
STEEL, SHEET, NICKEL PLATED
-40°C TO +120°C

ORDERING INFORMATION:

SIZE	P/N - KITTED	PRODUCT CODE
9-WAY	6560-0136-01	MHDM-9-K
15-WAY	6560-0136-02	MHDM-15-K
25-WAY	6560-0136-03	MHDM-25-K
37-WAY	6560-0136-04	MHDM-37-K

THESE DRAWINGS AND SPECIFICATIONS ARE THE PROPERTY OF MH CONNECTORS AND SHALL NOT BE REPRODUCED, COPIED OR USED AS THE BASIS FOR THE MANUFACTURE OR SALE OF APPARATUS WITHOUT WRITTEN PERMISSION.

DRAWN Johnny DATE 11-24-15

APPROVED Victor Lin DATE 11-24-15

SCALE 1 : 1 SHEET OF 1 OF 1 REV: 4.0

DRAWING No MHDM-XX-K

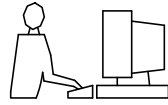


THIS SERIES FULLY CONFORMS TO THE EUROPEAN UNION DIRECTIVES 2002/95/EC AND 2002/96/EC FOR RoHS COMPLIANCY.

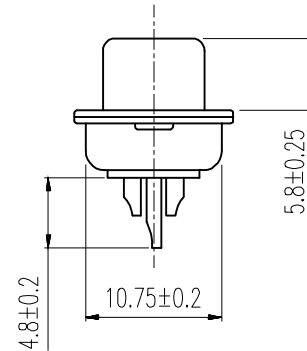
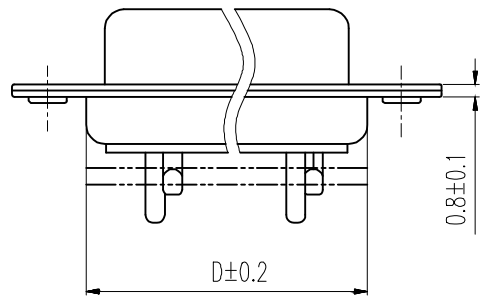
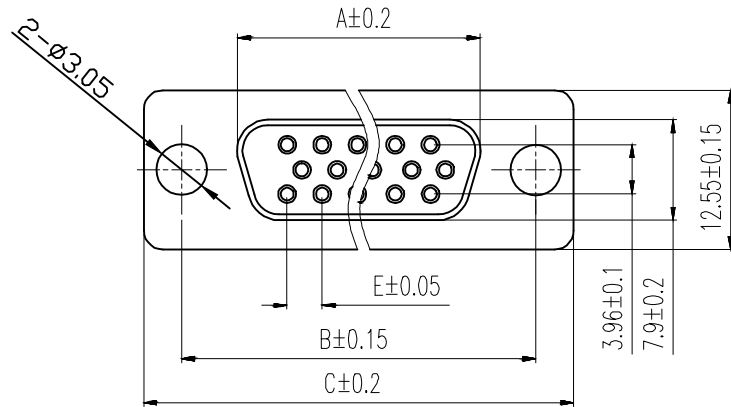


**MH CONNECTORS ,
DIVISION OF EDAC**

THIS IS A C.A.D. GENERATED DRAWING
DO NOT MAKE MANUAL REVISIONS TO MASTER.



* UNLESS OTHERWISE SPECIFIED TOLERANCES
ON DECIMAL IS: ANGLE ± 1°
.X ± 0.20
.XX ± 0.15
.XXX ± 0.05



Order Codes:

Socket Connector

Stamped & Formed

15-WAY	MHHDS-15-F-N-B-S
26-WAY	MHHDS-26-F-N-B-S
44-WAY	MHHDS-44-F-N-B-S
62-WAY	MHHDS-62-F-N-B-S

POS.	A	B	C	D	E
15	16.33	24.99	30.80	19.28	2.29
26	24.85	33.32	39.10	27.75	2.29
44	38.38	47.04	53.00	41.30	2.29
62	54.86	63.50	69.30	57.40	2.41

Remark:

1.MATERIAL:

Plastic:PBT+30% G.F (UL94V-0) BLACK

Spcc shell:Spcc front shell is nickel plated back shell is nickel plated

THESE DRAWINGS AND SPECIFICATIONS ARE THE PROPERTY OF MH CONNECTORS AND SHALL NOT BE REPRODUCED, COPIED OR USED AS THE BASIS FOR THE MANUFACTURE OR SALE OF APPARATUS WITHOUT WRITTEN PERMISSION.

DRAWN
IVEN Ou
DATE
08-18-22

APPROVED
DATE

SCALE
1 : 1
SHEET OF
1 OF 1
REV:
2.0

DRAWING No
MHHDS-XX-F-N-B-S



THIS SERIES FULLY CONFORMS TO THE
EUROPEAN UNION DIRECTIVES 2002/95/EC
AND 2002/96/EC FOR RoHS COMPLIANCY.



MH CONNECTORS,
DIVISION OF EDAC