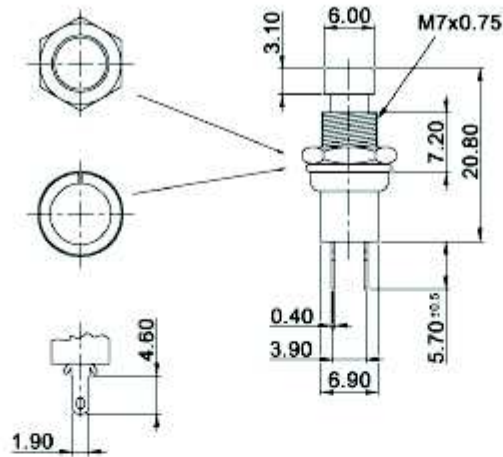


knitter-switch



x	Button colour
W	white
K	black
R	red
Y	yellow
G	green

Specifications:

Contact rating: 0.65 A, 30 V DC; 1 A, 125 V AC
 Contact resistance: 20 mOhm max.
 Insulation resistance: 100 MOhm min.
 Dielectric strength: 1500 V AC
 Operating temperature: -20°C to +60°C
 Storage temperature: -20°C to +60°C
 Mechanical life: 100 000 cycles min.
 Electrical life: 50 000 cycles min.
 Switching function: off - mom
 Material: Contact / terminal: bronze, silver plated
 Compliance: RohS II (2011/65/EU)

Tolerances: 0.00 to 10.00: ±0.20mm 10.01 to 20.00: ±0.25mm 20.01 to 30.00: ±0.30mm	Date	Name	MPS 29 Cx
	06/17	dr	
Temperatures	07/17	dr	
Modifications	Date	Name	

knitter-switch

30 38 95

Page

1/1