

CLASSIFICATION	PRODUCT SPECIFICATION	No. DS-1740-2400-102	REV. 1.2
SUBJECT	CLASS 2 BLUETOOTH LOW ENERGY SINGLE MODE MODULE	PAGE	1 of 34
CUSTOMER'S CODE PAN1740	PANASONIC'S CODE ENW89846A1KF	DATE	22.04.2014

# Product Specification

Applicant / Manufacturer  
Hardware

Panasonic Industrial Devices Europe GmbH  
Zeppelinstrasse 19  
21337 Lüneburg  
Germany

Applicant / Manufacturer  
Software

Dialog Semiconductors

By purchase of any of products described in this document the customer accepts the document's validity and declares their agreement and understanding of its contents and recommendations. Panasonic reserves the right to make changes as required without notification.

Power Electronics R&D Center Wireless Connectivity Panasonic Industrial Devices Europe GmbH	APPROVED	CHECKED	DESIGNED
---	----------	---------	----------

CLASSIFICATION	PRODUCT SPECIFICATION	No. DS-1740-2400-102	REV. 1.2
SUBJECT	CLASS 2 BLUETOOTH LOW ENERGY SINGLE MODE MODULE	PAGE	2 of 34
CUSTOMER'S CODE PAN1740	PANASONIC'S CODE ENW89846A1KF	DATE	22.04.2014

## TABLE OF CONTENTS

1	Key Features.....	4
2	Bluetooth Low Energy .....	4
3	Description for the Module.....	4
4	Block Diagram.....	5
4.1	PAN1740.....	5
4.2	Bluetooth IC .....	5
5	System Overview .....	6
5.1	ARM Cortex M0 CPU .....	6
5.2	Bluetooth Smart .....	6
5.2.1	BLE Core .....	6
5.2.2	Smart Snippets .....	7
5.2.3	Memory.....	7
5.2.4	Functional Modes.....	8
5.2.5	Power Modes.....	8
6	Terminal Layout .....	9
7	Terminal Description .....	9
8	Interfaces .....	10
8.1	UART .....	10
8.2	SPI+.....	11
8.3	I <sup>2</sup> C.....	11
8.4	General Purpose (GP) ADC .....	12
8.5	Quadrature Decoders.....	12
8.6	Keyboard Controller .....	13
8.7	Input/Output Ports .....	13
8.8	Timers.....	13
8.9	Reset .....	13
9	Specifications .....	14
10	Soldering Temperature-Time Profile (for reflow soldering).....	17
11	Module Dimension.....	18
12	FootPrint of the Module .....	19
13	Case Marking .....	20
14	Marking .....	20
15	Marking Definition .....	20
16	Mechanical Requirements .....	20
17	Reliability Tests .....	21
18	Cautions.....	21
19	Design Notes.....	21
20	Installation Notes.....	22
21	Usage Conditions Notes.....	22

CLASSIFICATION	PRODUCT SPECIFICATION	No. DS-1740-2400-102	REV. 1.2
SUBJECT	CLASS 2 BLUETOOTH LOW ENERGY SINGLE MODE MODULE	PAGE	3 of 34
CUSTOMER'S CODE PAN1740	PANASONIC'S CODE ENW89846A1KF	DATE	22.04.2014

22	Storage Notes .....	23
23	Safety Cautions .....	23
24	Other cautions .....	23
25	Packaging .....	25
26	Label for Package .....	26
27	Total Package .....	26
28	Ordering Information .....	27
29	RoHS and REACH Declaration .....	27
30	Data Sheet Status .....	28
31	History for this Document .....	28
32	Related Documents .....	28
33	General Information .....	29
34	Regulatory Information .....	29
35	FCC Notice .....	29
36	Caution .....	29
37	Labeling Requirements .....	30
38	Antenna Warning .....	30
39	Approved Antenna List .....	30
40	RF Exposure .....	30
41	Industry Canada Certification .....	31
42	IC Notice .....	31
43	Labeling Requirements .....	32
44	European R&TTE Declaration of Conformity .....	33
45	Bluetooth .....	34
46	Intrinsic safety .....	34
47	Life Support Policy .....	34

CLASSIFICATION	PRODUCT SPECIFICATION	No. DS-1740-2400-102	REV. 1.2
SUBJECT	CLASS 2 BLUETOOTH LOW ENERGY SINGLE MODE MODULE	PAGE	4 of 34
CUSTOMER'S CODE PAN1740	PANASONIC'S CODE ENW89846A1KF	DATE	22.04.2014

## 1 KEY FEATURES

- Pre-programmed BT/MAC Address
- Includes 16MHz and 32.768kHz crystal Crystal calibrated up to 1ppm
- Single-mode Bluetooth Smart System-on-Chip
- Programmable ARM CORTEX M0 CPU
- Autonomous BTLE Stand Alone Operation
- Bluetooth v4.1 (LE) embedded GATT profile – Low Energy Single Mode
- Small 9.0 x 9.5 x 1.8 mm SMD package with antenna
- Temperature Range from -40°C to +85°C
- Peak Power consumption 4.9mA Rx and Tx
- Less than a few µA in low power modes
- Link budget 93dBm (Rx Sensitivity -93, Tx 0 dBm)
- Integrated shielding to resist EMI
- No external components needed

## 2 BLUETOOTH LOW ENERGY

Bluetooth Low Energy (BLE), also called Bluetooth Smart, is a part of Bluetooth Ver. 4.0, BT v4.0 covers both BLE as well as Classic Bluetooth v2.1 and v3.0.

Bluetooth Low Energy (BLE) is not backwards compatible with previous Classic Bluetooth standards (v2.1+EDR or v3.0). Dual mode Bluetooth v4.0 is targeted to gateway products and backwards compatible, but is not practical for low power devices.

Bluetooth® 4.1 is an evolutionary update to the Bluetooth Core Specification. It rolls up adopted Bluetooth Core Specification Addenda (CSA1, 2, 3 & 4) while adding new features and benefits. Bluetooth 4.1 improves usability for consumers, empowers innovation for product developers and extends the technology's foundation as an essential link for the Internet of Things.

For more more details please see the BLUETOOTH® 4.1 QUICK REFERENCE GUIDE from Bluetooth SIG [1]



## 3 DESCRIPTION FOR THE MODULE

The PAN1740 is a short-range BLE single mode module for implementing Bluetooth functionality into various electronic devices.

PAN1740 is fully compliant with the Bluetooth V4.1 standard.

It includes dedicated hardware for the Link Layer implementation of Bluetooth®Smart and interface controllers for enhanced connectivity capabilities.

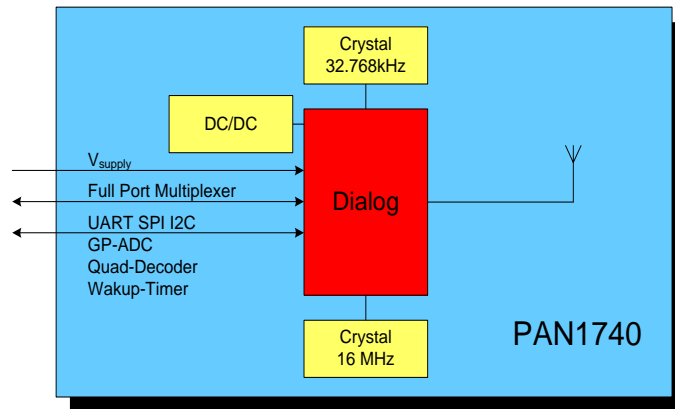
Please contact your local sales office for further details on additional options and services:

CLASSIFICATION	PRODUCT SPECIFICATION	No. DS-1740-2400-102	REV. 1.2
SUBJECT	CLASS 2 BLUETOOTH LOW ENERGY SINGLE MODE MODULE	PAGE	5 of 34
CUSTOMER'S CODE PAN1740	PANASONIC'S CODE ENW89846A1KF	DATE	22.04.2014

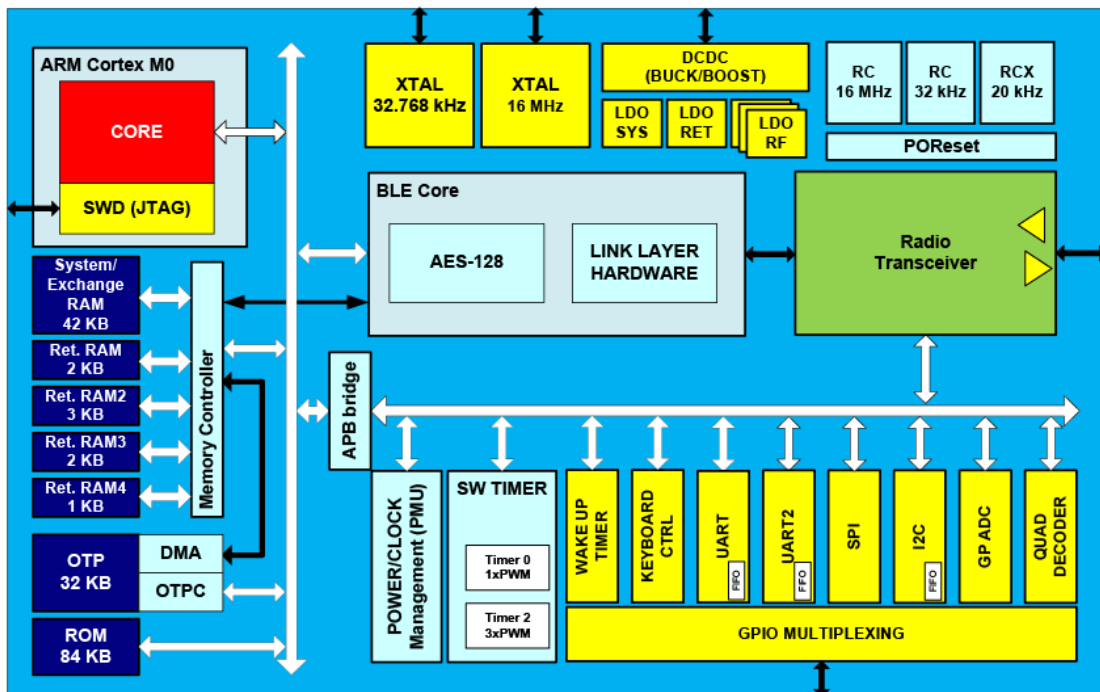
[www.panasonic.com/rfmodules](http://www.panasonic.com/rfmodules) for the US, <http://pideu.panasonic.de/products/wireless-modules.html> for EU or write an e-mail to [wireless@eu.panasonic.com](mailto:wireless@eu.panasonic.com).

#### 4 BLOCK DIAGRAM

##### 4.1 PAN1740



##### 4.2 BLUETOOTH IC



CLASSIFICATION	PRODUCT SPECIFICATION	No. DS-1740-2400-102	REV. 1.2
SUBJECT	CLASS 2 BLUETOOTH LOW ENERGY SINGLE MODE MODULE	PAGE	6 of 34
CUSTOMER'S CODE PAN1740	PANASONIC'S CODE ENW89846A1KF	DATE	22.04.2014

## 5 SYSTEM OVERVIEW

The PAN1740 contains the following internal blocks:

### 5.1 ARM CORTEX M0 CPU

The Cortex-M0 processor is a 32-bit Reduced Instruction Set Computing (RISC) processor with a von Neumann architecture (single bus interface). It uses an instruction set called Thumb, which was first supported in the ARM7TDMI processor; however, several newer instructions from the ARMv6 architecture and a few instructions from the Thumb-2 technology are also included. Thumb-2 technology extended the previous Thumb instruction set to allow all operations to be carried out in one CPU state. The instruction set in Thumb-2 includes both 16-bit and 32-bit instructions; most instructions generated by the C compiler use the 16-bit instructions, and the 32-bit instructions are used when the 16-bit version cannot carry out the required operations. This results in high code density and avoids the overhead of switching between two instruction sets.

In total, the Cortex-M0 processor supports 56 base instructions, although some instructions can have more than one form. While the instruction set is small, the Cortex-M0 processor is highly capable because the Thumb instruction set is highly optimized.

### 5.2 BLUETOOTH SMART

#### 5.2.1 BLE Core

The BLE (Bluetooth Low Energy) core is a qualified Bluetooth v4.1 baseband controller compatible with Bluetooth Smart specification and it is in charge of packet encoding-decoding and frame scheduling.

- Bluetooth Smart Specifications compliant according to the Specification of the Bluetooth System, v4.1, Bluetooth SIG.
- All device classes are supported -- Broadcast, Central, Observer, Peripheral)
- All packet types (Advertising / Data / Control)
- Encryption (AES / CCM)
- Bit stream processing (CRC, Whitening)
- FDMA / TDMA / events formatting and synchronization
- Frequency Hopping calculation
- Operating clock with internal 16 MHz
- Low power modes with internal 32.678 kHz
- Supports power down of the baseband during the protocol's idle periods.
- Advanced High performance Bus (AHB) Slave interface for register file access.
- AHB Slave interface for Exchange Memory access of CPU via BLE core.
- AHB Master interface for direct access of BLE core to Exchange Memory space

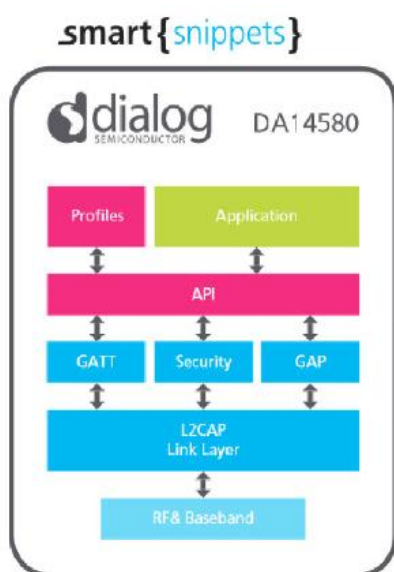
CLASSIFICATION	PRODUCT SPECIFICATION	No. DS-1740-2400-102	REV. 1.2
SUBJECT	CLASS 2 BLUETOOTH LOW ENERGY SINGLE MODE MODULE	PAGE	7 of 34
CUSTOMER'S CODE PAN1740	PANASONIC'S CODE ENW89846A1KF	DATE	22.04.2014

### 5.2.2 Smart Snippets

The PAN1740 is available together with Dialog's SmartSnippets™ Bluetooth Software platform which includes a qualified Bluetooth Smart single-mode stack on chip.

Numerous Bluetooth Smart profiles for consumer wellness, sport, fitness, security and proximity applications are supplied as standard, while additional customer profiles can be developed and added as needed.

The SmartSnippets™ software development environment is based on Keil™'s uVision mature tools and contains example application code for both embedded and hosted modes.



### 5.2.3 Memory

The following memories are part of the PAN1740's internal blocks:

**ROM.** This is a 84 kB ROM containing the Bluetooth Smart protocol stack as well as the boot code sequence.

**OTP.** This is a 32 kB One-Time Programmable memory array, used to store the application code as well as Bluetooth Smart profiles. It also contains the system configuration and calibration data.

**System SRAM.** This is a 42 kB system SRAM (Sys-RAM) which is primarily used for mirroring the program code from the OTP when the system wakes/powers up. It also serves as Data RAM for intermediate variables and various data that the protocol requires. Optionally, it can be used as extra memory space for the BLE TX and RX data structures.

**Retention RAMs.** These are 4 special low leakage SRAM cells (2 kB + 2 kB + 3 kB + 1 kB) used to store various data of the Bluetooth Smart protocol as well as the system's global variables and processor stack when the system goes into Deep Sleep mode. Storage of this data ensures secure and quick configuration of the BLE Core after the system wakes up. Every cell can be powered on or off according to the application needs for retention area when in Deep Sleep mode.

CLASSIFICATION	PRODUCT SPECIFICATION	No. DS-1740-2400-102	REV. 1.2
SUBJECT	CLASS 2 BLUETOOTH LOW ENERGY SINGLE MODE MODULE	PAGE	8 of 34
CUSTOMER'S CODE PAN1740	PANASONIC'S CODE ENW89846A1KF	DATE	22.04.2014

#### 5.2.4 Functional Modes

The PAN1740 is optimized for embedded applications such as health monitoring, sports measuring, human interaction devices, etc. Customers are able to develop and test their own applications. Upon completion of development, the application code can be programmed into the OTP. In general, the system has three functional modes of operation:

- A. Development Mode:** During this phase application code is developed using the ARM Cortex M0 SW environment. The compiled code is then downloaded into the System RAM or any Retention RAMs by means of SWD (JTAG) or any serial interface (e.g. UART). Address 0x00 is remapped to the physical memory that contains the code and the CPU is configured to reset and execute code from the remapped device. This mode enables application development, debugging and on-the-fly testing.
- B. Normal Mode:** After the application is completed and verified, the code can be burned into the OTP. When the system boots/wakes up, the DMA of the OTP controller will automatically copy the program code from the OTP into the system RAM. Next, a SW reset will remap address 0x00 to the System RAM and code execution is started. Hence, in this mode, the system is autonomous, contains the required SW in OTP and is ready for integration into the final product.
- C. Calibration Mode:** Programming the Bluetooth device address is completed in Calibration Mode.

#### 5.2.5 Power Modes

There are four different power modes in the PAN1740:

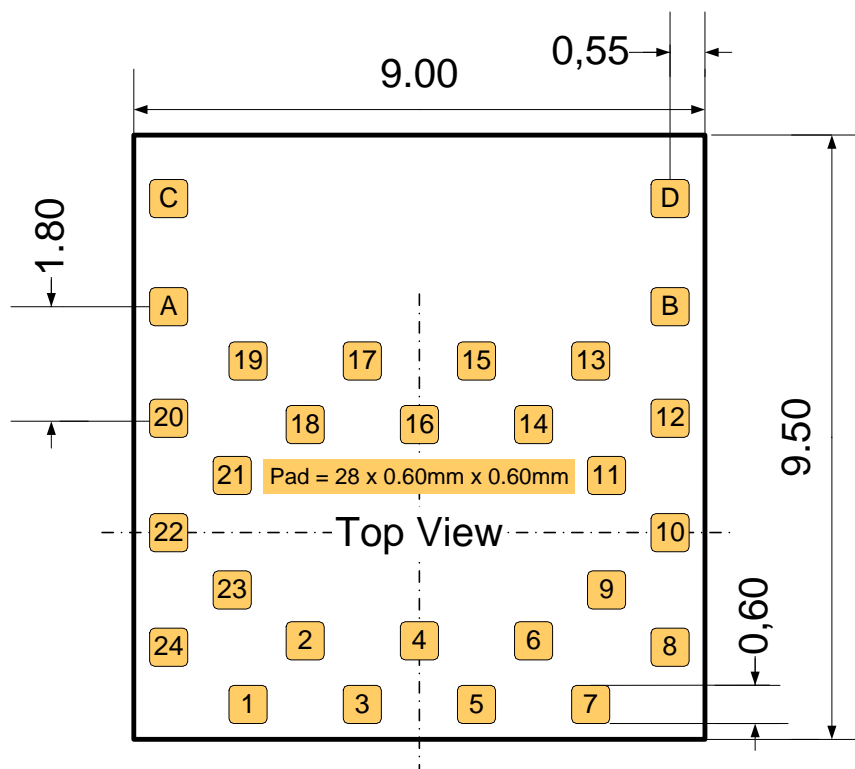
- Active Mode: System is active and operates at full speed.
- Sleep Mode: No power gating has been programmed, the ARM CPU is idle, waiting for an interrupt. PD\_SYS is on. PD\_PER and PED\_RAD depending on the programmed enabled value.
- Extended Sleep Mode: All power domains are off except for the PD\_AON, the programmed PD\_RRx and the PD\_SR. Since the SysRAM retains its data, no OTP mirroring is required upon waking up the system.
- Deep Sleep Mode: All power domains are off except for the PD\_AON and the programmed PD\_RRx. This mode dissipates the minimum leakage power. However, since the SysRAM has not retained its data, an OTP mirror action is required upon waking up the system.



CLASSIFICATION	PRODUCT SPECIFICATION	No. DS-1740-2400-102	REV. 1.2
SUBJECT	CLASS 2 BLUETOOTH LOW ENERGY SINGLE MODE MODULE	PAGE	9 of 34
CUSTOMER'S CODE PAN1740	PANASONIC'S CODE ENW89846A1KF	DATE	22.04.2014

## 6 TERMINAL LAYOUT

Top view, Application PCB



## 7 TERMINAL DESCRIPTION

PIN	Description		
1	GND		
2	RST	I	INPUT. Reset signal (active high).
3	P0.7	IO	General purpose I/O port bit or alternate function nodes.
4	P0.6	IO	General purpose I/O port bit or alternate function nodes.
5	P0.5	IO	General purpose I/O port bit or alternate function nodes. UART RX*
6	P0.4	IO	General purpose I/O port bit or alternate function nodes. UART TX*
7	GND		
8	VCC	AI	Power supply
9	P0.3	IO	General purpose I/O port bit or alternate function nodes. UART CTS*
10	P0.2	IO	General purpose I/O port bit or alternate function nodes. UART RTS*
11	P0.1	IO	General purpose I/O port bit or alternate function nodes.
12	P0.0	IO	General purpose I/O port bit or alternate function nodes.
13	n.c.		
14	VPP	AI	INPUT. This pin is used while OTP programming and testing. **
15	GND		
16	P1_4/SWCLK	IO	INPUT JTAG clock signal
17	GND		

CLASSIFICATION	PRODUCT SPECIFICATION	No. DS-1740-2400-102	REV. 1.2
SUBJECT	CLASS 2 BLUETOOTH LOW ENERGY SINGLE MODE MODULE	PAGE	10 of 34
CUSTOMER'S CODE PAN1740	PANASONIC'S CODE ENW89846A1KF	DATE	22.04.2014

18	P1_5/SW_DIO	IO	INPUT/OUTPUT. JTAG Data input/output.
19	GND		
20	GND		
21	P1.3	IO	General purpose I/O port bit or alternate function nodes.
22	P1.2	IO	General purpose I/O port bit or alternate function nodes.
23	P1.1	IO	General purpose I/O port bit or alternate function nodes.
24	P1.0	IO	General purpose I/O port bit or alternate function nodes.
A	GND		
B	GND		
C	GND		
D	GND		

For more detailed description of the alternate function nodes please refer to the Dialog Datasheet.

\*Dependent on the software configuration the UART can be set also to any other IO.

\*\* Supply voltage on pin VPP during OTP programming is 6.8V+/-0.25V

## 8 INTERFACES

### 8.1 UART

The UART is compliant to the industry-standard 16550 and is used for serial communication with a peripheral, modem (data carrier equipment, DCE) or data set. Data is written from a master (CPU) over the APB bus to the UART and it is converted to serial form and transmitted to the destination device. Serial data is also received by the UART and stored for the master (CPU) to read back. There is no DMA support on the UART block since it contains internal FIFOs. Both UARTs support hardware flow control signals (RTS, CTS, DTR, DSR).

#### Features

- 16 bytes Transmit and receive FIFOs.
- Hardware flow control support (CTS/RTS)
- Shadow registers to reduce software overhead and also include a software programmable reset
- Transmitter Holding Register Empty (THRE) interrupt mode
- IrDA 1.0 SIR mode supporting low power mode.
- Functionality based on the 16550 industry standard:
- Programmable character properties, such as number of data bits per character (5-8), optional
- parity bit (with odd or even select) and number of stop bits (1, 1.5 or 2)
- Line break generation and detection
- Prioritized interrupt identification
- Programmable serial data baud rate as calculated by the following: baud rate = (serial clock frequency)/(divisor).

CLASSIFICATION	PRODUCT SPECIFICATION	No. DS-1740-2400-102	REV. 1.2
SUBJECT	CLASS 2 BLUETOOTH LOW ENERGY SINGLE MODE MODULE	PAGE	11 of 34
CUSTOMER'S CODE PAN1740	PANASONIC'S CODE ENW89846A1KF	DATE	22.04.2014

## 8.2 SPI+

This interface supports a subset of the Serial Peripheral Interface SPI™. The serial interface can transmit and receive 8, 16 or 32 bits in master/slave mode and transmit 9 bits in master mode. The SPI+ interface has enhanced functionality with bidirectional 2x16-bit word FIFOs. SPI™ is a trademark of Motorola, Inc.

### Features

- Slave and Master mode
- 8 bit, 9 bit, 16 bit or 32 bit operation
- Clock speeds up to 16 MHz. Programmable output frequencies of SPI source clock divided by 1, 2, 4, 8
- SPI mode 0, 1, 2, 3 support. (clock edge and phase)
- Programmable SPI\_DO idle level
- Maskable Interrupt generation
- Bus load reduction by unidirectional writes-only and reads-only modes.
- Built-in RX/TX FIFOs for continuous SPI bursts.

## 8.3 I<sup>2</sup>C

The I<sup>2</sup>C is a programmable control bus that provides support for the communications link between Integrated Circuits in a system. It is a simple two-wire bus with a software-defined protocol for system control, which is used in temperature sensors and voltage level translators to EEPROMs, general-purpose I/O, A/D and D/A converters.

### Features

- Two-wire I<sup>2</sup>C serial interface consists of a serial data line (SDA) and a serial clock (SCL)
- Two speeds are supported:
- Standard mode (0 to 100 Kb/s)
- Fast mode (<= 400 Kb/s)
- Clock synchronization
- 32 deep transmit/receive FIFOs
- Master transmit, Master receive operation
- 7 or 10-bit addressing
- 7 or 10-bit combined format transfers
- Bulk transmit mode
- Default slave address of 0x055
- Interrupt or polled-mode operation
- Handles Bit and Byte waiting at both bus speeds
- Programmable SDA hold time

CLASSIFICATION	PRODUCT SPECIFICATION	No. DS-1740-2400-102	REV. 1.2
SUBJECT	CLASS 2 BLUETOOTH LOW ENERGY SINGLE MODE MODULE	PAGE	12 of 34
CUSTOMER'S CODE PAN1740	PANASONIC'S CODE ENW89846A1KF	DATE	22.04.2014

#### 8.4 GENERAL PURPOSE (GP) ADC

The PAN1740 is equipped with a high-speed ultra low power 10-bit general purpose Analog-to-Digital Converter (GPADC). It can operate in unipolar (single ended) mode as well as in bipolar (differential) mode. The ADC has its own voltage regulator (LDO) of 1.2 V, which represents the full scale reference voltage.

##### Features

- 10-bit dynamic ADC with 65 ns conversion time
- Maximum sampling rate 3.3 Msample/s
- Ultra low power (5  $\mu$ A typical supply current at 100 ksample/s)
- Single-ended as well as differential input with two input scales
- Four single-ended or two differential external input channels
- Battery monitoring function
- Chopper function
- Offset and zero scale adjust
- Common-mode input level adjust

#### 8.5 QUADRATURE DECODERS

This block decodes the pulse trains from a rotary encoder to provide the step and the direction of the movement of an external device. Three axes (X, Y, Z) are supported.

The integrated quadrature decoder can automatically decode the signals for the X, Y and Z axes of a HID input device, reporting step count and direction: the channels are expected to provide a pulse train with 90 degrees phase difference; depending on whether the reference channel is leading or lagging, the direction can be determined.

This block can be used for waking up the chip as soon as there is any kind of movement from the external device connected to it.

##### Features

- Three 16-bit signed counters that provide the step count and direction on each of the axes (X, Y and Z)
- Programmable system clock sampling at maximum 16 MHz.
- APB interface for control and programming
- Programmable source from P0, P1 ports
- Digital filter on the channel inputs to avoid spikes

CLASSIFICATION	PRODUCT SPECIFICATION	No. DS-1740-2400-102	REV. 1.2
SUBJECT	CLASS 2 BLUETOOTH LOW ENERGY SINGLE MODE MODULE	PAGE	13 of 34
CUSTOMER'S CODE PAN1740	PANASONIC'S CODE ENW89846A1KF	DATE	22.04.2014

## 8.6 KEYBOARD CONTROLLER

The keyboard controller can be used for debouncing the incoming GPIO signals when implementing a keyboard scanning engine. It generates an interrupt to the CPU (KEYBR\_IRQ). In parallel, five extra interrupt lines can be triggered by a state change on 32 selectable GPIOs (GPIOx\_IRQ).

### Features

- Monitors any of the 12 available GPIOs
- Generates a keyboard interrupt on key press or key release
- Implements debouncing time from 0 up to 63 ms
- Supports five separate interrupt generation lines from GPIO toggling

## 8.7 INPUT/OUTPUT PORTS

The PAN1740 has software-configurable I/O pin assignment, organized into ports Port 0, Port1.

### Features

- Port 0: 8 pins, Port 1: 6 pins (including SW\_CLK and SWDIO)
- Fully programmable pin assignment
- Selectable Push-pull or open drain per pin
- Selectable 25KOhm pull-up, pull-down resistors per pin
- Pull-up voltage VBAT3V (BUCK mode)
- Fixed assignment for analog pin ADC[3:0]
- Pins retain their last state when system enters the Extended or Deep Sleep mode.

## 8.8 TIMERS

For any software related description please refer to the according Dialog document.

## 8.9 RESET

The PAN1740 comprises an RST pad which is active high. It contains an RC filter for spikes suppression with 400 kΩ and 2.8 pF for the resistor and the capacitor respectively. It also contains a 25 kΩ pulldown resistor. This pad should be connected to ground if not needed by the application. The typical latency of the RST pad is in the range of 2 μs.

CLASSIFICATION	PRODUCT SPECIFICATION	No. DS-1740-2400-102	REV. 1.2
SUBJECT	CLASS 2 BLUETOOTH LOW ENERGY SINGLE MODE MODULE	PAGE	14 of 34
CUSTOMER'S CODE PAN1740	PANASONIC'S CODE ENW89846A1KF	DATE	22.04.2014

## 9 SPECIFICATIONS

**Table 3: Absolute maximum ratings**

Parameter	Description	Conditions	Min	Typ	Max	Unit
$V_{PIN(LIM)}$ (default)	limiting voltage on a pin	Voltage between GND and VBAT3V	-0.1		VBAT3V+0.2	V
$T_{STG}$	storage temperature		-50		150	°C
$t_{R(SUP)}$	supply rise time	Power supply rise time			100	ms
$V_{BAT(LIM)}$ (VBAT3V) *Note1	limiting battery supply voltage	Supply voltage on VBAT3V in a buck-converter application, pin VBAT1V is connected to ground	1.8/2.2 *Note1		3.45	V
$V_{ESD(HBM)}$ (WLCSP34)	electrostatic discharge voltage (Human Body Model)				2000	V
$V_{ESD(HBM)}$ (QFN48)	electrostatic discharge voltage (Human Body Model)				4000	V
$V_{ESD(MM)}$ (WLCSP34)	electrostatic discharge voltage (Machine Model)				175	V
$V_{ESD(CDM)}$ (WLCSP34)	electrostatic discharge voltage (Charged Device Model)				500	V

Note1: The BUCK mode of the DCDC can operate correctly with voltages in the range of 2.2V upto 3.3V. If the voltage drops below that, then the OTP might not be readable any more. However, if no OTP is used, then the system is able to further operate up to 1.8V.

CLASSIFICATION	PRODUCT SPECIFICATION	No. DS-1740-2400-102	REV. 1.2
SUBJECT	CLASS 2 BLUETOOTH LOW ENERGY SINGLE MODE MODULE	PAGE	15 of 34
CUSTOMER'S CODE PAN1740	PANASONIC'S CODE ENW89846A1KF	DATE	22.04.2014

**Table 4: Recommended operating conditions**

Parameter	Description	Conditions	Min	Typ	Max	Unit
V <sub>BAT</sub> (VBAT3V)	battery supply voltage	Supply voltage on VBAT3V in a buck-converter application, pin VBAT1V is connected to ground	2.35		3.3	V
V <sub>PIN</sub> (default)	voltage on a pin	Voltage between GND and VBAT3V	0		3.3	V
T <sub>A</sub>	ambient temperature		-40		85	°C
V <sub>PP</sub>	programming voltage	Supply voltage on pin VPP during OTP programming	6.55	6.8	7.05	V

**Table 5: DC characteristics**

Parameter	Description	Conditions	Min	Typ	Max	Unit
I <sub>BAT</sub> (DP_SLP)_BUCK_1kB	battery supply current	Typical buck-application in deep-sleep with 1kB retention RAM active. VBAT3V = 3V, running from RC32K oscillator at lowest frequency		0.4		μA
IBAT(DP_SLP)_BUCK_2kB	battery supply current	Typical buck-application in deep-sleep with 2kB retention RAM active. VBAT3V = 3V (Note 3)		0.45		μA
IBAT(DP_SLP)_BUCK_8kB	battery supply current	Typical buck-application in deep-sleep with 8kB retention RAM active. VBAT3V = 3V		0.6		μA
IBAT(EXT_SLP)_BUCK_43kB	battery supply current	Typical buck-application in extended-sleep mode with 42kB (SysRAM) and 1kB (RetRAM) retained		1.2		μA
IBAT(EXT_SLP)_BUCK_50kB	battery supply current	Typical buck-application in extended-sleep mode with 42kB (SysRAM) and 8kB (RetRAM) retained		1.4		μA
IBAT(ACT_RX)_BUCK	battery supply current	Typical application with buck converter and receiver active, VBAT3V = 3.0V		5.1		mA

CLASSIFICATION	PRODUCT SPECIFICATION	No. DS-1740-2400-102	REV. 1.2
SUBJECT	CLASS 2 BLUETOOTH LOW ENERGY SINGLE MODE MODULE	PAGE	16 of 34
CUSTOMER'S CODE PAN1740	PANASONIC'S CODE ENW89846A1KF	DATE	22.04.2014

IBAT(ACT_TX)_ BUCK	battery supply current	Typical application with buck converter and transmitter active, VBAT3V = 3.0V		4.8		mA
PBAT(DP_SLP)_ BUCK_1kB	battery power consumption	Typical boost-application in deep-sleep with 1kB retention RAM active, running from RC32K oscillator		1.2		μW
PBAT(ACT_RX)_ BUCK	battery power consumption	Typical application with buck converter, receive mode		15.5		mW
PBAT(ACT_TX)_ BUCK	battery power consumption	Typical application with buck converter, transmit mode		14.3		mW

**Table 8: 16 MHz Crystal Oscillator: Timing characteristics**

Parameter	Description	Conditions	Min	Typ	Max	Unit
t <sub>STA(XTAL)</sub> (16M)	crystal oscillator startup time		0.5	2	3	ms

**Table 10: 32 kHz Crystal Oscillator: Timing characteristics**

Parameter	Description	Conditions	Min	Typ	Max	Unit
t <sub>STA(XTAL)</sub> (32k)	crystal oscillator startup time	Typical application, time until 1000 clocks are detected		0.4		s

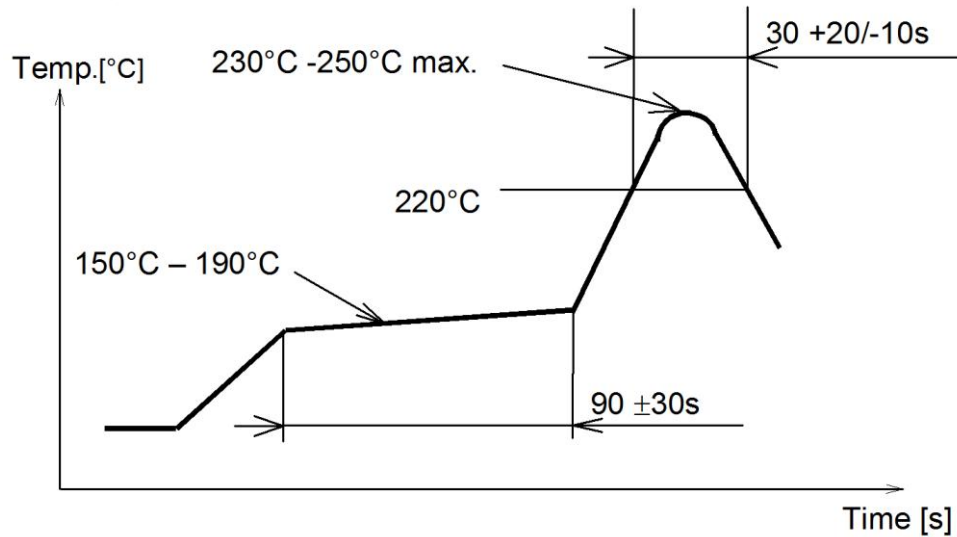
**Table 12: DC-DC converter: DC characteristics**

Parameter	Description	Conditions	Min	Typ	Max	Unit
V <sub>O</sub> (BUCK)	output voltage	default settings		1.41		V
η <sub>CONV_MAX</sub> (BUCK)	maximum conversion efficiency			86		%
ΔV <sub>O</sub> / ΔV <sub>I</sub> (BUCK)	line regulation	2.35V < VBAT3V < 3.3V	-2	0.7	2	%/V
ΔV <sub>O</sub> /ΔI <sub>L</sub> (BUCK)	load regulation	VBAT3V = 2.5V	-0.2	-0.02	0.2	%/mA
V <sub>RPL</sub> (BUCK)	ripple voltage	buck mode; RMS ripple voltage		5		mV



CLASSIFICATION	PRODUCT SPECIFICATION	No. DS-1740-2400-102	REV. 1.2
SUBJECT	CLASS 2 BLUETOOTH LOW ENERGY SINGLE MODE MODULE	PAGE	17 of 34
CUSTOMER'S CODE PAN1740	PANASONIC'S CODE ENW89846A1KF	DATE	22.04.2014

10 SOLDERING TEMPERATURE-TIME PROFILE (FOR REFLOW SOLDERING)

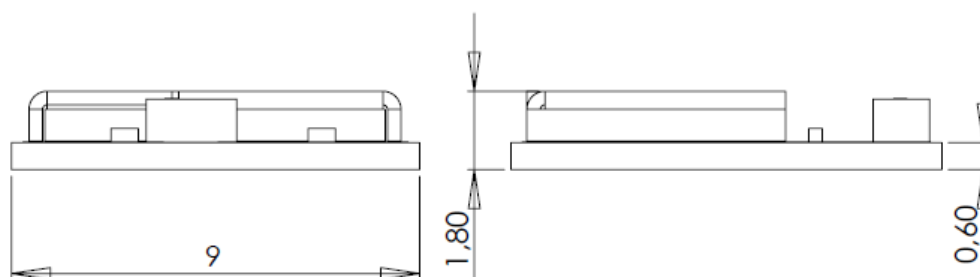
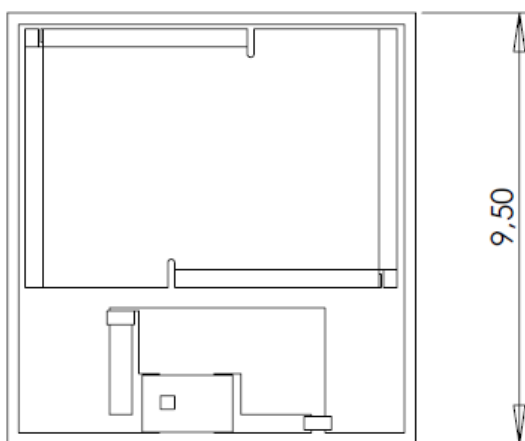
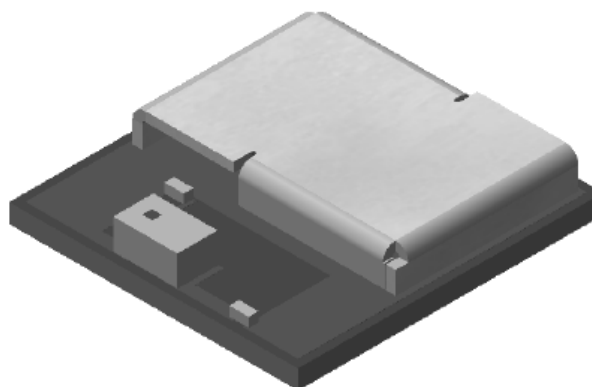


Reflow permissible cycle: 2  
 Opposite side reflow is prohibited due to module weight.

CLASSIFICATION	PRODUCT SPECIFICATION	No. DS-1740-2400-102	REV. 1.2
SUBJECT	CLASS 2 BLUETOOTH LOW ENERGY SINGLE MODE MODULE	PAGE	18 of 34
CUSTOMER'S CODE PAN1740	PANASONIC'S CODE ENW89846A1KF	DATE	22.04.2014

## 11 MODULE DIMENSION

No.	Item	Dimension	Tolerance	Remark
1	Width	9.50	$\pm 0.30$	
2	Lenght	9.00	$\pm 0.30$	
3	Height	1.80	$\pm 0.20$	With case



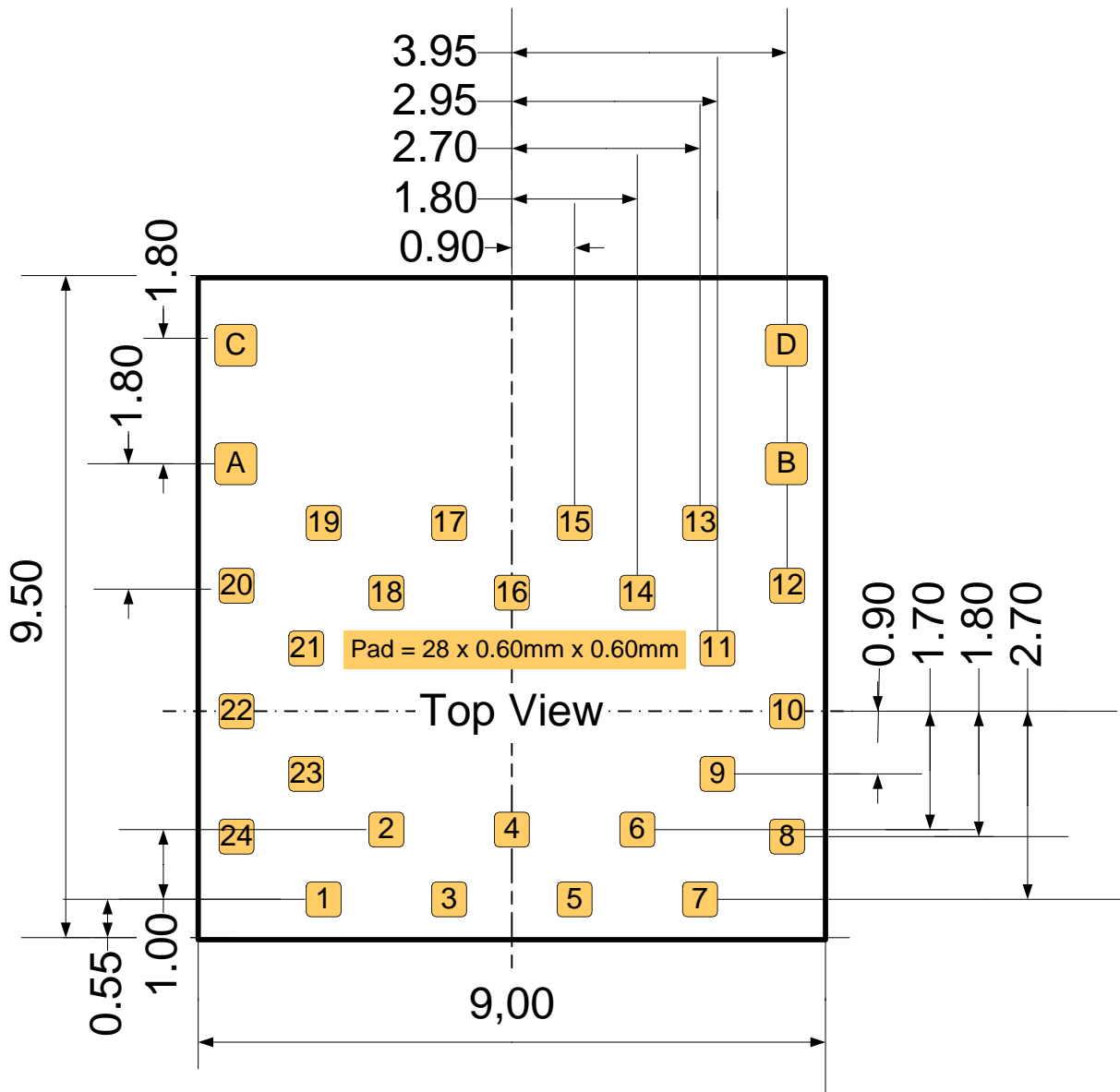
CLASSIFICATION	PRODUCT SPECIFICATION	No. DS-1740-2400-102	REV. 1.2
SUBJECT	CLASS 2 BLUETOOTH LOW ENERGY SINGLE MODE MODULE	PAGE	19 of 34
CUSTOMER'S CODE PAN1740	PANASONIC'S CODE ENW89846A1KF	DATE	22.04.2014

## 12 FOOTPRINT OF THE MODULE

All dimensions are in millimeters.

The outer dimensions have a tolerance of  $\pm 0.2\text{mm}$ .

The layout is symetric to center. The inner pins (2,4,6,9,11,14,16,18,21,23) are shifted to the center by 1mm.



CLASSIFICATION	PRODUCT SPECIFICATION	No. DS-1740-2400-102	REV. 1.2
SUBJECT	CLASS 2 BLUETOOTH LOW ENERGY SINGLE MODE MODULE	PAGE	20 of 34
CUSTOMER'S CODE PAN1740	PANASONIC'S CODE ENW89846A1KF	DATE	22.04.2014

### 13 CASE MARKING

### 14 MARKING

P	A	N	1	7	4	0			H	W	/	S	W			
E	N	W	8	9	8	4	6	A	1	K	F					
Y	Y	W	W	D	L	L										
F	C	C	I	D	:			T	7	V	1	7	4	0		

### 15 MARKING DEFINITION

PAN1740 (Model Name), HW/SW (Hardware/Software version)

ENW89846A1KF (Part Number, refer to chapter 28 Ordering Information)

Lot code (YearYear, WeekWeek, Day, LotLot)

FCC ID

ES (Engineering Sample marking)

### 16 MECHANICAL REQUIREMENTS

No.	Item	Limit	Condition
1	Solderability	More than 75% of the soldering area shall be coated by solder	Reflow soldering with recommendable temperature profile
2	Resistance to soldering heat	It shall be satisfied electrical requirements and not be mechanical damage	

CLASSIFICATION	PRODUCT SPECIFICATION	No. DS-1740-2400-102	REV. 1.2
SUBJECT	CLASS 2 BLUETOOTH LOW ENERGY SINGLE MODE MODULE	PAGE	21 of 34
CUSTOMER'S CODE PAN1740	PANASONIC'S CODE ENW89846A1KF	DATE	22.04.2014

## 17 RELIABILITY TESTS

The measurement should be done after being exposed to room temperature and humidity for 1 hour.

No.	Item	Limit	Condition
1	Vibration test	Electrical parameter should be in specification	a) Freq.:10~50Hz,Amplitude:1.5mm a) 20min. / cycle,1hrs. each of XYZ axis b) Freq.:30~100Hz, 6G b) 20min. / cycle,1hrs. each of XYZ axis
2	Shock test	the same as above	Dropped onto hard wood from height of 50cm for 3 times
3	Heat cycle test	the same as above	-40°C for 30min. and +85°C for 30min.; each temperature 300 cycles
4	Moisture test	the same as above	+60°C, 90% RH, 300h
5	Low temp. test	the same as above	-40°C, 300h
6	High temp. test	the same as above	+85°C, 300h

## 18 CAUTIONS

Failure to follow the guidelines set forth in this document may result in degrading of the product's functions and damage to the product.

## 19 DESIGN NOTES

- (1) Follow the conditions written in this specification, especially the control signals of this module.
- (2) The supply voltage has to be free of AC ripple voltage (for example from a battery or a low noise regulator output). For noisy supply voltages, provide a decoupling circuit (for example a ferrite in series connection and a bypass capacitor to ground of at least 47uF directly at the module).
- (3) This product should not be mechanically stressed when installed.
- (4) Keep this product away from heat. Heat is the major cause of decreasing the life of these products.
- (5) Avoid assembly and use of the target equipment in conditions where the products' temperature may exceed the maximum tolerance.
- (6) The supply voltage should not be exceedingly high or reversed. It should not carry noise and/or spikes.
- (7) Keep this product away from other high frequency circuits.

CLASSIFICATION	PRODUCT SPECIFICATION	No. DS-1740-2400-102	REV. 1.2
SUBJECT	CLASS 2 BLUETOOTH LOW ENERGY SINGLE MODE MODULE	PAGE	22 of 34
CUSTOMER'S CODE PAN1740	PANASONIC'S CODE ENW89846A1KF	DATE	22.04.2014

## 20 INSTALLATION NOTES

- (1) Reflow soldering is possible twice based on the conditions in chapter 15. Set up the temperature at the soldering portion of this product according to this reflow profile.
- (2) Carefully position the products so that their heat will not burn into printed circuit boards or affect the other components that are susceptible to heat.
- (3) Carefully locate these products so that their temperatures will not increase due to the effects of heat generated by neighboring components.
- (4) If a vinyl-covered wire comes into contact with the products, then the cover will melt and generate toxic gas, damaging the insulation. Never allow contact between the cover and these products to occur.
- (5) This product should not be mechanically stressed or vibrated when reflowed.
- (6) If you want to repair your board by hand soldering, please keep the conditions of this chapter.
- (7) Do not wash this product.
- (8) Refer to the recommended pattern when designing a board.
- (9) Pressing on parts of the metal cover or fastening objects to the metal will cause damage to the unit.
- (10) For more details on LGA (Land Grid Arrey) soldering processes refer to the application note.

## 21 USAGE CONDITIONS NOTES

- (1) Take measures to protect the unit against static electricity. If pulses or other transient loads (a large load applied in a short time) are applied to the products, check and evaluate their operation before assembly on the final products.
- (2) Do not use dropped products.
- (3) Do not touch, damage or soil the pins.
- (4) Follow the recommended condition ratings about the power supply applied to this product.
- (5) Electrode peeling strength: Do not add pressure of more than 4.9N when soldered on PCB.
- (6) Pressing on parts of the metal cover or fastening objects to the metal cover will cause damage.
- (7) These products are intended for general purpose and standard use in general electronic equipment, such as home appliances, office equipment, information and communication equipment.

CLASSIFICATION	PRODUCT SPECIFICATION	No. DS-1740-2400-102	REV. 1.2
SUBJECT	CLASS 2 BLUETOOTH LOW ENERGY SINGLE MODE MODULE	PAGE	23 of 34
CUSTOMER'S CODE PAN1740	PANASONIC'S CODE ENW89846A1KF	DATE	22.04.2014

## 22 STORAGE NOTES

- (1) The module should not be stressed mechanically during storage.
- (2) Do not store these products in the following conditions or the performance characteristics of the product, such as RF performance will be adversely affected:
  - Storage in salty air or in an environment with a high concentration of corrosive gas, such as Cl<sub>2</sub>, H<sub>2</sub>S, NH<sub>3</sub>, SO<sub>2</sub>, or NO<sub>X</sub>
  - Storage in direct sunlight
  - Storage in an environment where the temperature may be outside the range of 5°C to 35°C range, or where the humidity may be outside the 45 to 85% range.
  - Storage of the products for more than one year after the date of delivery Storage period: Please check the adhesive strength of the embossed tape and soldering after 6 months of storage.
- (3) Keep this product away from water, poisonous gas and corrosive gas.
- (4) This product should not be stressed or shocked when transported.
- (5) Follow the specification when stacking packed crates (max. 10).

## 23 SAFETY CAUTIONS

These specifications are intended to preserve the quality assurance of products and individual components.

Before use, check and evaluate the operation when mounted on your products. Abide by these specifications, without deviation when using the products. These products may short-circuit. If electrical shocks, smoke, fire, and/or accidents involving human life are anticipated when a short circuit occurs, then provide the following failsafe functions, as a minimum.

- (1) Ensure the safety of the whole system by installing a protection circuit and a protection device.
- (2) Ensure the safety of the whole system by installing a redundant circuit or another system to prevent a dual fault causing an unsafe status.

## 24 OTHER CAUTIONS

- (1) This specification sheet is copyrighted. Reproduction of this data sheets is permissible only if reproduction is without alteration and is accompanied by all associated warranties, conditions, limitations, and notices.
- (2) Do not use the products for other purposes than those listed.
- (3) Be sure to provide an appropriate fail-safe function on your product to prevent an additional damage that may be caused by the abnormal function or the failure of the product.
- (4) This product has been manufactured without any ozone chemical controlled under the Montreal Protocol.
- (5) These products are not intended for other uses, other than under the special conditions shown below. Before using these products under such special conditions, check their performance and reliability under the said special conditions carefully to determine whether or not they can be used in such a manner.
  - In liquid, such as water, salt water, oil, alkali, or organic solvent, or in places where liquid may splash.

CLASSIFICATION	PRODUCT SPECIFICATION	No. DS-1740-2400-102	REV. 1.2
SUBJECT	CLASS 2 BLUETOOTH LOW ENERGY SINGLE MODE MODULE	PAGE	24 of 34
CUSTOMER'S CODE PAN1740	PANASONIC'S CODE ENW89846A1KF	DATE	22.04.2014

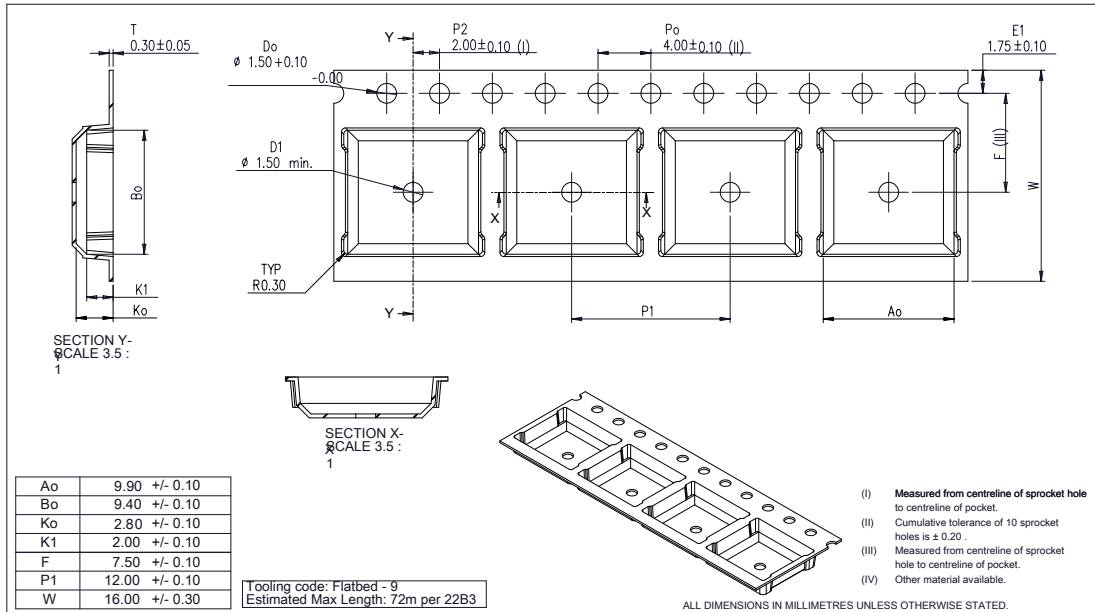
- In direct sunlight, outdoors, or in a dusty environment
  - In an environment where condensation occurs.
  - In an environment with a high concentration of harmful gas (e.g. salty air, HCl, Cl<sub>2</sub>, SO<sub>2</sub>, H<sub>2</sub>S, NH<sub>3</sub>, and NO<sub>x</sub>)
- (6) If an abnormal voltage is applied due to a problem occurring in other components or circuits, replace these products with new products because they may not be able to provide normal performance even if their electronic characteristics and appearances appear satisfactory.
- (7) When you have any question or uncertainty, contact Panasonic.



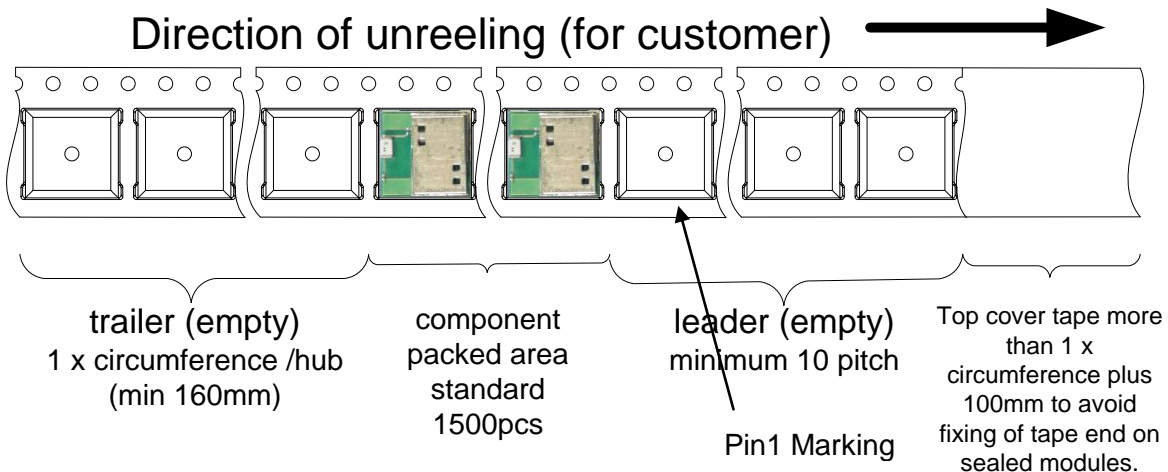
CLASSIFICATION	PRODUCT SPECIFICATION	No. DS-1740-2400-102	REV. 1.2
SUBJECT	CLASS 2 BLUETOOTH LOW ENERGY SINGLE MODE MODULE	PAGE	25 of 34
CUSTOMER'S CODE PAN1740	PANASONIC'S CODE ENW89846A1KF	DATE	22.04.2014

## 25 PACKAGING

### Tape Dimension



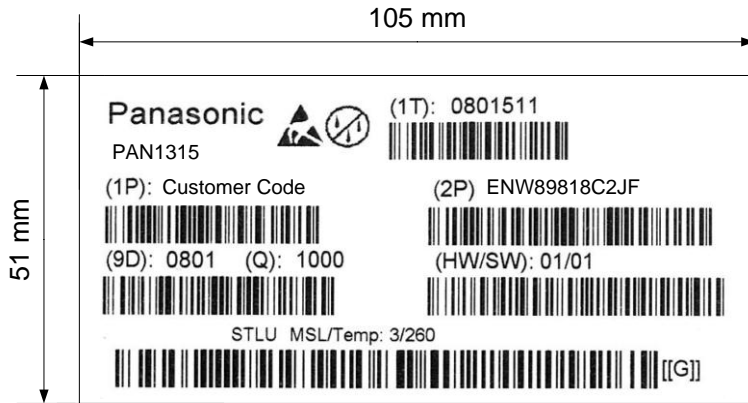
### Packing in Tape



CLASSIFICATION	PRODUCT SPECIFICATION	No. DS-1740-2400-102	REV. 1.2
SUBJECT	CLASS 2 BLUETOOTH LOW ENERGY SINGLE MODE MODULE	PAGE	26 of 34
CUSTOMER'S CODE PAN1740	PANASONIC'S CODE ENW89846A1KF	DATE	22.04.2014

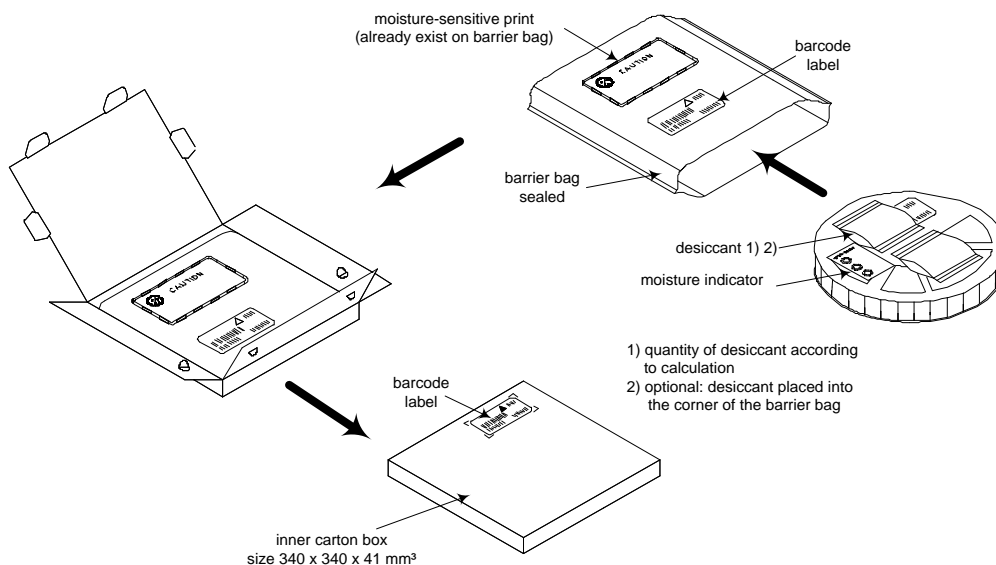
## 26 LABEL FOR PACKAGE

The picture shows an example from similar product.



(1T)	Lot code [YYWWDLL]	Example from above:
	YY year	printed 08
	WW normal calendar week	printed 01
	D day	printed 5 (Friday)
	L line identifier, if more as one	printed 1
	L lot identifier per day	printed 1
(1P)	Customer Order Code, if any, otherwise company name will be printed	
(2P)	Panasonic Order Code:	
(9D)	Date code as [YYWW]	
(Q)	Quantity [XXXX], variable max. 1500	
(HW/SW)	Hardware /Software Release	
	Hardware 01 Indicates the HW revision.	
	Software 01 Indicates the SW revision.	

## 27 TOTAL PACKAGE



CLASSIFICATION	PRODUCT SPECIFICATION	No. DS-1740-2400-102	REV. 1.2
SUBJECT	CLASS 2 BLUETOOTH LOW ENERGY SINGLE MODE MODULE	PAGE	27 of 34
CUSTOMER'S CODE PAN1740	PANASONIC'S CODE ENW89846A1KF	DATE	22.04.2014

## 28 ORDERING INFORMATION

Ordering part number	Description	MOQ <sup>(1)</sup>
ENW89846A1KF <sup>(2)</sup>	PAN1740 CLASS 2 Bluetooth single mode Module according BT-4.0. <i>Bluetooth®</i> smart device	1500

### Notes:

- (1) Abbreviation for Minimum Order Quantity (MOQ). The standard MOQ for mass production is 1500 pieces, fewer only on customer demand. Samples for evaluation can be delivered at any quantity via the distribution channels.
- (2) Samples are available on customer demand

## 29 ROHS AND REACH DECLARATION

Hereby we declare to our best present knowledge based on declaration of our suppliers that this product follows the latest official RoHS and REACH Directive.

For the full declaration, please refer to [4].

CLASSIFICATION	PRODUCT SPECIFICATION	No. DS-1740-2400-102	REV. 1.2
SUBJECT	CLASS 2 BLUETOOTH LOW ENERGY SINGLE MODE MODULE	PAGE	28 of 34
CUSTOMER'S CODE PAN1740	PANASONIC'S CODE ENW89846A1KF	DATE	22.04.2014

### 30 DATA SHEET STATUS

This data sheet contains the final specification.

Panasonic reserves the right to make changes at any time without notice in order to improve design and supply the best possible product.

Please consult the most recently issued data sheet before initiating or completing a design.

### 31 HISTORY FOR THIS DOCUMENT

Revision	Date	Modification / Remarks
0.1	February 2014	1 <sup>st</sup> preliminary version.
0.2	April 2014	Included Bluetooth 4.1 compliance.
0.3	June 2014	Formating Table 5. Updated Key Features.
1.0	October 2014	Final Specification incl. DoC.
1.1	December 2014	Changed tolerances in chapter 11 Module Dimension.
1.2	April 2015	Added ntrinsic safety values

### 32 RELATED DOCUMENTS

For an update, please search in the suitable homepage.

- [1] BLUETOOTH® 4.1 QUICK REFERENCE GUIDE:  
<https://www.bluetooth.org/en-us/specification/adopted-specifications>
- [2] Semiconductor Website and Software Tools:  
<http://support.dialog-semiconductor.com/>
- [3] Application Note Land Grid Array  
<http://www.pideu.panasonic.de/pdf/184ext.pdf>
- [4] REACH and RoHS Certificate  
<http://www.pideu.panasonic.de/pdf/182ext2.jpg>

CLASSIFICATION	PRODUCT SPECIFICATION	No. DS-1740-2400-102	REV. 1.2
SUBJECT	CLASS 2 BLUETOOTH LOW ENERGY SINGLE MODE MODULE	PAGE	29 of 34
CUSTOMER'S CODE PAN1740	PANASONIC'S CODE ENW89846A1KF	DATE	22.04.2014

### 33 GENERAL INFORMATION

© Panasonic Industrial Devices Europe GmbH 2012.

All rights reserved.

This product description does not lodge the claim to be complete and free of mistakes.

Please contact the related product manager in every case.

If we deliver ES samples to the customer, these samples have the status Engineering Samples. This means, the design of this product is not yet concluded. Engineering Samples may be partially or fully functional, and there may be differences to be published Data Sheet. Engineering Samples are not qualified and are not to be used for reliability testing or series production.

#### **Disclaimer:**

Customer acknowledges that samples may deviate from the Data Sheet and may bear defects due to their status of development and the lack of qualification mentioned above.

Panasonic rejects any liability or product warranty for Engineering Samples. In particular, Panasonic disclaims liability for damages caused by

- the use of the Engineering Sample other than for Evaluation Purposes, particularly the installation or integration in another product to be sold by Customer,
- deviation or lapse in function of Engineering Sample,
- Improper use of Engineering Samples.

Panasonic disclaims any liability for consequential and incidental damages.

In case of any questions, please contact your local sales partner or the related product manager.

### 34 REGULATORY INFORMATION

#### 35 FCC NOTICE



The devices PAN1740, for details refer to Chapter 28, including the antennas, which are listed in 39, complies with Part 15 of the FCC Rules. The device meets the requirements for modular transmitter approval as detailed in FCC public Notice DA00-1407.transmitter Operation is subject to the following two conditions: (1) This device may not cause harmful interference, and (2) This device must accept any interference received, including interference that may cause undesired operation.

#### 36 CAUTION



The FCC requires the user to be notified that any changes or modifications made to this device that are not expressly approved by Panasonic Industrial Devices Europe GmbH may void the user's authority to operate the equipment.

This equipment has been tested and found to comply with the limits for a Class B digital device, pursuant to Part 15 of the FCC Rules. These limits are designed to provide reasonable protection against harmful interference in a residential installation. This equipment generates uses and can radiate radio frequency energy and, if not installed and used in accordance with the instructions, may cause harmful interference to radio communications. However, there is no guarantee that interference will not occur in a particular installation. If this equipment does cause harmful interference to radio or television reception, which can be determined by turning the equipment off and on, the user is encouraged to try to correct the interference by one or more of the following measures:

CLASSIFICATION	PRODUCT SPECIFICATION	No. DS-1740-2400-102	REV. 1.2
SUBJECT	CLASS 2 BLUETOOTH LOW ENERGY SINGLE MODE MODULE	PAGE	30 of 34
CUSTOMER'S CODE PAN1740	PANASONIC'S CODE ENW89846A1KF	DATE	22.04.2014

- Reorient or relocate the receiving antenna.
- Increase the separation between the equipment and receiver.
- Connect the equipment into an outlet on a circuit different from that to which the receiver is connected.
- Consult the dealer or an experienced radio/TV technician for help

### 37 LABELING REQUIREMENTS



The Original Equipment Manufacturer (OEM) must ensure that FCC labelling requirements are met. This includes a clearly visible label on the outside of the OEM enclosure specifying the appropriate Panasonic FCC identifier for this product as well as the FCC Notice above. The FCC identifier is **FCC ID: T7V1740**. This FCC identifier is valid for all PAN1740 modules, for details, see the Chapter 28 - Ordering Information.

In any case the end product must be labelled exterior with "Contains FCC ID: T7V1740"

### 38 ANTENNA WARNING



For the related part number of PAN1740 refer to Chapter 28 - Ordering Information.

This device is tested with a standard SMA connector and with the antennas listed below. When integrated in the OEMs product, these fixed antennas require installation preventing end-users from replacing them with non-approved antennas. Any antenna not in the following table must be tested to comply with FCC Section 15.203 for unique antenna connectors and Section 15.247 for emissions.

### 39 APPROVED ANTENNA LIST

Note: We are able to qualify your antenna and will add to this list as that process is completed.

Item	Part Number	Manufacturer	Frequency Band	Type	Gain (dBi)
1	LDA212G3110K	Murata	2.4GHz	Chip-Antenna	+0.9

### 40 RF EXPOSURE



To comply with FCC RF Exposure requirements, the Original Equipment Manufacturer (OEM) must ensure that the approved antenna in the previous table must be installed.

The preceding statement must be included as a CAUTION statement in manuals for products operating with the approved antennas in the previous table to alert users on FCC RF Exposure compliance.

Any notification to the end user of installation or removal instructions about the integrated radio module is not allowed.

The radiated output power of PAN1740 with mounted ceramic antenna (**FCC ID: T7V1740**) is far below the FCC radio frequency exposure limits. Nevertheless, the PAN1740 shall be used in such a manner that the potential for human contact during normal operation is minimized.

End users may not be provided with the module installation instructions. OEM integrators and end users must be provided with transmitter operating conditions for satisfying RF exposure compliance.

CLASSIFICATION	PRODUCT SPECIFICATION	No. DS-1740-2400-102	REV. 1.2
SUBJECT	CLASS 2 BLUETOOTH LOW ENERGY SINGLE MODE MODULE	PAGE	31 of 34
CUSTOMER'S CODE PAN1740	PANASONIC'S CODE ENW89846A1KF	DATE	22.04.2014

#### 41 INDUSTRY CANADA CERTIFICATION

PAN1740 is licensed to meet the regulatory requirements of Industry Canada (IC),  
license: IC: 216Q-1740

Manufacturers of mobile, fixed or portable devices incorporating this module are advised to clarify any regulatory questions and ensure compliance for SAR and/or RF exposure limits. Users can obtain Canadian information on RF exposure and compliance from [www.ic.gc.ca](http://www.ic.gc.ca).

This device has been designed to operate with the antennas listed in Table 20 above, having a maximum gain of 0.9 dBi. Antennas not included in this list or having a gain greater than 0.9 dBi are strictly prohibited for use with this device. The required antenna impedance is 50 ohms. The antenna used for this transmitter must not be co-located or operating in conjunction with any other antenna or transmitter.

Due to the model size the IC identifier is displayed in the installation instruction only and can not be displayed on the modules label due to the limited size (8.7x15.6mm).

#### 42 IC NOTICE



The devices PAN1740, for details refer to Chapter 28, including the antennas, which are listed in 39, complies with Canada RSS-GEN Rules. The device meets the requirements for modular transmitter approval as detailed in RSS-GEN. Operation is subject to the following two conditions: (1) This device may not cause harmful interference, and (2) This device must accept any interference received, including interference that may cause undesired operation.

Le présent appareil est conforme aux CNR d'Industrie Canada applicables aux appareils radio exempts de licence. L'exploitation est autorisée aux deux conditions suivantes :

- (1) l'appareil ne doit pas produire de brouillage, et
- (2) l'utilisateur de l'appareil doit accepter tout brouillage radioélectrique subi, même si le brouillage est susceptible d'en compromettre le fonctionnement.

PAN1740 est garanti conforme aux dispositions réglementaires d'Industry Canada (IC), licences: **IC: 216Q-1740**

Il est recommandé aux fabricants d'appareils fixes, mobiles ou portables de consulter la réglementation en vigueur et de vérifier la conformité de leurs produits relativement aux limites d'exposition aux rayonnements radiofréquence ainsi qu'au débit d'absorption spécifique maximum autorisé.

Des informations pour les utilisateurs sur la réglementation Canadienne concernant l'exposition aux rayonnements RF sont disponibles sur le site [www.ic.gc.ca](http://www.ic.gc.ca).

Ce produit a été développé pour fonctionner spécifiquement avec les antennes listées dans le tableau ci-dessus, présentant un gain maximum de 0.9dBi. Des antennes autres que celles listées ici, ou présentant un gain supérieur a 0.9dBi ne doivent en aucune circonstance être utilisées en combinaison avec ce produit. L'impédance des antennes compatibles est 50Ohm. L'antenne utilisée avec ce produit ne doit ni être située à proximité d'une autre antenne ou d'un autre émetteur, ni être utilisée conjointement avec une autre antenne ou un autre émetteur. En raison de la taille du produit, l'identifiant IC est fourni dans le manuel d'installation.

CLASSIFICATION	PRODUCT SPECIFICATION	No. DS-1740-2400-102	REV. 1.2
SUBJECT	CLASS 2 BLUETOOTH LOW ENERGY SINGLE MODE MODULE	PAGE	32 of 34
CUSTOMER'S CODE PAN1740	PANASONIC'S CODE ENW89846A1KF	DATE	22.04.2014

#### 43 LABELING REQUIREMENTS



The Original Equipment Manufacturer (OEM) must ensure that IC labelling requirements are met. This includes a clearly visible label on the outside of the OEM enclosure specifying the appropriate Panasonic IC identifier for this product as well as the IC Notice above. The IC identifier is **216Q-1740**. This IC identifier is valid for all PAN1740 modules, for details, see the Chapter 28 - Ordering Information.

In any case the end product must be labelled exterior with "Contains **IC: 216Q-1740**"

##### Obligations d'étiquetage

Les fabricants d'équipements (OEM) doivent s'assurer que les obligations d'étiquetage du produit final sont remplies. Ces obligations incluent une étiquette clairement visible à l'extérieur de l'emballage externe, comportant l'identifiant IC du module Panasonic inclus, ainsi que la notification ci-dessus.

Les identifiants IC sont: **IC: 216Q-1740**

Ces identifiants sont valides pour tous les modules PAN1740 (Chapter 28. Ordering Information). Dans tous les cas les produits finaux doivent indiquer sur leur emballage externe une des mentions suivantes: "**Contient IC: 216Q-1740**"



CLASSIFICATION	PRODUCT SPECIFICATION	No. DS-1740-2400-102	REV. 1.2
SUBJECT	CLASS 2 BLUETOOTH LOW ENERGY SINGLE MODE MODULE	PAGE	33 of 34
CUSTOMER'S CODE PAN1740	PANASONIC'S CODE ENW89846A1KF	DATE	22.04.2014

44 EUROPEAN R&TTE DECLARATION OF CONFORMITY

## Declaration of Conformity (DoC) 1999/5/EC

We, Panasonic Industrial Devices Europe GmbH  
Wireless Connectivity, Power Electronics R&D Center  
Zeppelinstrasse 19, 21337 Lueneburg, Germany

declare under our sole responsibility that the product:

Type of equipment: Bluetooth Module  
Brand name: PAN1740  
Model name: ENW89846AxKF

to which this declaration relates, is in compliance with all the applicable essential requirements, and other provisions of the European Council Directive:

1999/5/EC	Radio and Telecommunications Terminal Equipment Directive (R&TTE)
-----------	---

The conformity assessment procedure used for this declaration is Annex IV of this Directive.

Product compliance has been demonstrated on the basis of:

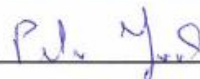
- EN 60950-1: 2006+A11:2009+A1:2010+A12:2011+A2:2013 - EN 62311:2008 - EN 62479: 2010	For article 3.1a: Safety/Health
- EN 301 489-17 V2.2.1:2012-09	For article 3.1b: Electromagnetic Compatibility
- EN 300 328 V1.8.1:2012-06	For article 3.2: Radio

The technical construction file is kept available at:

Panasonic Industrial Devices Europe GmbH, Zeppelinstrasse 19, 21337 Lueneburg, Germany

Issued on: 2014-09-23

Signed by the manufacturer:  
(Company name) Panasonic Industrial Devices Europe GmbH Panasonic Industrial  
Devices Europe GmbH  
Power Electronics R&D Center

(Signature)  Zeppelinstraße 19  
D - 21337 Lüneburg  
Tel.: +49 (0) 4131 / 899-0  
Fax: +49 (0) 4131 / 899-120

(Printed name) Peter Jeroschewski

(Title) General Manager Power Electronics R&D Center



CLASSIFICATION	PRODUCT SPECIFICATION	No. DS-1740-2400-102	REV. 1.2
SUBJECT	CLASS 2 BLUETOOTH LOW ENERGY SINGLE MODE MODULE	PAGE	34 of 34
CUSTOMER'S CODE PAN1740	PANASONIC'S CODE ENW89846A1KF	DATE	22.04.2014

As a result of the conformity assessment procedure described in Annex III of the Directive 1999/5/EC, the end-customer equipment should be labelled as follows:



All versions of the PAN1740 in the specified reference design can be used in the following countries: Austria, Belgium, Cyprus, Czech Republic, Denmark, Estonia, Finland, France, Germany, Greece, Hungary, Ireland, Italy, Latvia, Lithuania, Luxembourg, Malta, Poland, Portugal, Slovakia, Slovenia, Spain, Sweden, The Netherlands, the United Kingdom, Switzerland, and Norway.

#### 45 BLUETOOTH

Final Bluetooth Product needs to be created by using following IDs:

	QDID	Declaration ID
Controller Subsystem	50800	B021655
Profile Subsystem	51591	B021941
Host SubSystem	51910	B021835

#### 46 INTRINSIC SAFETY

Total capacity shall not exceed 2.5 $\mu$ F.

The total inductance shall not exceed 2.5 $\mu$ H.

There is no resistor value in this design.

#### 47 LIFE SUPPORT POLICY

This Panasonic product is not designed for use in life support appliances, devices, or systems where malfunction can reasonably be expected to result in a significant personal injury to the user, or as a critical component in any life support device or system whose failure to perform can be reasonably expected to cause the failure of the life support device or system, or to affect its safety or effectiveness. Panasonic customers using or selling these products for use in such applications do so at their own risk and agree to fully indemnify Panasonic for any damages resulting.