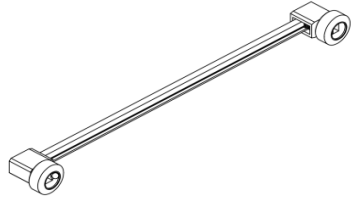


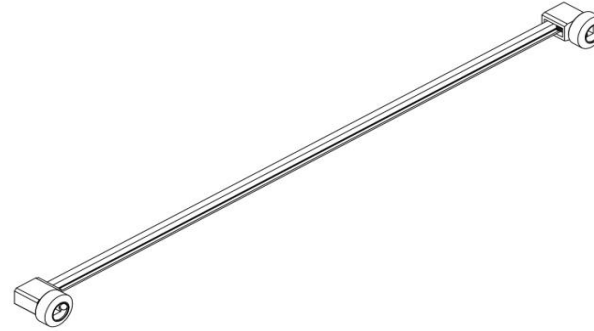
PCSA spare parts

PCSA-1



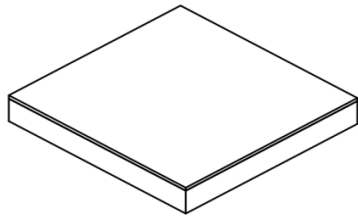
BS-PCSS-1: Sliding rail

PCSA-2

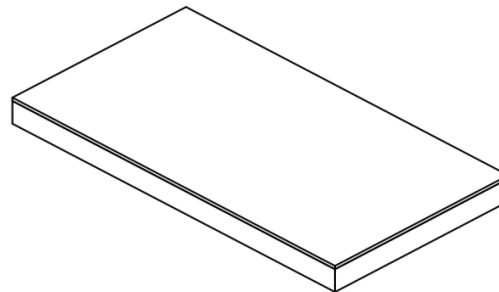


BS-PCSS-2-4: Sliding rail

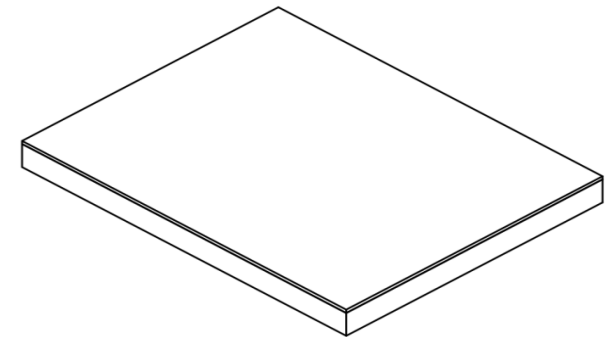
PCSA-4



PCSA-1.2: Foam



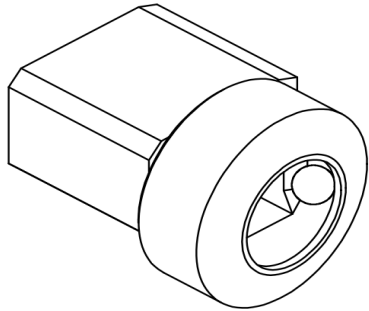
PCSA-2.2: Foam



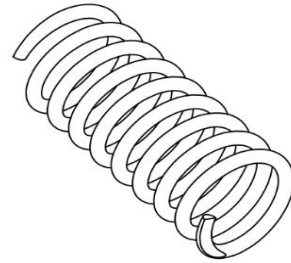
PCSA-4.2: Foam

PCSA spare parts

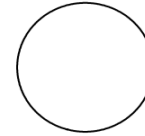
PCSA-1 PCSA-2 PCSA-4



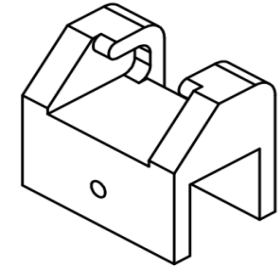
BS-PCSS-NBS: Sliding block



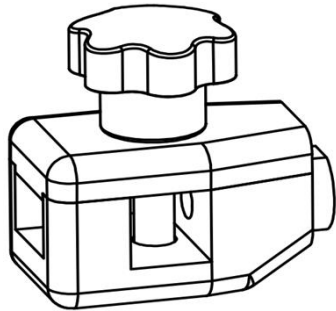
MO-BS-PCSS: Spring



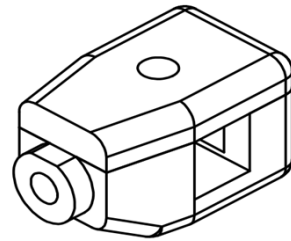
SF-BS-PCSS: Ball diam. 5 mm



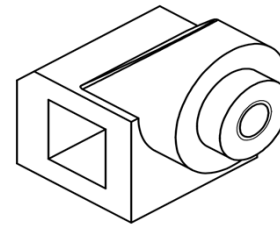
IN-PCSS: Cover support



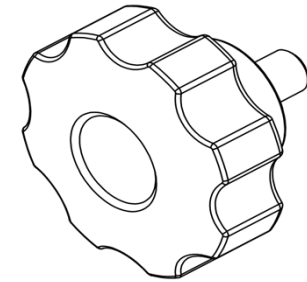
AC-PCSA: Bush-Knob-Screw



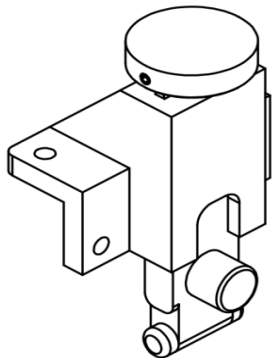
SR-PCSA: Bush



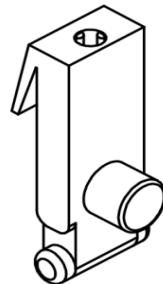
SR-PCSS: Bush (old)



PR-PCSS: Knob

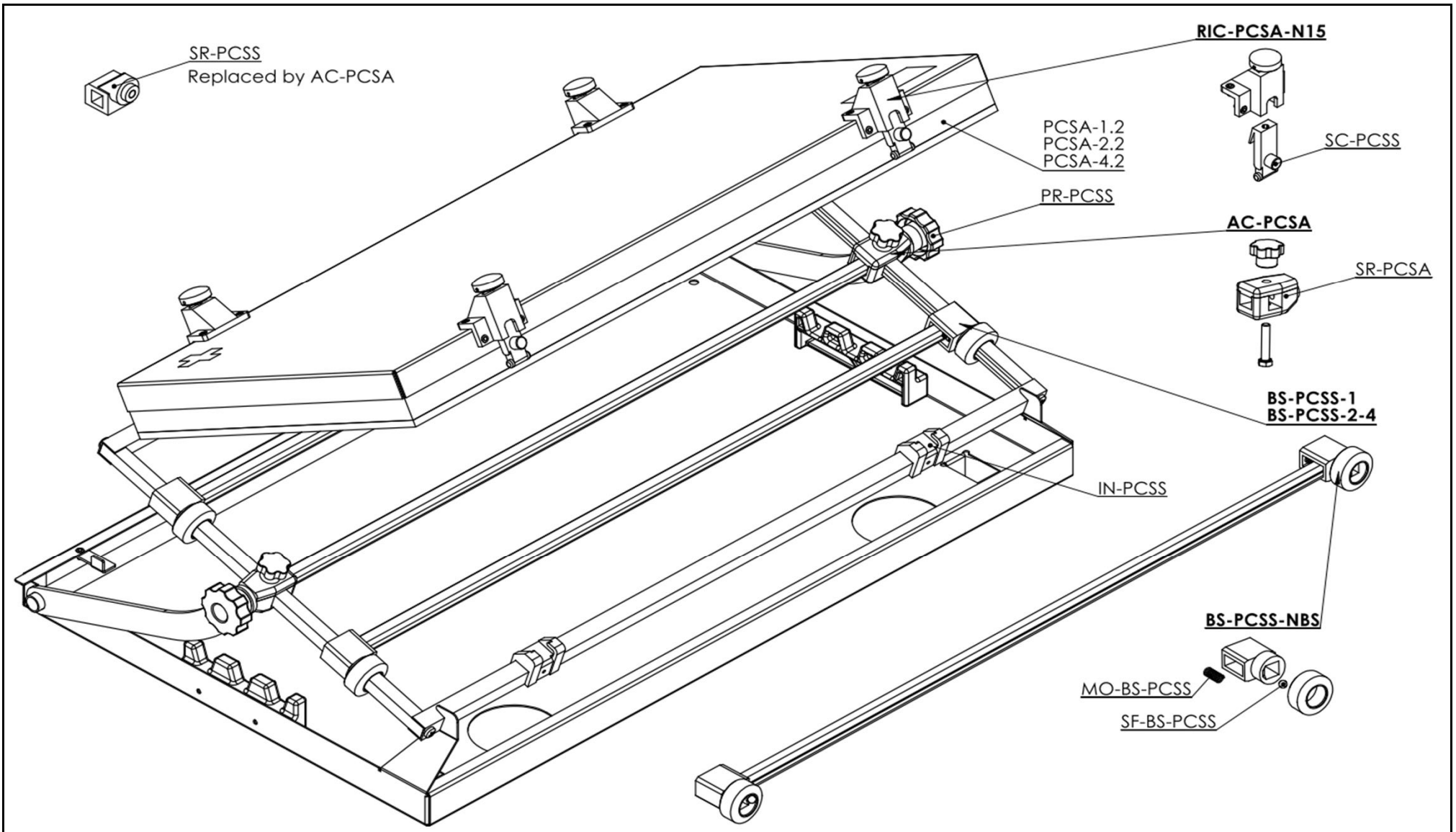


RIC-PCSA-N15: Pivot



SC-PCSS: Cover clip lever

PCSA



Rev.03