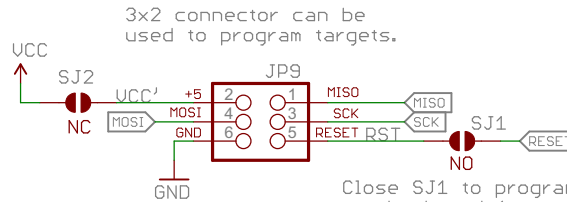
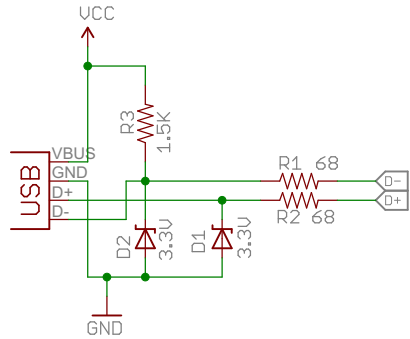
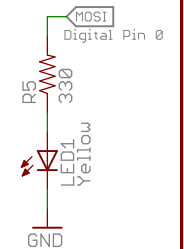
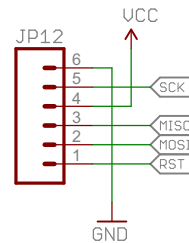
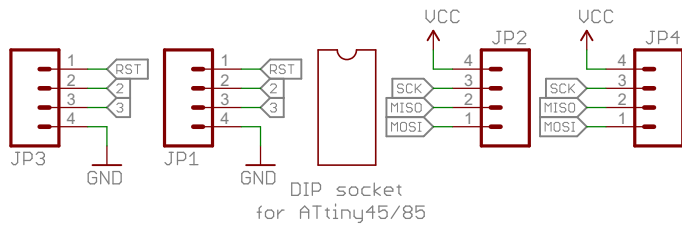
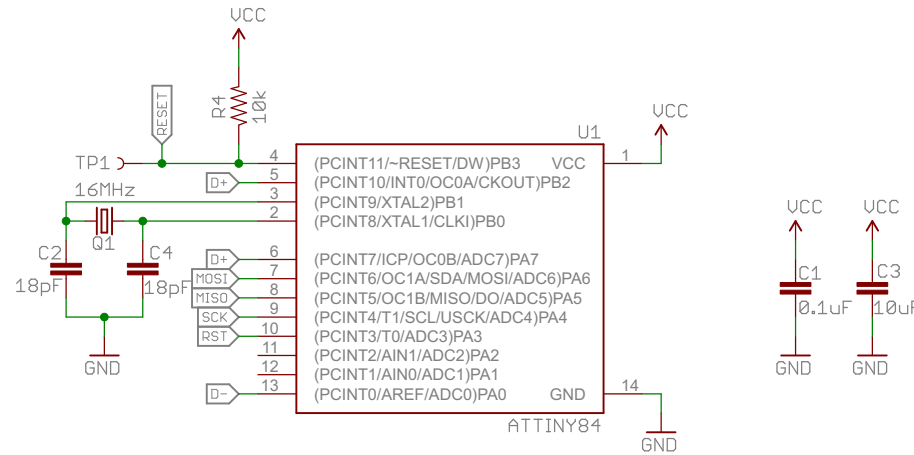


Changes on v1.2:
 Capitalized on silk indicators
 Squished PCB layout
 Added 6-pin SIP to end of board
 Added comments to schematic



Close SJ1 to program the ATtiny84 on the board (not recommended).

SJ2:
 Closed: Target is powered from 5V USB
 Open: Target must have external UCC provided



Released under the Creative Commons Attribution Share-Alike 3.0 License
<http://creativecommons.org/licenses/by-sa/3.0/>

SFE SFE

TITLE: Tiny_Programmer_v13

Design by:
 David A. Mellis, Jordan McConnell

REV:
 v13

Date: 11/23/2015 12:23:14 PM

Sheet: 1/1