

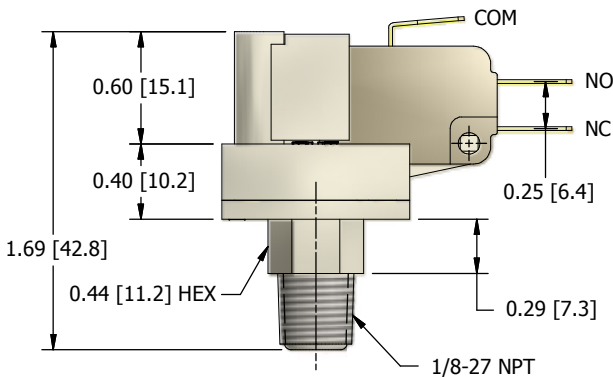
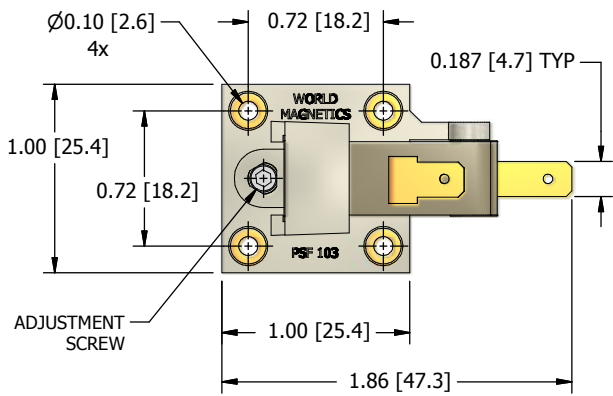


E41523

Made in USA

RoHS

MODEL 906X-XXX SHOWN



FEATURES / BENEFITS

- Field adjustable pressure set point, from 3" H₂O to 60 psi
- Snap action basic switch, up to 25A*, 125/250 VAC
*Not available on all ranges
- Many standard pressure ports and mounting options
- Custom design and engineering available
- Small size, lightweight, low cost
- Dependable long life (10+ million cycles)



SPECIFICATIONS

MECHANICAL

| | |
|----------------------------|-----------------------------------------------------------------------|
| Standard Tolerance | ±20% (Tighter tolerances available) |
| Switch Type | SPDT (single pole / double throw) normally open or normally closed |
| Switching Medium | Air; compatible fluids |
| Mechanical Life | More than 10 million cycles |
| Maximum Operating Pressure | Varies by option – see Adjustable Pressure Set Point Options overleaf |
| Operating Temp. | +40°F to +150°F (standard) -46°F to +205°F (contact us) |

PHYSICAL

| | |
|------------------------|-------------------------------------------------------------------------------------------------------------------------------------|
| Case Material | Polycarbonate (optional: Lexan 141, Ryton®, Ultem®, Noryl®) 905 — 906 range use PPS wetted parts |
| Pressure Port Options | Many standard ports — see Pressure Port / Cover Options overleaf |
| Diaphragm Material | Polyurethane (Teflon® optional with limited pressure ranges) other options available |
| Contact Points | Silver (Gold available on special order) |
| Electrical Connections | Terminals – .187" x .020" tab-type for use with quick disconnects (ref. AMP #2-520182-2 or equivalent) .250" available — contact us |
| Mounting | #4 Screws through mounting lugs; #2 Screws through eyelets |
| Weight | Less than 20 grams |

ELECTRICAL

| | |
|-------------------|-----------------------------------------------------------------------|
| Current Rating | Varies by option – see Adjustable Pressure Set Point Options overleaf |
| Operating Voltage | See Adjustable Pressure Set Point Options overleaf |

DESIGNFLEX™ STANDARD OPTIONS — Choose from our standard PSF103 options as shown below or contact our vertically integrated in-house design and engineering team for special features and unique application needs. Sample switch available by request.

ADJUSTABLE PRESSURE SET POINT OPTIONS

| | 010* | 020* | 902 | 903 | 904 | 905 | 906 |
|---------------------------------------|---------------|------------|-------------|------------|------------|-------------|---------------|
| In H ₂ O | 0.5 to 2.0 | 1.5 to 2.5 | 3 to 10 | 10 to 28 | 28 to 111 | 111 to 416 | 416 to 1664 |
| mbar | 1.2 to 5.0 | 5.0 | 7.5 to 25 | 25 to 69 | 69 to 276 | 276 to 1036 | 1036 to 4144 |
| psi | 0.018 to .072 | 0.072 | 0.11 to 0.4 | 0.4 to 1.0 | 1.0 to 4.0 | 4.0 to 15 | 15.0 to 60.0* |
| Max. Operating Pressure (PUR) | 30psi | 30psi | 30psi | 30psi | 30psi | 70psi | 70psi |
| Max. Operating Pressure (Teflon®) | 15psi | 15psi | 15psi | 30psi | 30psi | 30psi | 30psi |
| Electrical 125/250 VAC Resistive Load | 3A | 3A | 3A | 10A | 15A | 15A | 15A |

*Non adjustable

PRESSURE PORT/COVER OPTIONS

| | | | | | | | | | |
|------------------------------------------------------------------|--|---------------------------------------------------------------|--|----------------------------------------------------------------|--|------------------------------------------------------------------------------|--|-----------------------------------------------------------------|--|
| 00 | | 01 | | 02 | | 03 | | 04 | |
| Smooth Port .156" diameter for 1/8" ID tubing w/mtg. lugs | | Smooth Port .156" diameter for 1/8" ID tubing w/o mtg. lugs | | Barbed Port for 3/16" ID tubing on terminals side w/mtg. lugs | | Barbed Port for 3/16" ID tubing opposite terminals w/mtg. lugs | | Barbed Port for 3/16" ID tubing on terminals side w/o mtg. lugs | |
| 05 | | 06 | | 07 | | 08 | | 09 | |
| Barbed Port for 3/16" ID tubing opposite terminals w/o mtg. lugs | | 1/8" NPT Port | | Flo-Thru Barbed Port for 1/8" ID tubing w/o mtg. lugs | | Smooth Port .250" diameter for 7/32" ID tubing w/o mtg. lugs | | Smooth Port .250" diameter for 7/32" ID tubing w/mtg. lugs | |
| 10 | | 11 | | 12 | | 13 | | 14 | |
| Barbed Port for 1/8" ID tubing on terminals side w/mtg. lugs | | Barbed Port for 1/8" ID tubing opposite terminals w/mtg. lugs | | Barbed Port for 1/8" ID tubing on terminals side w/o mtg. lugs | | Barbed Port for 1/8" ID tubing opposite terminals w/o mtg. lugs | | 1/4" Port for Quick Connect Fitting | |
| 15 | | | | | | Diaphragm Options 1 Polyurethane (standard) 2 Teflon (optional) | | OTHER / CUSTOM PORTING AND MOUNTING OPTIONS AVAILABLE | |
| M8 x 1.25 Port | | | | | | | | | |