

Uninterruptible power supply PVUA 24/24-20



Picture shows PVUA 24/24-10

Advantages

| |
|--|
| Electronic overcurrent and short-circuit protection |
| Active current limiting in the event of an error |
| Automatic detection of connected battery module |
| Reliable early warning signal when battery life expectancy is declining |
| Extended life expectancy through temperature controlled battery management |
| Service-friendly spring-loaded connector system |
| Isolated signal contact |
| Reverse polarity protection |
| Exhaustive discharge protection for batteries |
| Interface to visualise and adjust relevant data |
| Current and voltage monitoring |
| Active signal outputs for function monitoring |
| RS-232 interface |
| Reliable supply of industrial PC's |

Applications

The charge- and control unit controls and monitors the battery module, warns reliably if the life expectancy of the battery is low and provides information on the charge status and the remaining time during buffering. All relevant data can be shown on the integrated display or accessed through the built-in data interface.

Standards

Uninterruptible power supply
to UL 60950, UL 508

Safety:
EN 60950, EN 60950 (SELV), EN 60204 (PELV)

EMC:
EN 61000-6-3 (Interference emissions), EN 61000-6-2 (Interference immunity)

Approvals



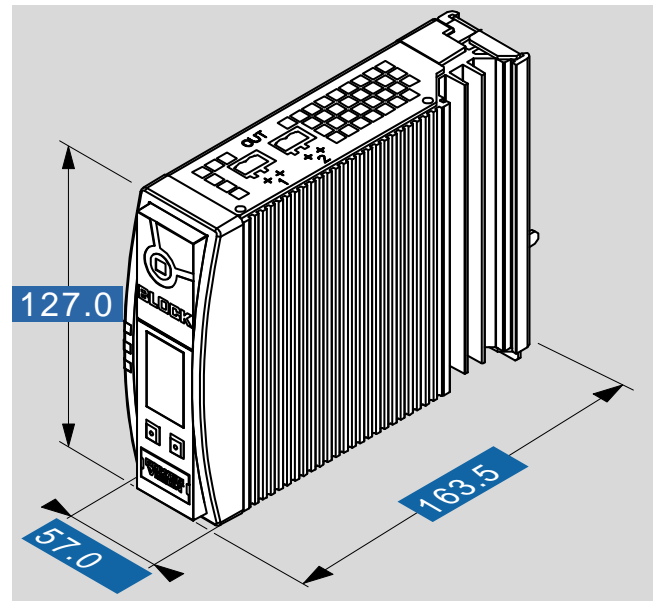
UL/CSA 60950 recognised, UL508 listed



Uninterruptible power supply PVUA 24/24-20

| Type | PVUA 24/24-20 |
|---|---------------------------------------|
| Electrical data | |
| Input | |
| Input rated voltage | 24 Vdc |
| Input voltage range | 18 - 29 Vdc |
| Current input (idle/charging/max.) | 0.1 / 1.5 / 21.5 A |
| Switching threshold for buffer mode | 20 - 25.5 Vdc |
| Output | |
| Output voltage normal operation | typ. U _{in} - 1 Vdc (20 A) |
| Output rated voltage, battery mode | typ. battery voltage - 1 Vdc (20 A) |
| Output rated voltage | 24 Vdc |
| Resistance to reverse feed max. | 35 Vdc |
| Output rated current | 20.00 A |
| Internal fuse | 30 A (slow-blow) |
| Overload behaviour | Constant current with cyclic shutdown |
| Parallel connection | No |
| Serial operation | No |
| max. Power loss idling/nominal load | 15 / 30 W |
| Efficiency | typ. 96.3 % |
| Storage medium | |
| Type of the storage medium | Accumulator, external |
| Rated charging voltage | 24 Vdc |
| Charge voltage range | 26 to 29.5 Vdc |
| Temperaturnachführung der Ladespannung | automatical or manual |
| Charging current | max. 1.0 A |
| Recommended storage medium | 24 Vdc / 7 Ah, 12 Ah |
| Signaling | |
| Operating status | LED green, LED red, LED yellow |
| Potential-free signal contact | Changeover contact, configurable |
| Active signal outputs | 3 x 24 Vdc, 2 configurable |
| Remote shutdown in buffer mode operation | Yes (break contact) |
| Display, interface | Yes, RS 232 |
| Approvals | |
| Approvals | cURus, cULus |
| Environment | |
| Ambient temperature | -10° C to +60° C |
| Storage temperature | -25 °C to +85 °C |
| Safety and protection | |
| Protection index | IP 20 |
| Accessory | |
| Connector for signalling | PV-CON (optional) |
| Adapter cable for interface | PV-KOK2 (optional) |
| Side DIN rail mounting | PV-TS35M (optional) |
| Direct screw fastening plate for lateral mounting | PV-WB2 (optional) |
| Order numbers | |
| Order Number | PVUA 24/24-20 |

| Type | PVUA 24/24-20 |
|--|--------------------------|
| Mechanical data | |
| Terminal and mounting | |
| Terminals input, (spring clamp terminal, pluggable) | max. 10 mm ² |
| Terminals output, (spring clamp terminal, pluggable) | max. 10 mm ² |
| Terminals signalling, (spring clamp terminal, pluggable) | max. 0.5 mm ² |
| Mounting position | vertical |
| Terminals storage medium, (spring clamp terminal, pluggable) | max. 10 mm ² |
| Fixing method | DIN Rail system TS35 |
| Measures and weights | |
| Weight | 0.80 kg |



Subject to change.