

## **Category 6 *SPEEDY* RJ45 Plugs**



### **Category 6 SPEEDY RJ45 Plugs, unshielded (PXSPDY6b)**

Our **SPEEDY** RJ45 plugs are designed to simplify twisted pair terminations by allowing the wire pairs to be easily inserted through the plug and out of the front. This allows the installer to easily check the wiring order before crimping the connector. Twist is maintained more easily enabling a better performing crimp. Waste is minimised and the plugs are suitable for either stranded or solid wires.

#### **Features**

- Allows Category 6 twisted pair wires to be inserted through the body and pulled out of the front to ensure the correct wiring order before crimping
- By pulling the cores into the plug, twists can easily be maintained up to the contacts, enabling fully rated category performance
- Contact blades are suitable for stranded or solid wire cores from 22-26 AWG (0.65 – 0.40mm), with insulation up to  $0.98 \pm 0.04$ mm O.D
- Perfect solution for rapid termination
- Suitable for termination of solid or stranded UTP cables with sheath O.D. of 5.0 – 6.5mm
- Faults and failures minimised
- Simple one piece design
- Less cable scrap and wastage
- **N.B. Must be used with suitable crimp tool i.e. TRCSPDY3**



- Designed for use with transparent polycarbonate flush strain relief boots (PSPDY6) and coloured PVC flush strain relief boots (PS6)  
[http://www.tuk.co.uk/tuk\\_live/product\\_details.php?category\\_id=18&pld=329](http://www.tuk.co.uk/tuk_live/product_details.php?category_id=18&pld=329)  
[http://www.tuk.co.uk/tuk\\_live/product\\_details.php?category\\_id=&pld=371](http://www.tuk.co.uk/tuk_live/product_details.php?category_id=&pld=371)

## **Specifications**

- Materials:  
Housing: Polycarbonate UL94-V0  
Contact pin: 50 $\mu$ m/1.27  $\mu$ m gold plating over nickel over phosphor bronze
- Electrical:  
Contact resistance: 30milli $\Omega$  max.  
Insulation resistance: DC 300V, 100 Mega $\Omega$  min.  
Dielectric withstanding voltage: 300V AC for one minute
- Mechanical:  
Working temperature: -25-55 $^{\circ}$ C  
Durability: 1000 mating cycles min.  
Tensile strength between plug and jack is higher than 7.7kgf

## **Packaging:**

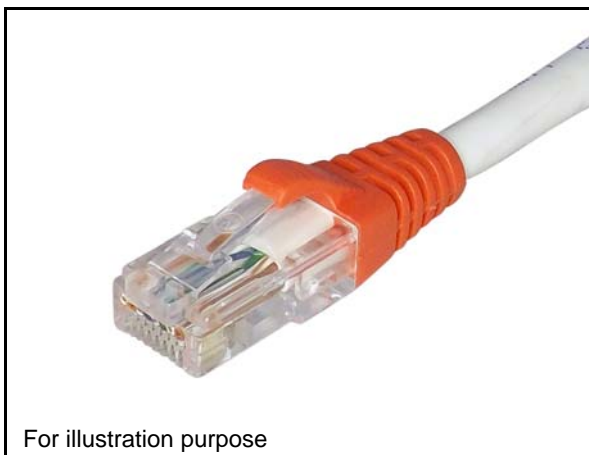
Supplied in polybags of 10 then 100 then 500

**10:** PXSPDY6b#10

**100:** PXSPDY6b#100

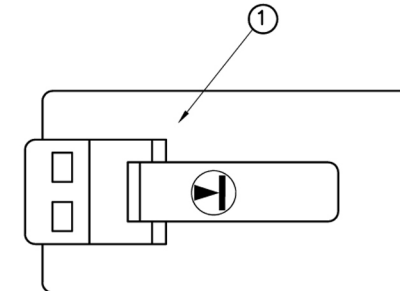
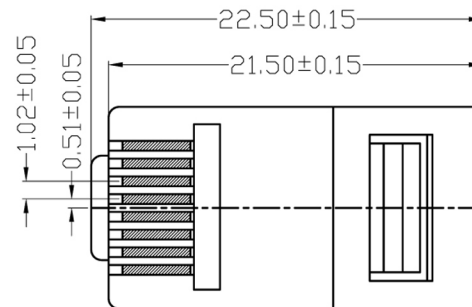
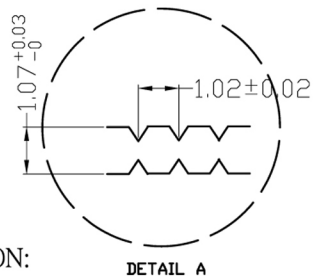
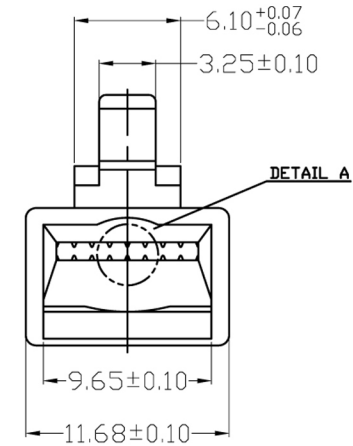
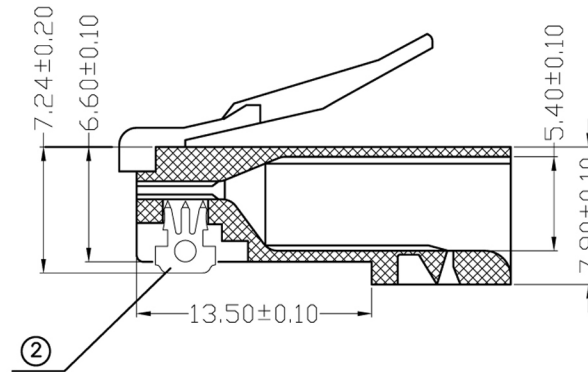
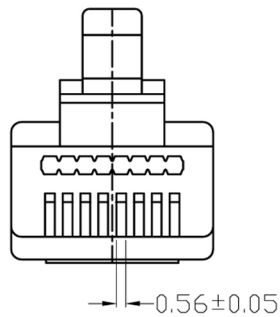
**500:** PXSPDY6b#500

**EAN number:** 505386506887



ROHS Compliant

Code: PXSPDY6b



**SPECIFICATION:**

**1.MATERIAL:**

HOUSING PLASTIC:POLYCARBONATE UL94-V0

CONTACT Pin: 50"μ/1.27 μm gold plating over nickel over phosphor bronze

**2. ELECTRICAL:**

CONTACT RESISTANCE:30 MILLIOHM MAX,

INSULATION RESISTANCE:DC300V, 100 MEGOHM MIN,

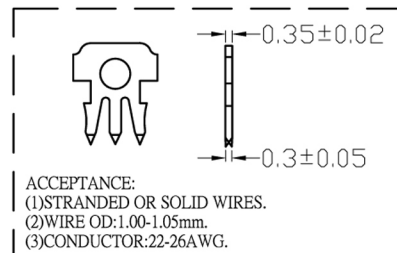
DIELECTRIC WITHSTANDING VOLTAGE:300V AC FOR 1 MINUTE

**3.MECHANICAL:**

WORKING TEMPERATURE:-25~55°C

DURABILITY:1000 MATING CYCLES MIN

TENSILE STRENGTH BETWEEN PLUG AND JACK IS HIGHER THAN 7.7kgf



②	CONTACT Pin	PHOSPHOR BRONZE	50"μ GOLD PLATED OVER NICKEL 3-fork
①	Housing	PC	8P8C-5.4
NO.	NAME	Material	Specifcation