

# NBC-M12MSX/10,0-94F/R4AC - Network cable



1407474

<https://www.phoenixcontact.com/pc/products/1407474>

Please be informed that the data shown in this PDF document is generated from our online catalog. Please find the complete data in the user documentation. Our general terms of use for downloads are valid.



Network cable, Ethernet CAT6<sub>A</sub> (10 Gbps), CC-Link IE CAT6<sub>A</sub> (10 Gbps), 8-position, PUR halogen-free, water blue RAL 5021, shielded (Advanced Shielding Technology), Plug straight M12, coding: X / IP67, on Plug straight RJ45 / IP20, cable length: 10 m

## Commercial data

Item number	1407474
Packing unit	1 pc
Minimum order quantity	1 pc
Product key	AF1CMJ
Catalog page	Page 403 (C-2-2019)
GTIN	4046356776738
Weight per piece (including packing)	487.8 g
Weight per piece (excluding packing)	433.4 g
Customs tariff number	85444290
Country of origin	PL

1407474

<https://www.phoenixcontact.com/pc/products/1407474>

## Technical data

### Notes

General	Further products with variable cable type and variable cable length can be found in the accessories section
---------	---

### Product properties

Product type	Data cable preassembled
Application	Standard
Sensor type	Ethernet
Number of positions	8
Shielded	yes
Coding	X

### Interfaces

Bus system	Ethernet
Signal type/category	Ethernet CAT6 <sub>A</sub> , 10 Gbps CC-Link IE CAT6 <sub>A</sub> , 10 Gbps

### Signaling

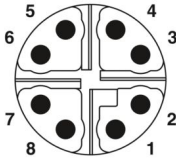
Status display	no
Status display present	No

### Electrical properties

Nominal voltage $U_N$	48 V AC
	60 V DC
Nominal current $I_N$	0.5 A
Transmission medium	Copper
Transmission characteristics (category)	CAT6 <sub>A</sub>

### Connector

#### Connection 1

Dimensional drawing	 <p>Pin assignment of M12 plug, 8-pos., X-coded, pin side view</p>
Type	M12 Plug, straight, 8-position, shielded (Advanced Shielding Technology), Keying: X
Number of positions	8
Shielded	yes
Shielding	Advanced Shielding Technology

# NBC-M12MSX/10,0-94F/R4AC - Network cable

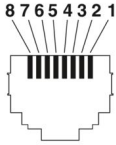


1407474

<https://www.phoenixcontact.com/pc/products/1407474>

Signal type/category	Ethernet CAT6 <sub>A</sub> , 10 Gbps CC-Link IE CAT6 <sub>A</sub> , 10 Gbps
Insertion/withdrawal cycles	≥ 100
Insulation resistance	≥ 100 Ω
Overvoltage category	II
Degree of pollution	3
Tightening torque	0.4 Nm (M12 connector)
Material Contact	CuZn
Material Contact surface	Ni/Au
Material Contact carrier	PA 6.6
Material Screw connection	Die-cast zinc, nickel-plated
Material Grip body	TPU, hardly inflammable, self-extinguishing
Material Seal	FKM
Flammability rating according to UL 94	V0
Degree of protection	IP65 IP67
Ambient temperature (operation)	-25 °C ... 85 °C
Standard designation	M12 connector
Standards/regulations	IEC 61076-2-109

## Connection 2

Dimensional drawing	 <p>Connector pin assignment plug RJ45</p>
Type	RJ45 Plug, straight, 8-position
Number of positions	8
Signal type/category	Ethernet CAT6 <sub>A</sub> , 10 Gbps CC-Link IE CAT6 <sub>A</sub> , 10 Gbps
Insertion/withdrawal cycles	≥ 750
Insulation resistance	≥ 100 Ω
Overvoltage category	I
Degree of pollution	2
Material Contact	CuSn
Material Contact surface	Ni/Au
Material Contact carrier	PC
Material Housing	PA
Flammability rating according to UL 94	V2
Degree of protection	IP20 (RJ45 connector)

# NBC-M12MSX/10,0-94F/R4AC - Network cable



1407474


<https://www.phoenixcontact.com/pc/products/1407474>

Ambient temperature (operation)	-25 °C ... 60 °C
---------------------------------	------------------

## Cable/line

Cable length	10 m
--------------	------

### Ethernet 10 Gbit [94F]

Dimensional drawing	
Cable weight	42 kg/km
UL AWM Style	20963 (80°C/30 V)
Number of positions	8
Shielded	yes
Cable type	Ethernet 10 Gbit [94F]
Conductor structure	4x2xAWG26/7; S/FTP
Signal runtime	5.13 ns/m
Conductor structure signal line	7x 0.16 mm
AWG signal line	26
Conductor cross section	4x 2x 0.14 mm <sup>2</sup>
Wire diameter incl. insulation	1.04 mm
External cable diameter	6.40 mm ±0.2 mm
Outer sheath, material	PUR
External sheath, color	water blue RAL 5021
Conductor material	Bare Cu litz wires
Material wire insulation	Foamed PE
Single wire, color	white/blue-blue, white/orange-orange, white/green-green, white/brown-brown
Thickness, outer sheath	0.65 mm
Twisted pairs	2 cores to the pair
Type of pair shielding	Aluminum-lined foil
Overall twist	4 pairs for core
Optical shield covering	70 %
Insulation resistance	≥ 500 MΩ*km
Loop resistance	≤ 290.00 Ω/km
Wave impedance	100 Ω ±5 Ω (at 100 MHz)
Cable capacity	47 nF/km
Nominal voltage, cable	≤ 100 V
Test voltage Core/Core	700 V (50 Hz, 1 min.)
Test voltage Core/Shield	700.00 V (50 Hz, 1 min.)

# NBC-M12MSX/10,0-94F/R4AC - Network cable



1407474

<https://www.phoenixcontact.com/pc/products/1407474>

Minimum bending radius, fixed installation	4 x D
Minimum bending radius, flexible installation	8 x D
Smallest bending radius, fixed installation	26 mm
Smallest bending radius, movable installation	52 mm
Tensile strength	≤ 100 N
Near end crosstalk attenuation (NEXT)	75.3 dB (with 1 MHz)
	66.3 dB (at 4 MHz)
	61.8 dB (at 8 MHz)
	60.3 dB (at 10 MHz)
	57.2 dB (at 16 MHz)
	55.8 dB (at 20 MHz)
	54.3 dB (at 25 MHz)
	52.8 dB (at 31.25 MHz)
	48.4 dB (at 62.5 MHz)
	45.3 dB (at 100 MHz)
	40.8 dB (at 200 MHz)
	39.3 dB (at 250 MHz)
	38.1 dB (at 300 MHz)
38.1 dB (at 400 MHz)	
38.1 dB (at 500 MHz)	
Power-summated near end crosstalk attenuation (PSNEXT)	72.3 dB (with 1 MHz)
	63.3 dB (at 4 MHz)
	58.8 dB (at 8 MHz)
	57.3 dB (at 10 MHz)
	54.2 dB (at 16 MHz)
	52.8 dB (at 20 MHz)
	51.3 dB (at 25 MHz)
	49.9 dB (at 31.25 MHz)
	45.4 dB (at 62.5 MHz)
	42.3 dB (at 100 MHz)
	37.8 dB (at 200 MHz)
	36.3 dB (at 250 MHz)
	35.1 dB (at 300 MHz)
33.3 dB (at 400 MHz)	
31.8 dB (at 500 MHz)	
Return attenuation (RL)	20 dB (with 1 MHz)
	23 dB (at 4 MHz)
	24.5 dB (at 8 MHz)
	25 dB (at 10 MHz)
	25 dB (at 16 MHz)
	25 dB (at 20 MHz)
	24.2 dB (at 25 MHz)
	23.3 dB (at 31.25 MHz)
	20.7 dB (at 62.5 MHz)

# NBC-M12MSX/10,0-94F/R4AC - Network cable



1407474

<https://www.phoenixcontact.com/pc/products/1407474>

	19 dB (at 100 MHz)
	16.4 dB (at 200 MHz)
	15.6 dB (at 250 MHz)
	15.6 dB (at 300 MHz)
	15.6 dB (at 400 MHz)
	15.6 dB (at 500 MHz)
Shield attenuation	3.1 dB (with 1 MHz)
	5.7 dB (at 4 MHz)
	8 dB (at 8 MHz)
	8.9 dB (at 10 MHz)
	11.2 dB (at 16 MHz)
	12.6 dB (at 20 MHz)
	14.1 dB (at 25 MHz)
	15.8 dB (at 31.25 MHz)
	22.5 dB (at 62.5 MHz)
	28.7 dB (at 100 MHz)
	41.4 dB (at 200 MHz)
	46.6 dB (at 250 MHz)
	51.4 dB (at 300 MHz)
	60.1 dB (at 400 MHz)
	67.9 dB (at 500 MHz)
	≥ 80.00 dB (at 30 ... 100 MHz)
Halogen-free	according to IEC 60754-1
Flame resistance	according to IEC 60332-1-2
	in accordance with UN ECE-R 118.03
Resistance to oil	in accordance with DIN EN 60811-2-1
Ambient temperature (operation)	-40 °C ... 80 °C (cable, fixed installation)
	-20 °C ... 80 °C (Cable, flexible installation)
Ambient temperature (installation)	-20 °C ... 80 °C

## Environmental and real-life conditions

### Ambient conditions

Degree of protection	IP65 (M12 connector)
	IP67 (M12 connector)
	IP20 (RJ45 connector)

## Standards and regulations

### M12

Standard designation	M12 connector
Standards/specifications	IEC 61076-2-109

# NBC-M12MSX/10,0-94F/R4AC - Network cable

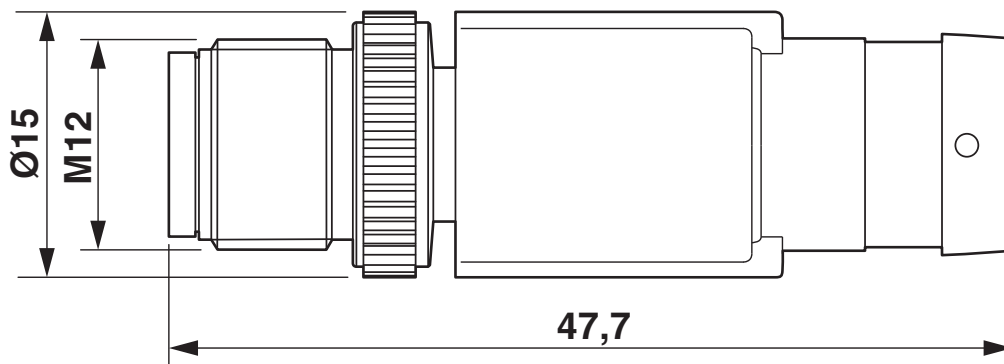


1407474

<https://www.phoenixcontact.com/pc/products/1407474>

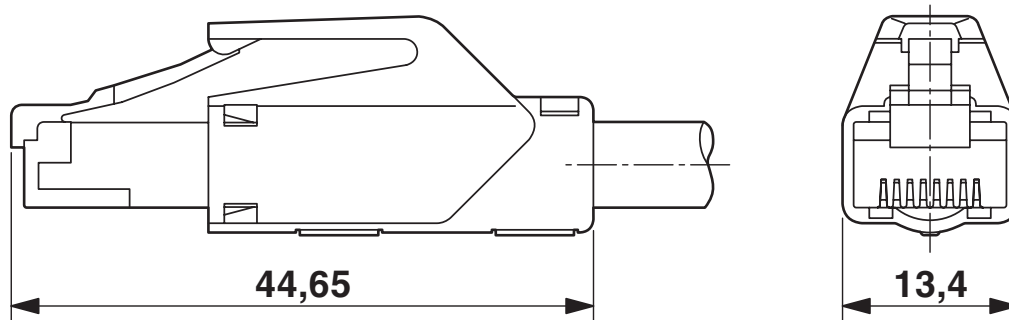
## Drawings

Dimensional drawing



Plug, M12 x 1, straight, shielded

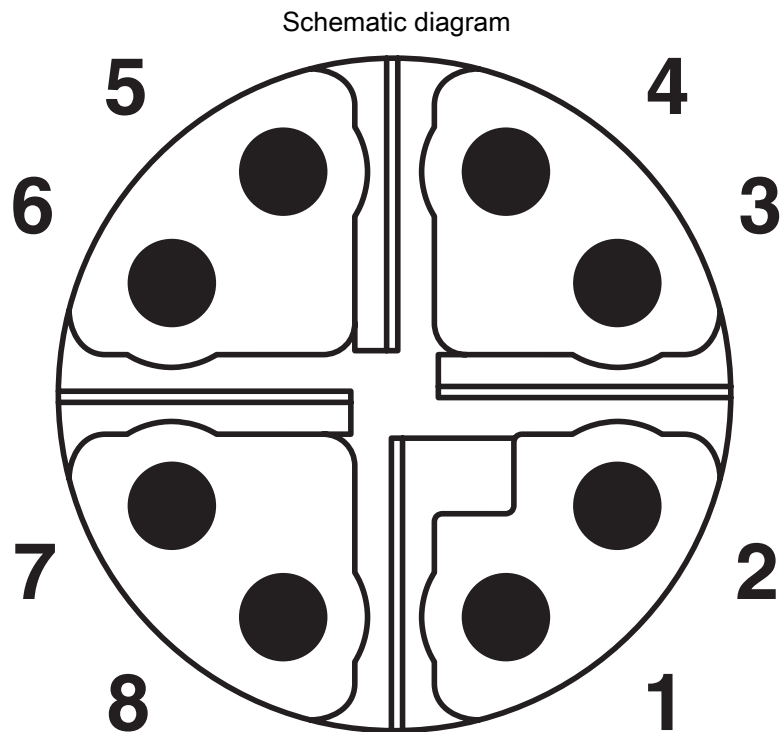
Dimensional drawing



RJ45 connector, IP20

1407474

<https://www.phoenixcontact.com/pc/products/1407474>



Pin assignment of M12 plug, 8-pos., X-coded, pin side view

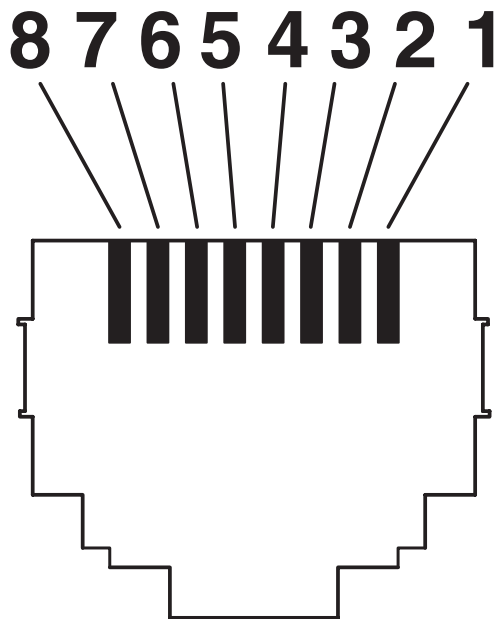
# NBC-M12MSX/10,0-94F/R4AC - Network cable

1407474

<https://www.phoenixcontact.com/pc/products/1407474>



Schematic diagram



Connector pin assignment plug RJ45

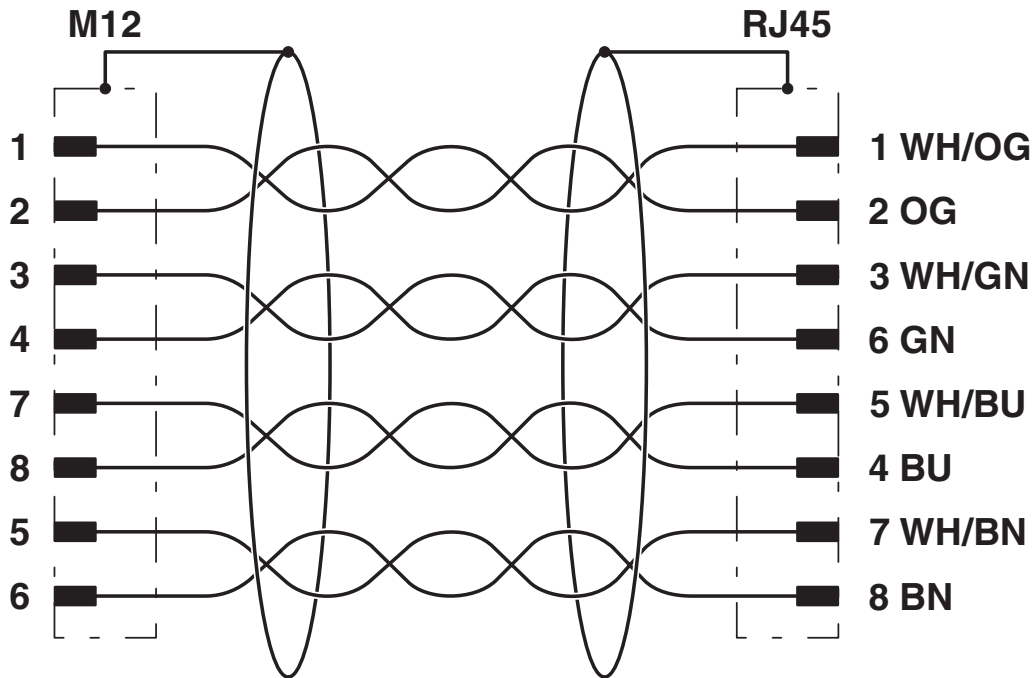
# NBC-M12MSX/10,0-94F/R4AC - Network cable



1407474

<https://www.phoenixcontact.com/pc/products/1407474>

Circuit diagram



Contact assignment of the M12 and RJ45 plug

# NBC-M12MSX/10,0-94F/R4AC - Network cable





1407474

<https://www.phoenixcontact.com/pc/products/1407474>

## Approvals

To download certificates, visit the product detail page: <https://www.phoenixcontact.com/pc/products/1407474>

 <b>UL Listed</b> Approval ID: FILE E 335024				
	Nominal voltage $U_N$	Nominal current $I_N$	Cross section AWG	Cross section $\text{mm}^2$
	30 V	0.5 A	-	-

 <b>cUL Listed</b> Approval ID: FILE E 335024				
	Nominal voltage $U_N$	Nominal current $I_N$	Cross section AWG	Cross section $\text{mm}^2$
	30 V	0.5 A	-	-

 <b>EAC-RoHS</b> Approval ID: RU D-DE.HB35.B.00387	
---	--

<b>cULus Listed</b>	
---------------------	--

# NBC-M12MSX/10,0-94F/R4AC - Network cable



1407474

<https://www.phoenixcontact.com/pc/products/1407474>

## Classifications

### ECLASS

ECLASS-11.0	27060307
ECLASS-12.0	27060307
ECLASS-13.0	27060307

### ETIM

ETIM 9.0	EC001855
----------	----------

### UNSPSC

UNSPSC 21.0	26121600
-------------	----------

# NBC-M12MSX/10,0-94F/R4AC - Network cable



1407474

<https://www.phoenixcontact.com/pc/products/1407474>

## Environmental product compliance

### EU RoHS

Fulfills EU RoHS substance requirements	Yes, No exemptions
---	--------------------

### China RoHS

Environment friendly use period (EFUP)	EFUP-E
	No hazardous substances above the limits

### EU REACH SVHC

REACH candidate substance (CAS No.)	No substance above 0.1 wt%
-------------------------------------	----------------------------

### EF3.0 Climate Change

CO2e kg	8.282 kg CO2e
---------	---------------

Phoenix Contact 2025 © - all rights reserved  
<https://www.phoenixcontact.com>

PHOENIX CONTACT GmbH & Co. KG  
Flachsmarktstraße 8  
D-32825 Blomberg  
+49 (0) 5235-3 00  
[info@phoenixcontact.com](mailto:info@phoenixcontact.com)