

## DIN rail perforated - NS 35/ 7,5 PERF 500MM - 1207650

Please be informed that the data shown in this PDF Document is generated from our Online Catalog. Please find the complete data in the user's documentation. Our General Terms of Use for Downloads are valid (<http://phoenixcontact.com/download>)



DIN rail perforated, Standard profile, width: 35 mm, height: 7.5 mm, in acc. with EN 60715: 2001, material: Steel, galvanized, passivated with a thick layer, length: 500 mm, color: silver

RoHS

### Key Commercial Data

|                                      |   |
|--------------------------------------|---|
| Packing unit                         | 1 STK   |
| Minimum order quantity               | 20 STK  |
| GTIN                                 | <br>4 046356 366496 |
| GTIN                                 | 4046356366496   |
| Weight per Piece (excluding packing) | 160.000 g   |
| Custom tariff number                 | 72166190  |
| Country of origin                    | Germany   |

### Technical data

#### Dimensions

|                    |          |
|--------------------|----------|
| Height             | 7.5 mm   |
| Length             | 500 mm   |
| Width              | 35 mm    |
| Hole width         | 15.00 mm |
| Hole height        | 6.20 mm  |
| Drill hole spacing | 25.00 mm |

#### General

|          |   |
|----------|---|
| Material | Steel                                     |
| Coating  | galvanized, passivated with a thick layer |
| Color    | silver                                    |

# DIN rail perforated - NS 35/ 7,5 PERF 500MM - 1207650

## Technical data

### Standards and Regulations

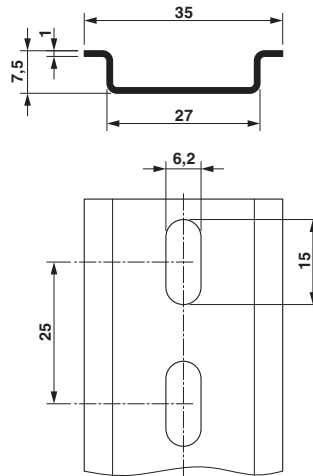
|                                  |                             |
|----------------------------------|-----------------------------|
| Test standard                    | in acc. with EN 60715: 2001 |
| Connection in acc. with standard | IEC/EN                      |

### Environmental Product Compliance

|            |   |
|------------|---|
| China RoHS | Environmentally friendly use period: unlimited = EFUP-e |
|            | No hazardous substances above threshold values          |

## Drawings

Dimensional drawing



## Classifications

### eCl@ss

|            |          |
|------------|----------|
| eCl@ss 4.0 | 23150301 |
| eCl@ss 4.1 | 23150301 |
| eCl@ss 5.0 | 27141143 |
| eCl@ss 5.1 | 27141143 |
| eCl@ss 6.0 | 27141143 |
| eCl@ss 7.0 | 27141143 |
| eCl@ss 8.0 | 27400602 |
| eCl@ss 9.0 | 27400602 |

### ETIM

|          |          |
|----------|----------|
| ETIM 2.0 | EC001285 |
| ETIM 3.0 | EC001285 |

## DIN rail perforated - NS 35/ 7,5 PERF 500MM - 1207650

### Classifications

#### ETIM

|          |          |
|----------|----------|
| ETIM 4.0 | EC000212 |
| ETIM 5.0 | EC000212 |
| ETIM 6.0 | EC001285 |

#### UNSPSC

|               |          |
|---------------|----------|
| UNSPSC 6.01   | 30212109 |
| UNSPSC 7.0901 | 39121708 |
| UNSPSC 11     | 39121708 |
| UNSPSC 12.01  | 39121708 |
| UNSPSC 13.2   | 39121708 |