

MCR-SL-D-FIT - Digital display



2864024

<https://www.phoenixcontact.com/gb/products/2864024>

Please be informed that the data shown in this PDF document is generated from our online catalog. Please find the complete data in the user documentation. Our general terms of use for downloads are valid.

MCR digital display, for measuring and displaying frequencies, pulses and times, 6-fig. display



Commercial data

Item number	2864024
Packing unit	1 pc
Minimum order quantity	1 pc
Sales key	CK1311
Product key	CK1311
Catalog page	Page 187 (C-5-2019)
GTIN	4017918976477
Weight per piece (including packing)	97.7 g
Weight per piece (excluding packing)	92.6 g
Customs tariff number	90291000
Country of origin	DE

Technical data

Product properties

Product type	Digital displays
Configuration	Keyboard

System properties

Functionality

Configuration	Keyboard
---------------	----------

Electrical properties

Supply

Supply voltage range	10 V DC ... 30 V DC
Max. current consumption	max. 40 mA

Input data

Measurement:

Reset input	Setting function at setting value or zero
Available input sources	NPN/PNP transistor outputs, floating relay contacts
Polarity	Can be programmed jointly for all inputs
Impulse form	Any (Schmitt trigger input), rectangular pulse 1:1 at maximum frequency
Pulse time	min. 5 μ s
Input frequency	max. 60 kHz (CntDir) max. 25 kHz (UpDown / Up.Up/Quad 1/ Quad 2) max. 15 kHz ((Quad 4))

Signal

Signal level "1" signal	$0.6 \times U_B \dots 30 \text{ V DC}$
Signal level "0" signal	$0 \text{ V DC} \dots 0.2 \times U_B$
Switching level "1" signal	$4 \text{ V DC} \dots 30 \text{ V DC}$
Switching level "0" signal	$0 \text{ V DC} \dots 2 \text{ V DC}$
Input resistance of voltage input	10 k Ω
Measuring rate	$0.1 \text{ s}^{-1} / 0.5 \text{ s}^{-1}$

Output data

Switching: Transistor

Maximum switching voltage	30 V DC
Max. switching current	10 mA

Signal

Number of positions displayed	6
Display	7-segment LED; 8 mm; red

MCR-SL-D-FIT - Digital display



2864024

<https://www.phoenixcontact.com/gb/products/2864024>

Connection data

Connection method	Screw connection
Stripping length	8 mm
Screw thread	M3
Conductor cross section rigid	0.14 mm ² ... 1 mm ²
Conductor cross section flexible	0.14 mm ² ... 1.5 mm ²
Conductor cross section AWG	26 ... 16

Dimensions

Width	48 mm
Height	24 mm
Depth	68 mm

Material specifications

Housing material	Macrolon 2405
------------------	---------------

Environmental and real-life conditions

Ambient conditions

Degree of protection	IP65 (Front)
Ambient temperature (operation)	-20 °C ... 65 °C (10 V DC ... 26 V DC) -20 °C ... 55 °C (> 26 V DC ... 30 V DC)
Ambient temperature (storage/transport)	-25 °C ... 70 °C

Approvals

CE

Certificate	CE-compliant
-------------	--------------

UL, USA/Canada

Identification	UL 863
----------------	--------

EMC data

Noise immunity	EN 61000-6-2 EN 61000-4-2
Noise emission	EN 55011 / class B

Mounting

Mounting type	Panel mount DIN rail
---------------	-------------------------

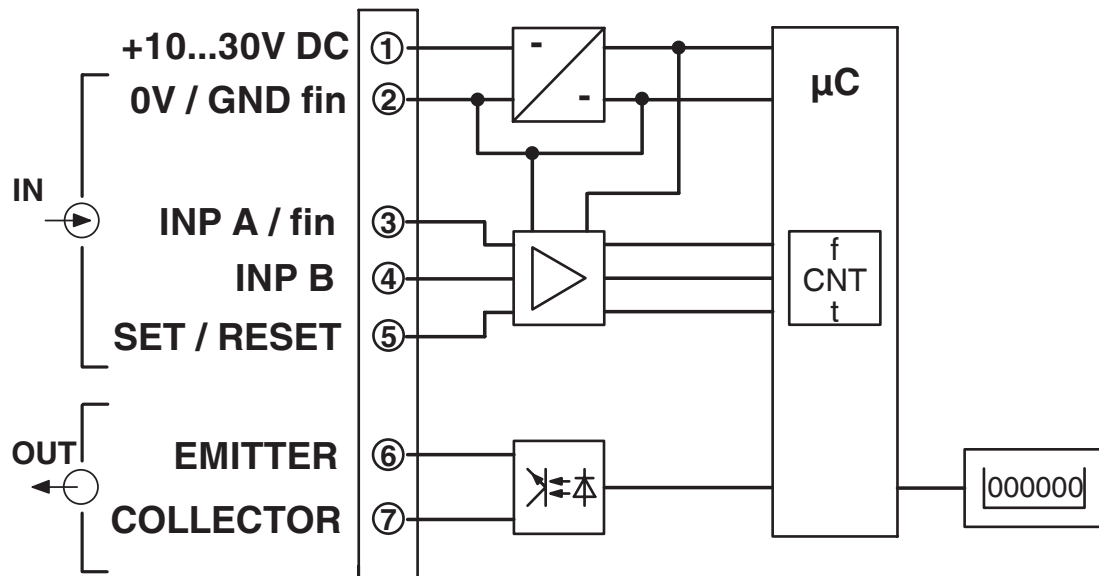
MCR-SL-D-FIT - Digital display

2864024

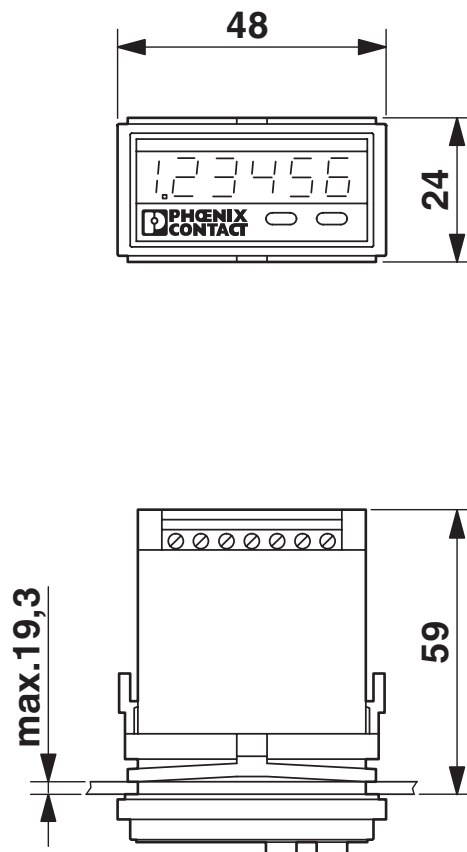
<https://www.phoenixcontact.com/gb/products/2864024>

Drawings

Circuit diagram



Dimensional drawing



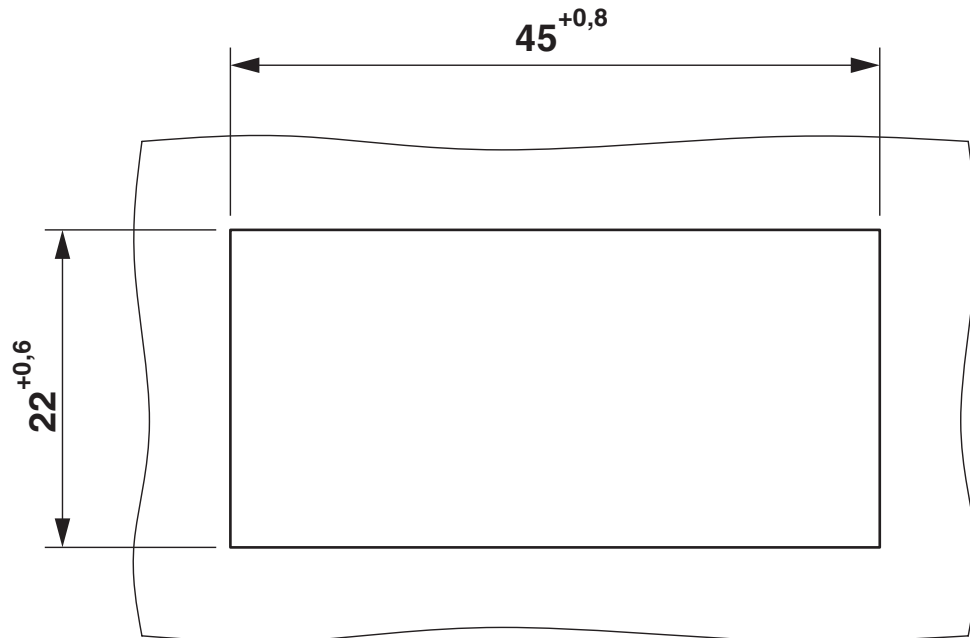
MCR-SL-D-FIT - Digital display

2864024

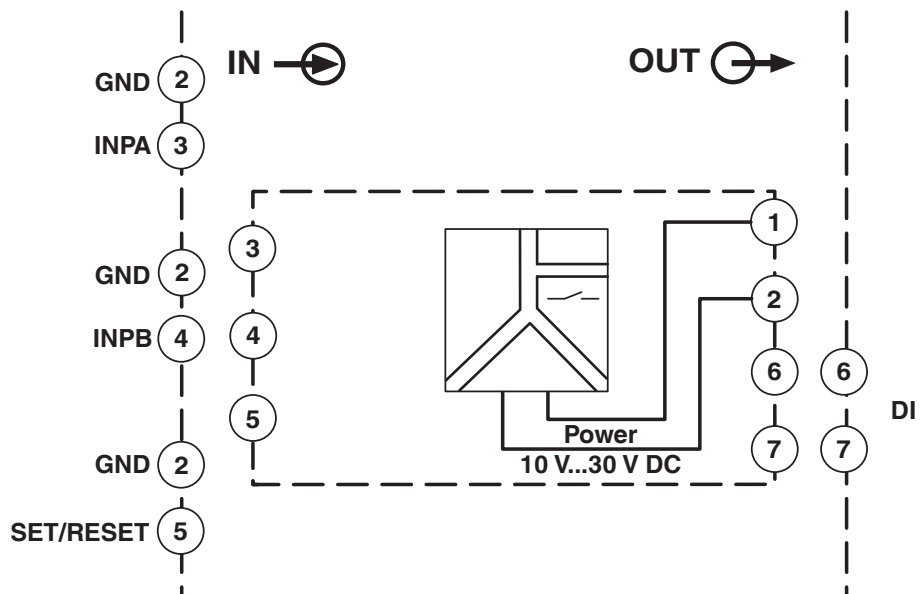
<https://www.phoenixcontact.com/gb/products/2864024>



Dimensional drawing



Block diagram



Block diagram MCR-SL-D-FIT

MCR-SL-D-FIT - Digital display



2864024

<https://www.phoenixcontact.com/gb/products/2864024>

Approvals

To download certificates, visit the product detail page: <https://www.phoenixcontact.com/gb/products/2864024>



cUL Recognized

Approval ID: FILE E 197577



UL Recognized

Approval ID: FILE E 197577



EAC

Approval ID: RU*DE.*08.B.01522/19

cULus Recognized

MCR-SL-D-FIT - Digital display



2864024

<https://www.phoenixcontact.com/gb/products/2864024>

Classifications

ECLASS

ECLASS-11.0	27210301
ECLASS-13.0	27210301
ECLASS-12.0	27210301

ETIM

ETIM 9.0	EC011349
----------	----------

UNSPSC

UNSPSC 21.0	39121000
-------------	----------

MCR-SL-D-FIT - Digital display

2864024

<https://www.phoenixcontact.com/gb/products/2864024>



Environmental product compliance

China RoHS

Environment friendly use period (EFUP)	EFUP-E
	No hazardous substances above the limits

EU REACH SVHC

REACH candidate substance (CAS No.)	No substance above 0.1 wt%
-------------------------------------	----------------------------

MCR-SL-D-FIT - Digital display

2864024

<https://www.phoenixcontact.com/gb/products/2864024>



Accessories

MCR-SL-D-RA - DIN rail adapter

2810081

<https://www.phoenixcontact.com/gb/products/2810081>



DIN rail adapter for digital displays in a 24x48 mm housing. Suitable for 35 mm DIN rails in acc. with EN 60715.

Phoenix Contact 2024 © - all rights reserved
<https://www.phoenixcontact.com>

PHOENIX CONTACT Ltd
Halesfield 13, Telford
Shropshire, TF7 4PG
01952 681700
info@phoenixcontact.co.uk